

7/8" 4+PE poles, female angled connector

7/8" 4+PE poles, male angled connector

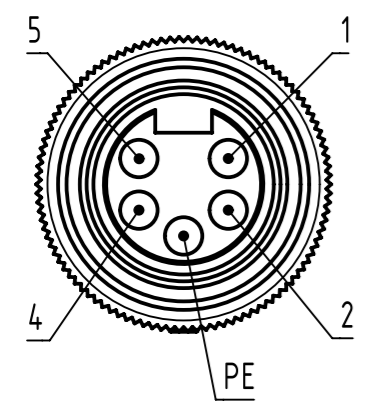
↑ X

↑ Y

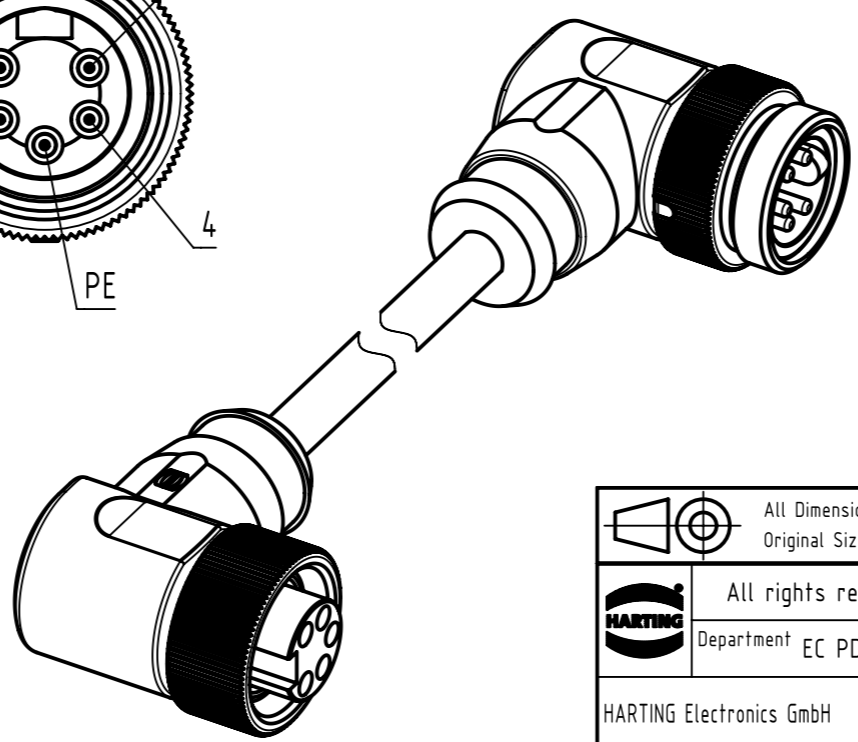
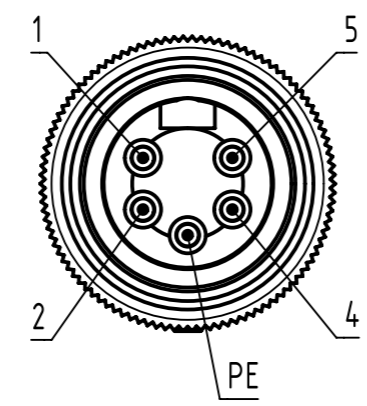
X ↻ 90°

Y ↻ 90°

Loading-Plan:



- 1 — black — 1
- 2 — blue — 2
- PE — green-yellow — PE
- 4 — brown — 4
- 5 — white — 5



- Protection level: IP67
- Temperature range: -25°C ... +80°C

length in "1m" step	100	XXX=000
	99	XXX=990
	.	.
	12	XXX=120
	11	XXX=110
length in "0.1m" step	10	XXX=100
	9.9	XXX=099
	9.8	XXX=098
	.	.
	0.4	XXX=004
	0.3	XXX=003
	0.2	XXX=002
	0.1	XXX=001
Step	a [m]	XXX

4.0 to 100	+1%
0.1 to 3.9	+0.04
a [m]	Tolerance

Part no.	213498995XXXXXX
----------	-----------------

Type of cable	XX
PVC grey, 5x1.5mm ²	XX=97
PUR black, 5x1.5mm ²	XX=98

All rights reserved Department EC PD - RO		All Dimensions in mm Original Size DIN A3	Scale 1.5:1	Free size tol.	Ref. Sub.
Created by TAMAS	Inspected by AVRAM	Standardisation HOFFMANN	Date 2014-07-01	State Final Release	Doc-Key / ECM-Nr. 100581049/UGD/009/A 50000076597
HARTING Electronics GmbH D-32339 Espelkamp		Title 7/8 Cable Assembly		Type TB	Number 213498995XXXXXX
				Rev. A	Page 1/1