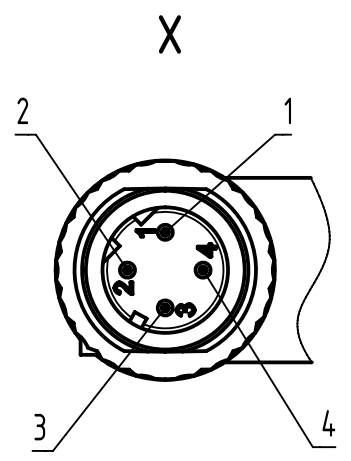
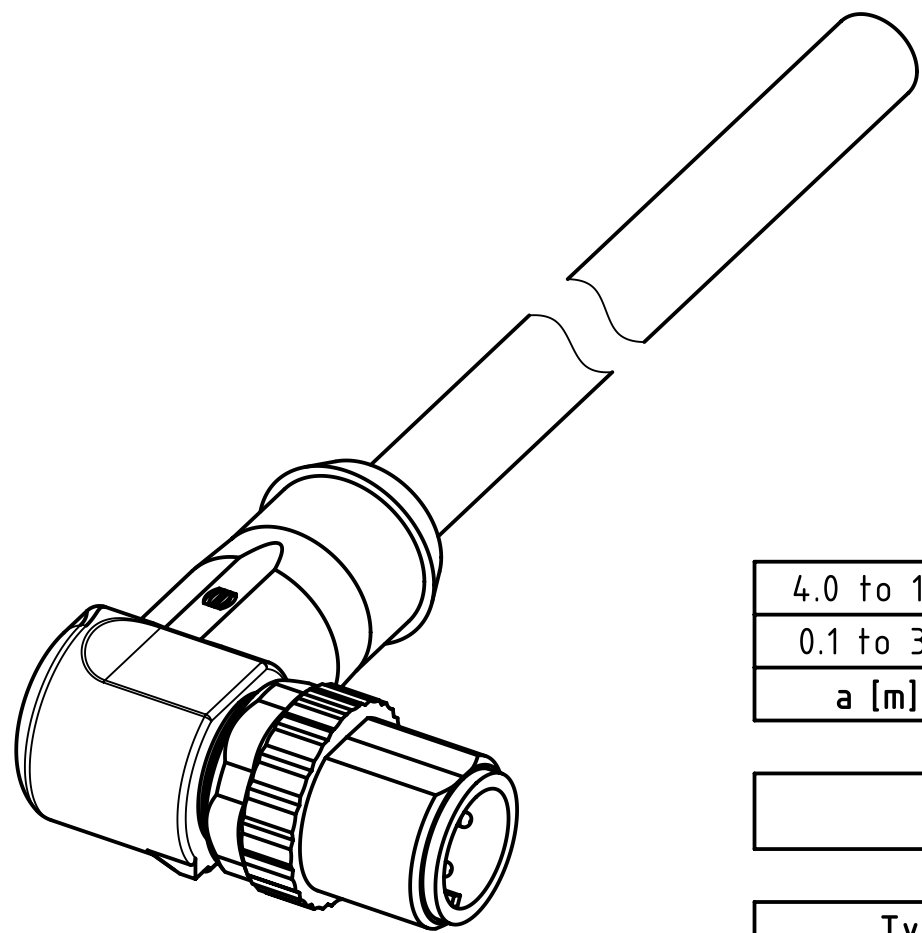


X↑



Shield
 1 yellow
 2 white
 3 orange
 4 blue



4.0 to 100	+1%
0.1 to 3.9	+0.04
a [m]	Tolerance

length in "1m" step	100	XXX=000
	99	XXX=990
	.	.
	12	XXX=120
	11	XXX=110
length in "0.1m" step	10	XXX=100
	9.9	XXX=099
	9.8	XXX=098
	.	.
	0.4	XXX=004
	0.3	XXX=003
	0.2	XXX=002
0.1	XXX=001	
Step	a [m]	XXX

Part no.	213494004XXXXX
Type of cable	XX
PVC, green, 4xAWG22/7	XX=05
PUR, green, 2x2xAWG22/7	XX=77

- Protection level: IP67
 - Temperature range: -30°C ... +70°C

All rights reserved Department EC PD - RO HARTING Electronics GmbH D-32339 Espelkamp	All Dimensions in mm Original Size DIN A3	Scale 2:1	Free size tol.	Ref. Sub.
	Created by MUNTEANV	Inspected by AVRAM	Standardisation HOFFMANN	Date 2015-11-27
Title M12 D-coded Cable Assembly				Doc-Key / ECM-Nr. 100588495/UGD/000/B 50000097719
Type TB		Number 213494004XXXXX		Rev. B
				Page 1/1