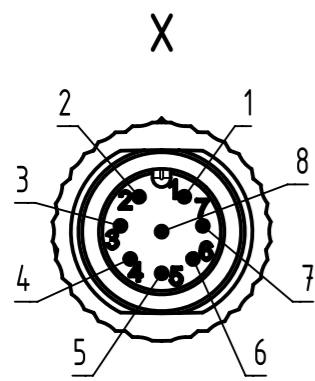


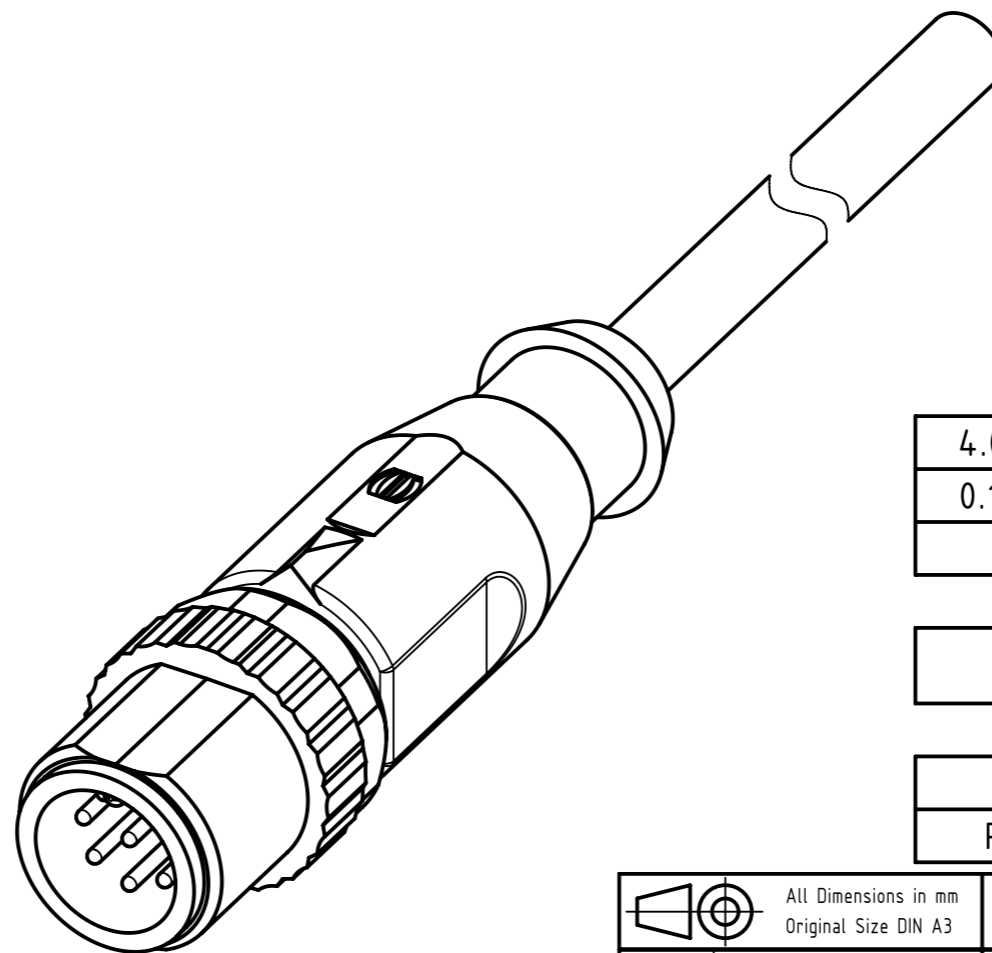
M12 A-coded 8-poles, male straight connector

Loading-Plan:



- 1 white
- 2 brown
- 3 green
- 4 yellow
- 5 grey
- 6 pink
- 7 blue
- 8 red

- Protection level: IP67  
 - Temperature range: -25°C ... +80°C



length in "1m" step	40	XXX=400
	39	XXX=390
	...	...
	12	XXX=120
	11	XXX=110
length in "0.1m" step	10	XXX=100
	9.9	XXX=099
	9.8	XXX=098
	...	...
	0.4	XXX=004
	0.3	XXX=003
	0.2	XXX=002
0.1	XXX=001	
Step	a [m]	XXX

4.0 to 40	+1%
0.1 to 3.9	+0.04
a [m]	Tolerance

Part no.	213484008XXXXX
----------	----------------

Type of cable	XX
PVC grey, 8x0.25mm <sup>2</sup>	XX=82

All rights reserved Department EC PD - RO		All Dimensions in mm Original Size DIN A3	Scale 2:1	Free size tol.	Ref. Sub.
HARTING Electronics GmbH D-32339 Espelkamp	Created by TAMAS	Inspected by AVRAM	Standardisation HOFFMANN	Date 2014-07-01	State Final Release
Title M12 A-coded Cable Assembly					Doc-Key / ECM-Nr. 100578925/UGD/009/A 50000076579
Type TB		Number 213484008XXXXX			Rev. A
					Page 1/1