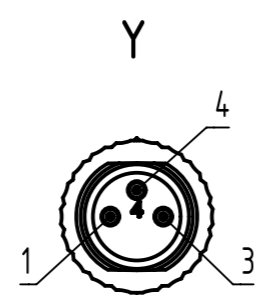
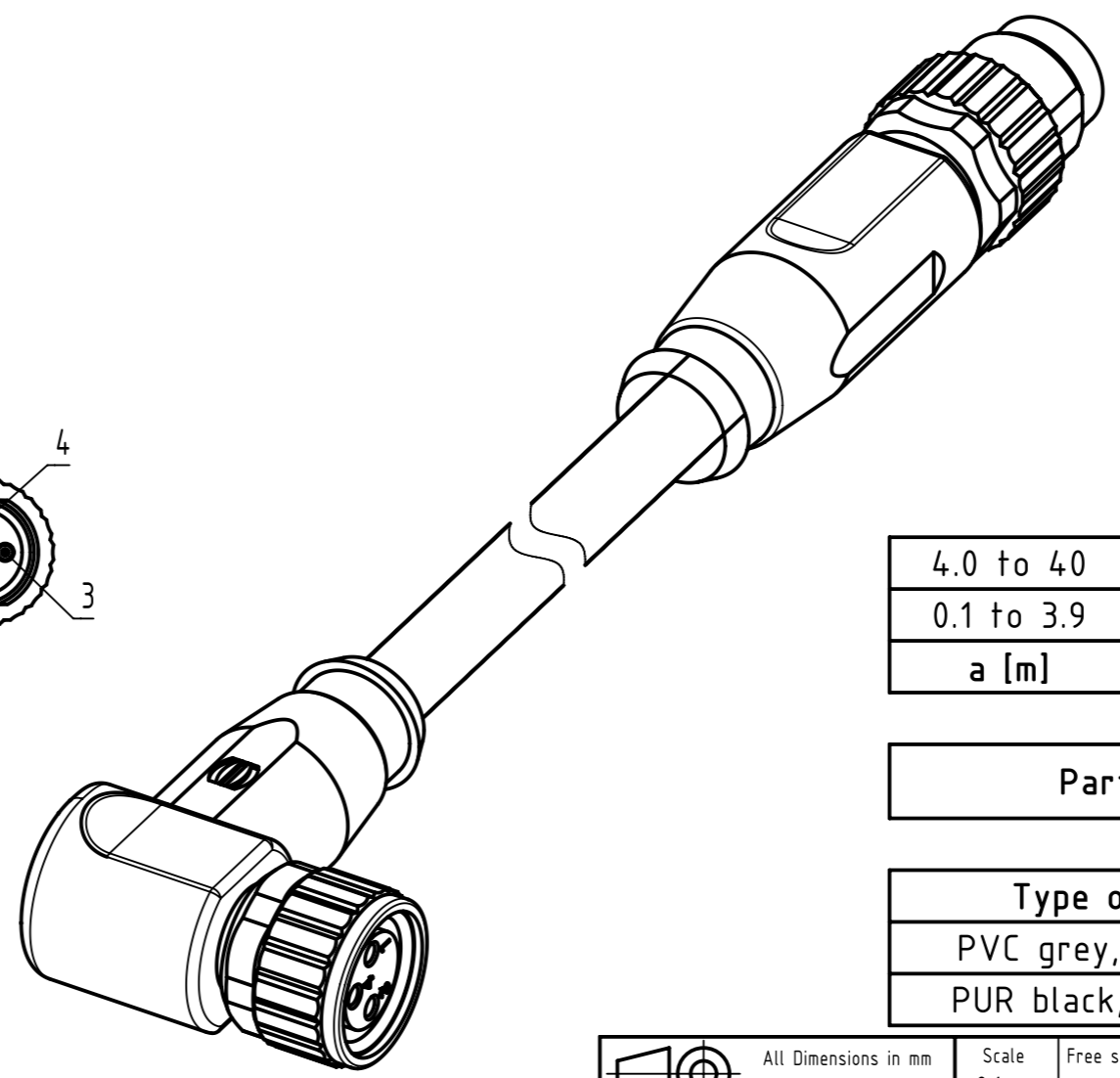


Loading-Plan:

1	brown	1
3	blue	3
4	black	4



- Protection level: IP67
 - Temperature range: -25°C ... +80°C



length in "1m" step	40	XXX=400
	39	XXX=390

	12	XXX=120
	11	XXX=110
length in "0.1m" step	10	XXX=100
	9.9	XXX=099
	9.8	XXX=098

	0.4	XXX=004
	0.3	XXX=003
	0.2	XXX=002
	0.1	XXX=001
Step	a [m]	XXX

4.0 to 40	+1%
0.1 to 3.9	+0.04
a [m]	Tolerance

Part no.	213480833XXXXX
Type of cable	XX
PVC grey, 3x0.25mm ²	XX=80
PUR black, 3x0.25mm ²	XX=88

All rights reserved Department EC PD - RO		All Dimensions in mm Original Size DIN A3	Scale 2:1 Free size tol.	Ref. Sub.
HARTING Electronics GmbH D-32339 Espelkamp	Created by TAMAS Inspected by AVRAM Standardisation HOFFMANN	Date 2014-07-01 State Final Release	Title M8 Cable Assembly Type TB Number 213480833XXXXX	Doc-Key / ECM-Nr. 100578025/UGD/009/A 50000076586 Rev. A Page 1/1