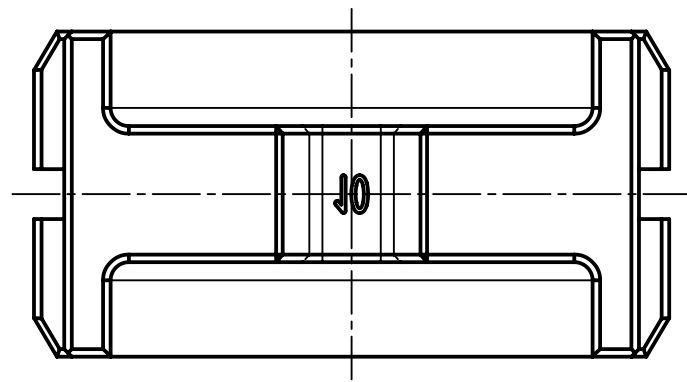
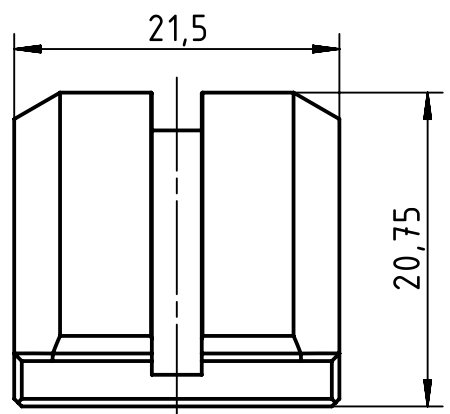
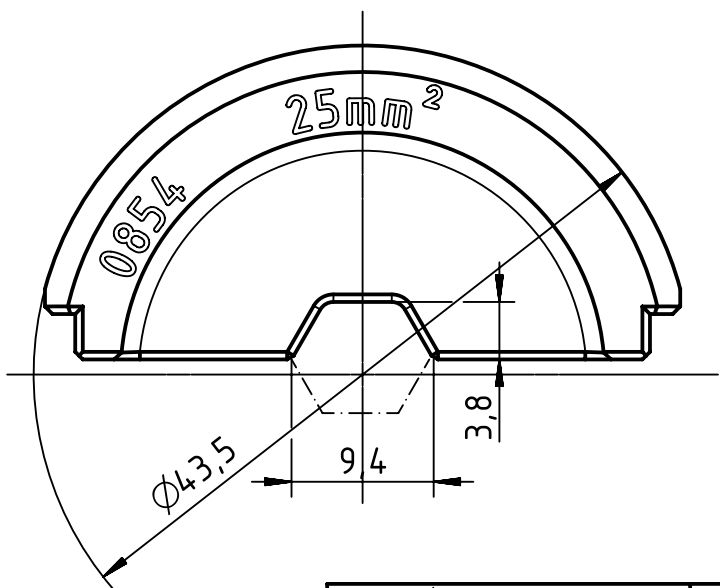


A



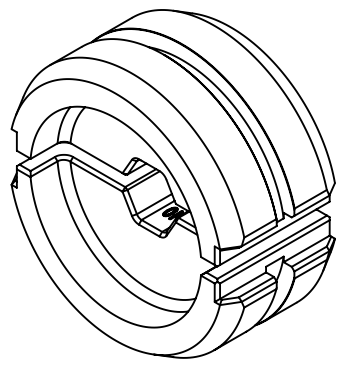
B



C

Scope of delivery 2 crimp dies

D



	All Dimensions in mm Original Size DIN A4		Scale 2:1	Free size tol.		Ref.		
						Sub.		
	All rights reserved		Created by HOLLERT	Inspected by RIEPE	Standardisation TIEMANNA	Date 2014-11-21	State Final Release	
	Department EL PD - DE		Title Crimp die 25mm <sup>2</sup> for 60 kN tool				Doc-Key / ECM-Nr. 100572322/UGD/002/B 500000081874	
HARTING Electric GmbH & Co. KG D-32339 Espelkamp			Type TB	Number 09 99 000 0854			Rev. B	Page 1/1