

Number of contacts

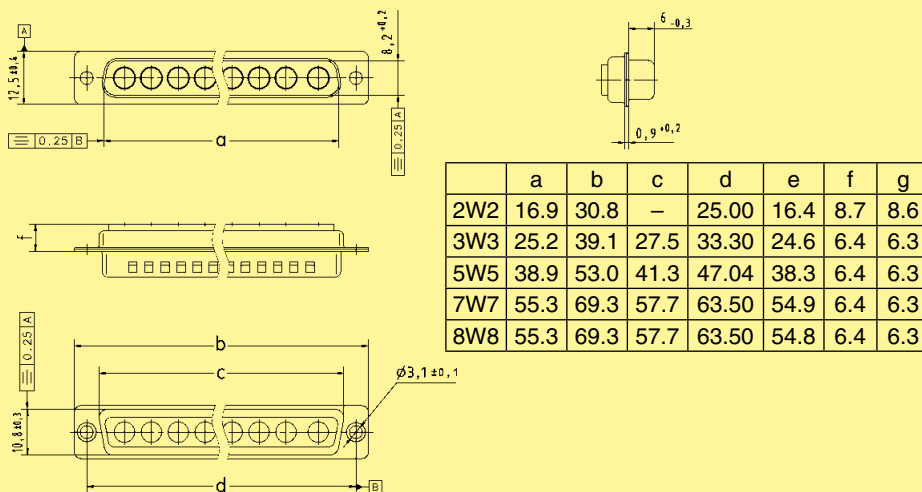
# 2-8



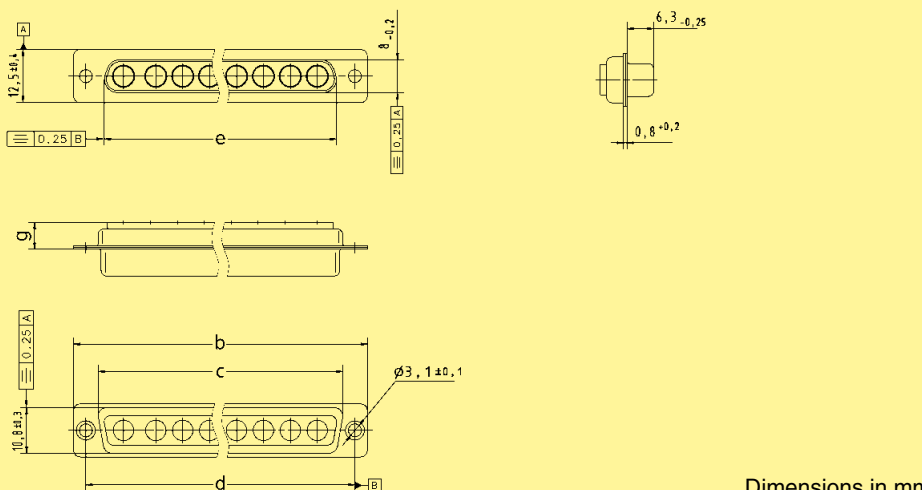
Shells without signal contacts for cable applications

Identification	No. of contacts <sup>1)</sup>	Part No.	
		male connectors	female connectors
	2W2	09 69 110 0522	09 69 100 0522
	3W3	09 69 210 0033	09 69 200 0033
	5W5	09 69 310 0055	09 69 300 0055
	7W7	09 69 410 0077	09 69 400 0077
	8W8	09 69 410 0088	09 69 400 0088

### Male connectors



### Female connectors



Dimensions in mm

D-Sub

<sup>1)</sup> Explanations see page 05.49  
Board drillings see pages 05.76 ff  
Order special contacts separately. See pages 05.67 ff