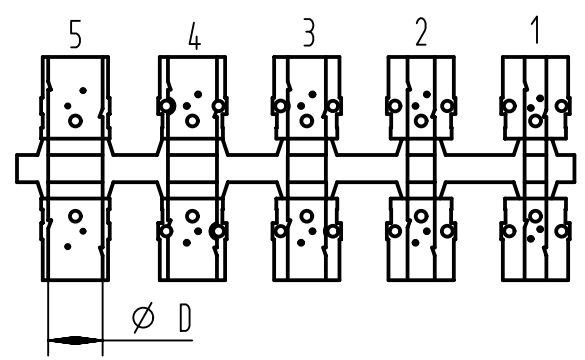
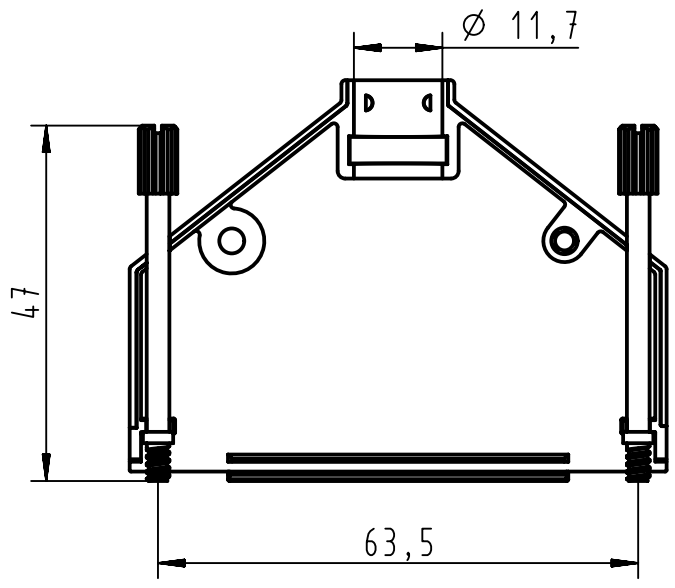
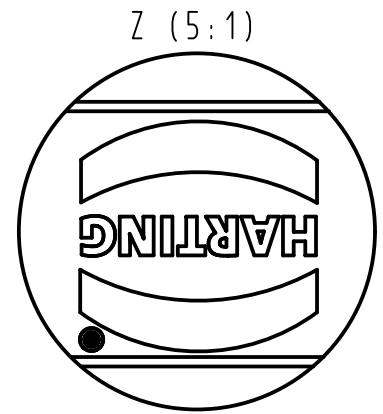
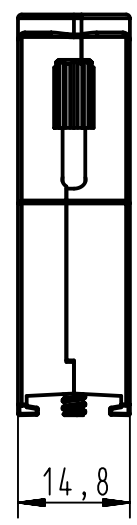
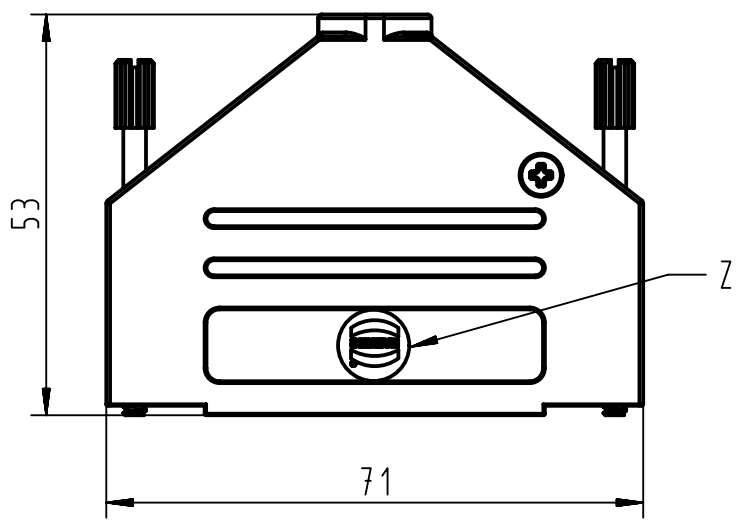


1 2 3 4 5 6

A
B
C
D



Grommet dimensions	
Number	Diameter D
1	4,0
2	5,0
3	7,0
4	9,0
5	10,2

	All Dimensions in mm Original Size DIN A4	Scale 1:1	Free size tol.	Ref. Sub.	
	All rights reserved Department EC PD - FR	Created by DOUGE	Inspected by BAGDIKIAN	Standardisation KOHLER	Date 2013-01-29
Title D-Sub Hood 37P top entry full metal				Doc-Key / ECM-Nr. 100521362/UGD/001/A 500000056836	
HARTING Electronics GmbH D-32339 Espelkamp		Type TB	Number 09670370348	Rev. A	Page 1/1

09 67 037 0348	M3
Part number	screw thread