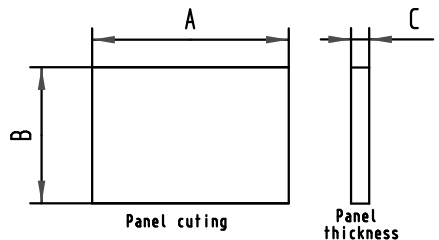


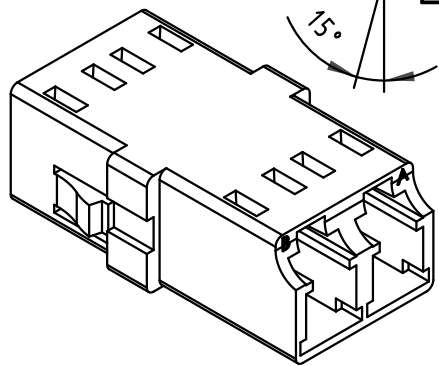
-Panel Cutout dimensions





Dia.	Min. (mm)	Max. (mm)
A	13,0	13,5
B	9,5	10,0
C	1,2	1,7

-LC adapter mating face in accordance with IEC 61754-20

-A&B Port identification on duplex in accordance with TIA 568 standards



OPTICAL REFERENCE PLANE

			Dot.	Name	 All Dim. in mm Orig. Size DIN A 4	LC Duplex SlimLine Adaptor Singlemode GOF	Maßstab/ Scale 3:1 1,5:1
		Detail.	26-NOV-07	GB			
		Insp.					
		Stand.					
35057	11-JUN-08	GB	HARTING EURL			TB 09 57 400 0004	Blatt/ Page 1 / 1
34779	26-NOV-07	GB	F-95972 Paris				
Mod.	Dot.	Name					
						Sub.	