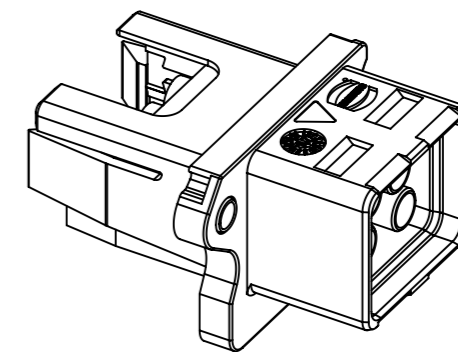
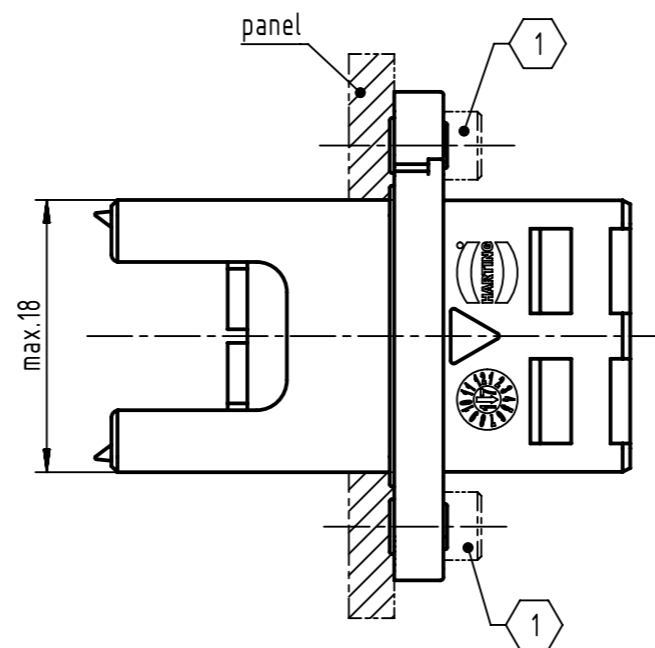


connector pitch on panel:
axis X = 27mm and axis Y = 21mm 2
panel thickness = max. 5.5mm



- 2 connector pitch with coding clip 0945840002X Y = 23mm
- 1 2x M2.5; screws acc. to ISO 4762; please order separately; bolting torque 0.3Nm - 0.5Nm

further information see: DS 09466100801

	All rights reserved Department EL PD	Created by ELLERMANN	Inspected by ZWAHR	Standardisation KÖHLER	Date 2018-05-30	State Final Release	Ref. Sub.
	HARTING Electronics GmbH D-32339 Espelkamp	Title HARTING PushPull V4 Compact Housing 48V/12A			Doc-Key / ECM-Nr. 100671830/UGD/000/C 500000135700		Rev. C Page 1/1
All Dimensions in mm Original Size DIN A3		Scale 2:1	Free size tol.				
		Type TB	Number 09462454420				