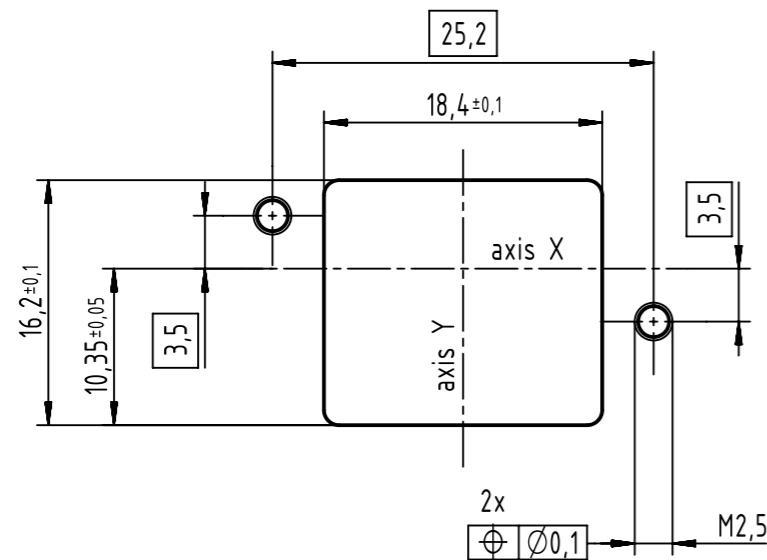
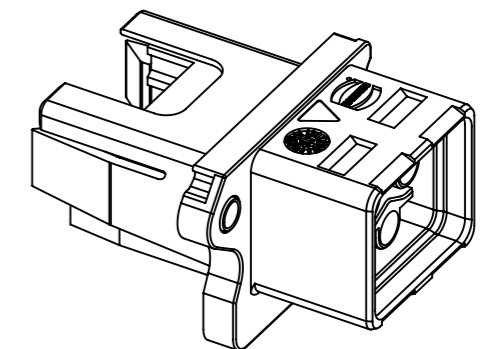
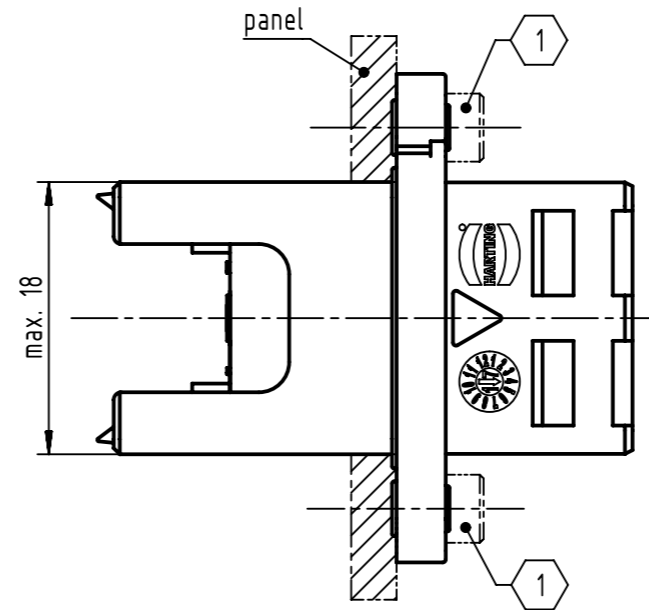


panel cutting



connector pitch on panel:
axis X = 27mm and axis Y = 21mm 2

panel thickness = max. 5.5mm



2 connector pitch with coding clip 0945840002X Y = 23mm

1 2x M2,5; screws acc. to ISO 4762;
please order separately; bolting torque 0.3Nm - 0.5Nm

3 pieces female crimp contact for AWG 14/16 (1.5 mm²)
are content of set packaging

further information see: DS 09466100800

	All rights reserved Department EL PD	Created by ELLERMANN	Inspected by ZWAHR	Standardisation KÖHLER	Date 2018-05-30	State Final Release	Ref. Sub.
	HARTING Electronics GmbH D-32339 Espelkamp	Title HARTING PushPull V4 Compact Housing 250V/16A			Doc-Key / ECM-Nr. 100671798/UGD/000/D 500000135700		Rev. D Page 1/1