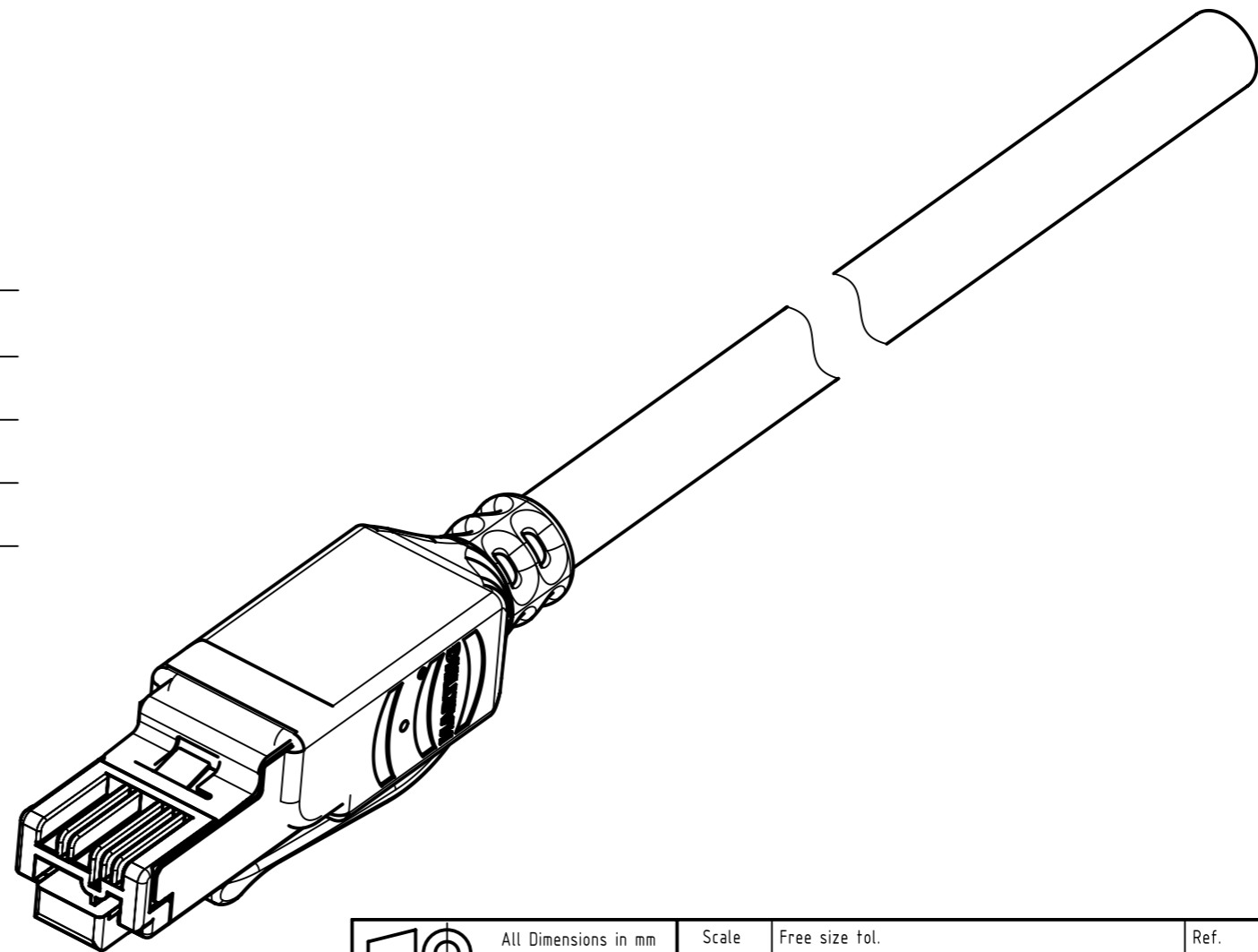
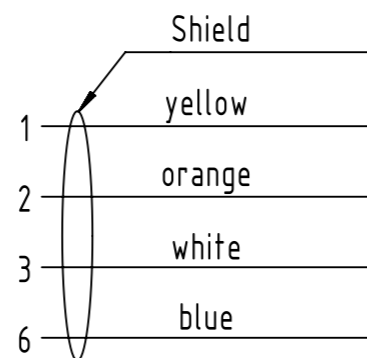


Loading-Plan:



- Protection level: IP20  
- Temperature range: -40°C...+70°C

	All Dimensions in mm Original Size DIN A3		Scale 2:1	Free size tol.		Ref.	
	All rights reserved Department EC PD - RO		Created by TOMUTA	Inspected by AVRAM	Standardisation HOFFMANN	Date 2015-03-02	State Final Release
HARTING Electronics GmbH D-32339 Espelkamp		Title RJ Industrial Cable Assembly				Doc-Key / ECM-Nr. 100081054/UGD/054/B 50000085752	
		Type TB	Number 09457710XXX			Rev. B	Page 1/2

1	2	3	4
Cont. no.	Part no.	Type of cable	Dim. a[m]
A 1	09457710062	RJl Ethernet standard cable, AWG22/1, 2x2x0.64mm <sup>2</sup> , Cat. 5+, solid, PVC, green	0.5
2	09457710063		1
3	09457710064		1.5
4	09457710065		2
5	09457710066		3
6	09457710067		4
7	09457710068		5
8	09457710069		6
9	09457710070		7
10	09457710071		8
B 11	09457710072		9
12	09457710073		10
13	09457710074		15
14	09457710075		20
15	09457710076		30
16	09457710077		40
17	09457710078		50
18	09457710079		60
19	09457710080		70
20	09457710081		80
C 21	09457710082		90
22	09457710083		100
23	09457710100	RJl Ethernet stranded cable, AWG22/7, 2x2x0.75mm <sup>2</sup> , outdoor, Cat. 5+, PVC, black	0.5
24	09457710101		1
25	09457710102		1.5
26	09457710103		2
27	09457710104		3
28	09457710105		4
29	09457710106		5
30	09457710107		6
D 31	09457710108		7
32	09457710109		8
33	09457710110		9
34	09457710111		10
35	09457710112		15
36	09457710113		20
37	09457710114		30
38	09457710115		40
39	09457710116		50
40	09457710117		60
E 41	09457710118		70
42	09457710119		80
43	09457710120		90
44	09457710132		100
45	09457710121	RJl Ethernet stranded cable, 4xAWG22/7, Cat. 5+, PVC, green.	0.5
46	09457710122		1
47	09457710123		1.5
48	09457710124		2
49	09457710125		3
50	09457710126		4
F 51	09457710127		5
52	09457710128		6

5	6	7	8	
Cont. no.	Part no.	Type of cable	Dim. a[m]	
53	09457710129	RJl Ethernet stranded cable, 4xAWG22/7, Cat. 5+, PVC, green.	7	
54	09457710130		8	
55	09457710131		9	
56	09457710151		10	
57	09457710152		15	
58	09457710153		20	
59	09457710154		30	
60	09457710155		40	
61	09457710156		50	
62	09457710157		60	
63	09457710158		70	
64	09457710159		80	
65	09457710160		90	
66	09457710161		100	
67	09457710162		RJl Ethernet trailing cable, AWG22/7, 2x2x0.75mm <sup>2</sup> , Cat. 5+, PUR, green.	0.5
68	09457710163			1
69	09457710164			1.5
70	09457710165	2		
71	09457710166	3		
72	09457710167	4		
73	09457710168	5		
74	09457710169	6		
75	09457710170	7		
76	09457710171	8		
77	09457710172	9		
78	09457710173	10		
79	09457710174	15		
80	09457710175	20		
81	09457710176	30		
82	09457710177	40		
83	09457710178	50		
84	09457710179	60		
85	09457710180	70		
86	09457710181	80		
87	09457710182	90		
88	09457710183	100		
89	09457710185	25		
90	09457710186	0.6		

	All Dimensions in mm Original Size DIN A3	Scale 1:1	Free size tol.	Ref.
	All rights reserved Department EC PD - RO	Created by TOMUTA	Inspected by AVRAM	Standardisation HOFFMANN
HARTING Electronics GmbH D-32339 Espelkamp	Title RJ Industrial Cable Assembly		Date 2015-03-02	State Final Release
	Type TB	Number 09457710XXX	Doc-Key / ECM-Nr. 100081054/UGD/054/B 50000085752	Rev. B Page 2/2