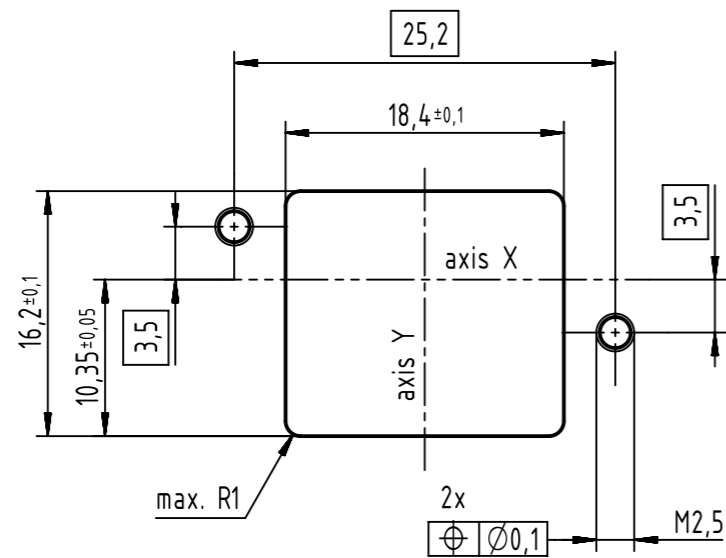
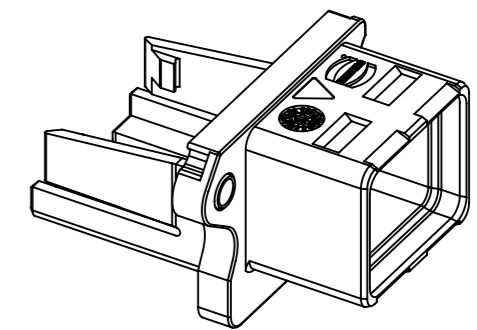
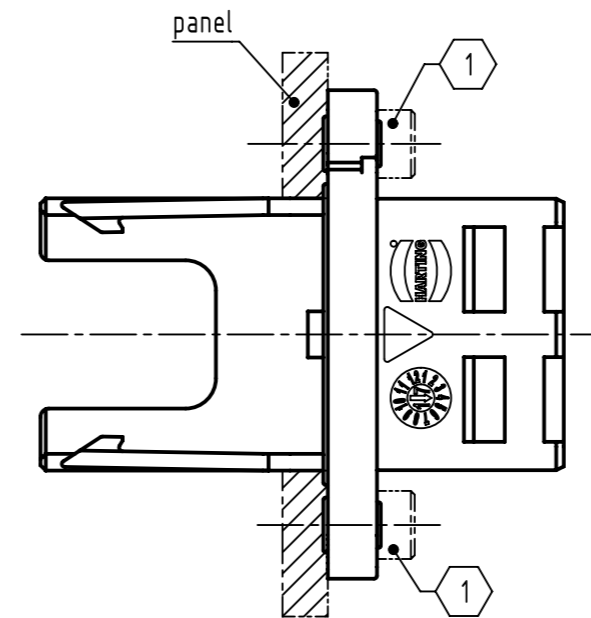


panel cutting



connector pitch on panel:
axis X = 27mm and axis Y = 21mm 2
panel thickness = max. 3.5mm



2 connector pitch with coding clip 0945840002X Y = 23mm

1 2x M2.5; screws acc. to ISO 4762;
please order separately; bolting torque 0.3Nm - 0.5Nm

	All Dimensions in mm Original Size DIN A3	Scale 2:1	Free size tol.	Ref. Sub.	
	All rights reserved Department EL PD	Created by ELLERMANN	Inspected by ZWAHR	Standardisation KOHLER	Date 2018-05-30
HARTING Electronics GmbH D-32339 Espelkamp	Title HARTING PushPull V4 Compact Housing HIFF			Doc-Key / ECM-Nr. 100626925/UGD/002/D 500000135700	
	Type TB	Number 09455450041		Rev. D	Page 1/1