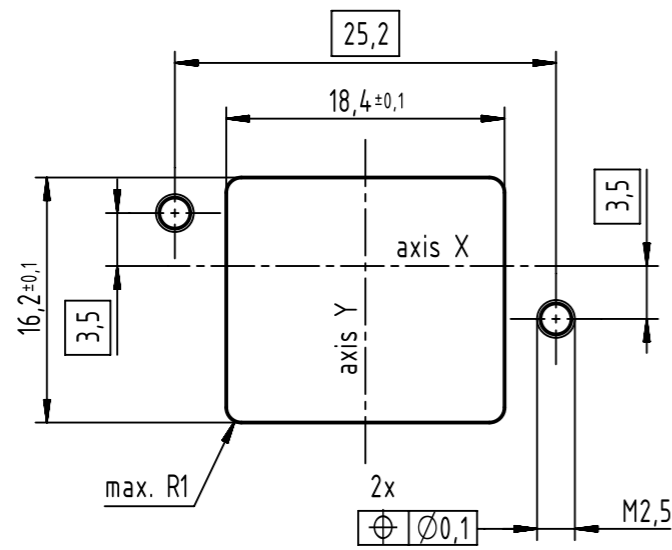
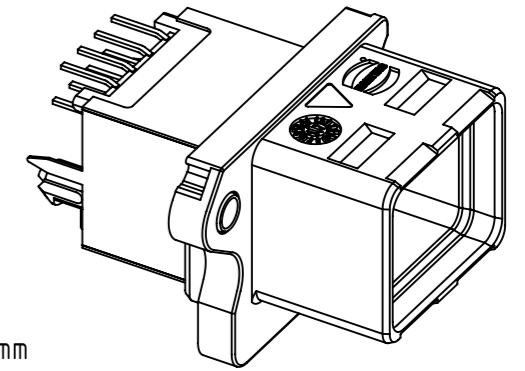
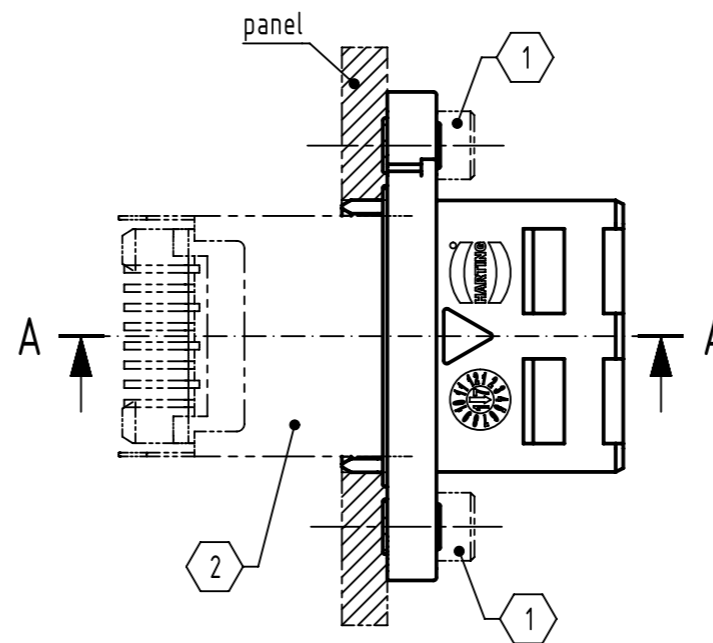


panel cutting



connector pitch on panel:
axis X = 27mm and axis Y = 21mm 3



- 3 connector pitch with coding clip 0945840002X Y = 23mm
- 2 HARTING RJ Industrial vertical RJ45 jack THT
part no. : TB 09455511103 ; please order separately
- 1 2x M2.5; screws acc. to ISO 4762;
please order separately; bolting torque 0.3Nm - 0.5Nm

	All Dimensions in mm Original Size DIN A3		Scale 2:1	Free size tol.		Ref.	
	All rights reserved Department EL PD		Created by ELLERMANN	Inspected by ZWAHR	Standardisation KOHLER	Date 2018-05-30	State Final Release
HARTING Electronics GmbH D-32339 Espelkamp		Title HARTING PushPull V4 Comp. Housing, RJ45 Vertical Jack				Doc-Key / ECM-Nr. 100672661/UGD/000/D 500000135700	
		Type TB	Number 09455450040			Rev. D	Page 1/1