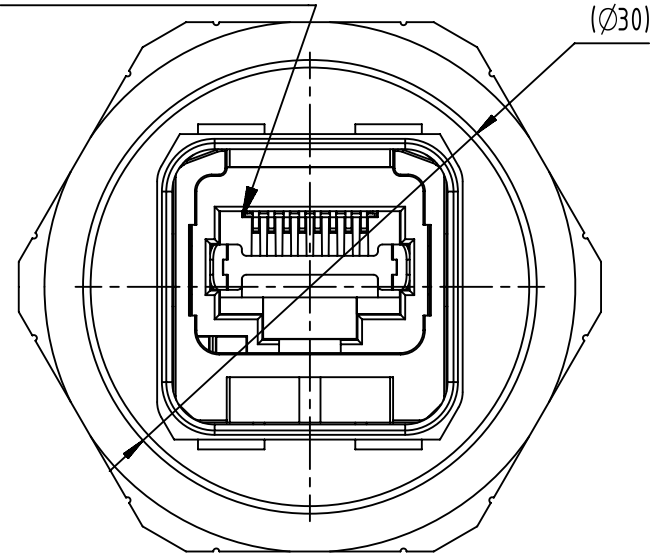


Thickness panel: 1mm to 6mm
 Nut screwing torque: 2,5 to 3Nm

MATING FACE according to
 IEC 61076-3-117



(47,8)

Ground contact

HIFF adapter

Ground contact (2x)

Cat.6 10G insert

M28x1,5 metal nut

Flat seal

V14 M28 metal housing

	All Dimensions in mm Original Size DIN A4		Scale 2:1	Free size tol. ISO 2768-fH	Ref. Sub.	
	All rights reserved Department EC PD - FR		Created by BARLEMONT	Inspected by DE VANSAY	Standardisation KOHLER	Date 2014-07-08
HARTING Electronics GmbH D-32339 Espelkamp			Title Han PP PFT met. circular Bulkhead Cat.6			Doc-Key / ECM-Nr. 100221210/UGD/002/C 500000076632
			Type TB	Number 09352250312	Rev. C	Page 1/1