

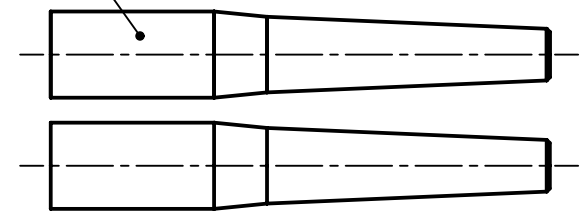
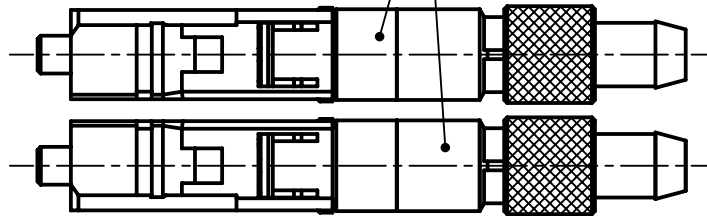
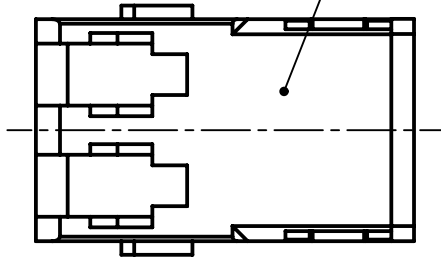
1 2 3 4 5 6

A

Datencontainer SCRJ
data container SCRJ

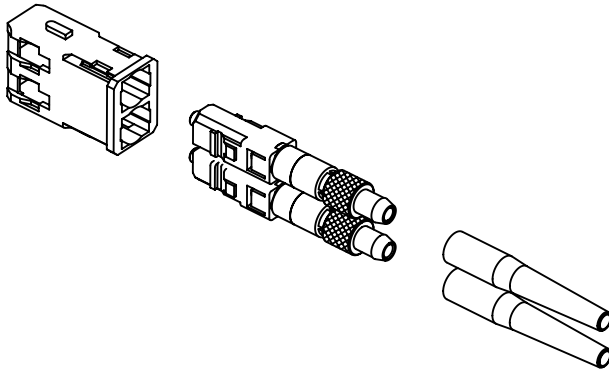
2x SC-POF Stecker mit Klemm-Mutter
2x SC-POF connector with lock nut

Knickschutz
bend protection



B

C



D

	All Dimensions in mm Original Size DIN A4		Scale 2:1	Free size tol.		Ref. Sub. TB 09 35 002 4002 Mod.36111 v.23.08.10	
		All rights reserved	Created by ZWAHR	Inspected by ELLERMANN	Standardisation HOFFMANN	Date 2012-12-12	State Final Release
Department EC PD - DE		Title Han PushPull SCRJ POF IP20 plug					Doc-Key / ECM-Nr. 100195486/UGD/002/C 500000056362
HARTING Electronics GmbH D-32339 Espelkamp		Type TB	Number 09350024002			Rev. C	Page 1/1