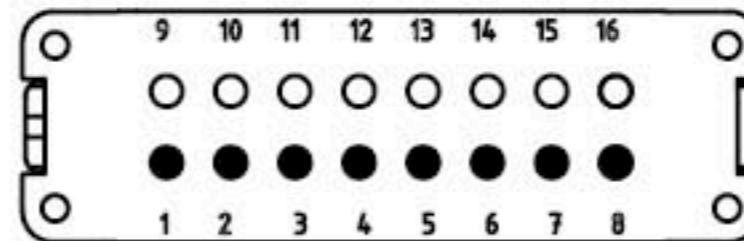
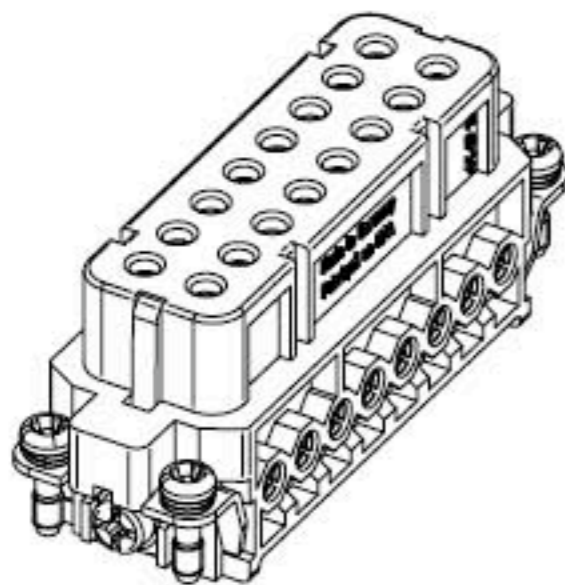


termination side



- contacts CuNi
- contacts Fe gold-plated



	All rights reserved Department EL PD - DE	All Dimensions in mm Original Size DIN A4			Scale 1:1	Free size tol.	Ref. Sub.
		Created by HARLASSK	Inspected by MOOR	Standardisation SCHMIDTM	Date 2014-03-18	State Final Release	
HARTING Electric GmbH & Co. KG D-32339 Espelkamp		Title Han 16A-F-Screw Fe(Au) / CuNi Type J				Doc-Key / ECM-Nr. 100087447/UGD/005/B 500000071241	
		Type TB	Number 09 20 016 2891			Rev. B	Page 1/1