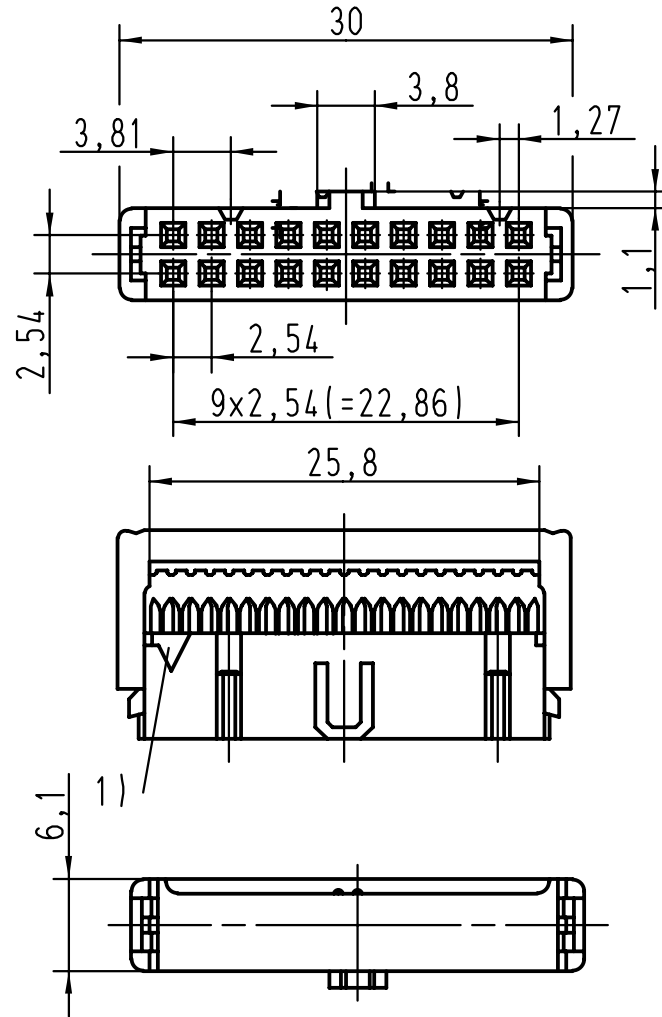
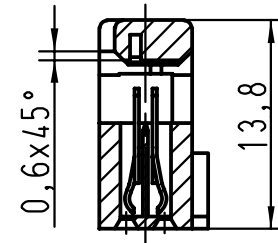


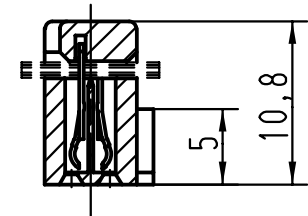
5 4 3 2 1



vorverrastet  
pre assembled  
preassemble



verrastet  
fitted  
assemble



- 1) Markierung erster Kontakt, Ader 1 des Flachkabels  
 1) Contact no.1, 1st wire of flat cable  
 1) Contact no.1, repère 1 du câble

|   |                                      |   |  |                   |                              |                               |  |  |
|---|--------------------------------------|---|--|-------------------|------------------------------|-------------------------------|--|--|
|   |                                      | All Dimensions in mm<br>Original Size DIN A 4               |  | Techn. Character. |                              |                               | Nicht tolerierte Masse/ Free size tolerances |  |
|   |                                      |   |  |                   | Detail.                      | Dat.                          | Name   | SEK 18 Female connector<br>20 poles<br>with central polarisation<br>cover without cable stop |
| A | 09185205803                          | 0,76 μm Au  |  |                   | Insp.                        | 01-FEB-00                     | Th   |  |
|   | 09185206803                          | 2   |  |                   | Stand.                       |                               | JMV  |  |
|   | 09185207803                          | 3   |  |                   | Massstab/Scale<br><b>2:1</b> |                               |  |  |
|   | Bestell-Nr.<br>Part-No.<br>Reference | Anforderungsstufe<br>performance level<br>Niveau de qualite |  | 26570             | 01-FEB-00                    | HARTING EURL<br>F-95972 Paris |  | <b>TB 0918520X803</b><br>Sub.  |
|   |                                      |   |  | Mod.              | Dat.                         |                               |  |  |
|   |                                      |   |  |                   |                              |                               |  | Blatt/ page<br>1/1   |