

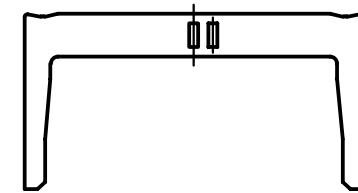
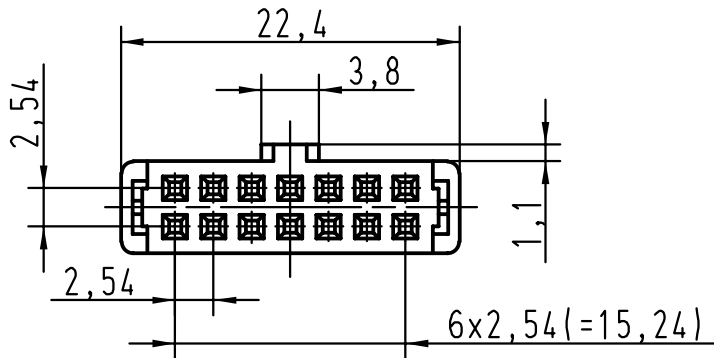
5

4

3

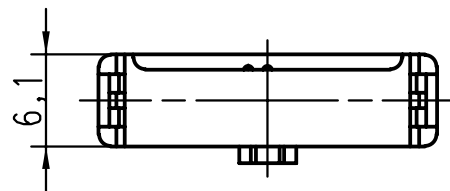
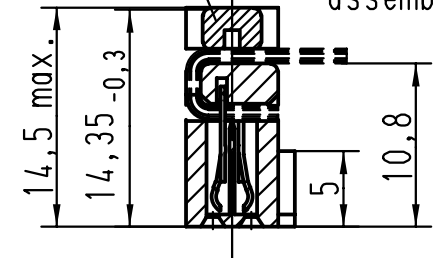
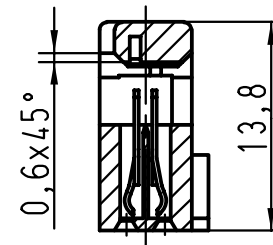
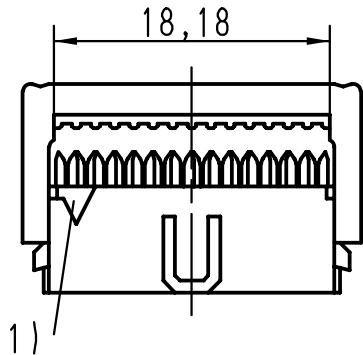
2

1



vorverrastet
pre assembled
preassemble

strain relief verrastet
fitted
assemble



1) Markierung erster Kontakt, Ader 1 des Flachkabels
1) Contact no.1, 1st wire of flat cable
1) Contact no.1, repère 1 du câble

		All Dimensions in mm Original Size DIN A 4			Techn. Character.			Nicht tolerierte Masse/ Free size tolerances			
A	09185145813	0,76 μm Au			Detail.	Dat.	Name	Massstab/ Scale 2:1	SEK 18 Female connector 14 poles with central polarisation without cable stop with strain relief		
	09185146813	2			Insp.	01-FEB-00	JMV				
	09185147813	3			Stand.						
	Bestell-Nr. Part-No. Reference	Anforderungsstufe performance level Niveau de qualite	26570	01-FEB-00	JB	HARTING EURL F-95972 Paris			TB 0918514X813	Blatt/ page 1/1	
			Mod.	Dat.	Name				Sub.		