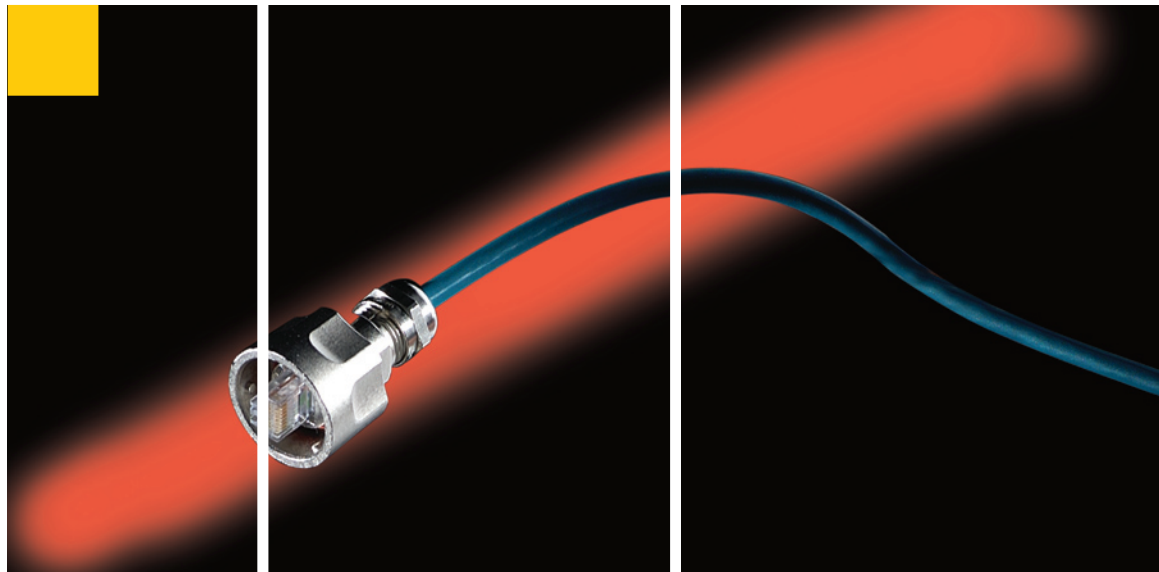


HARTING






Han-Max

Industrial Ethernet in robust design





Cable side

Identification	Part number	Drawing	Dimensions in mm
<p>Han-Max[®] Cable side</p> <p>UTP unshielded</p> 	<p>09 15 300 0401</p>		
<p>ScTP shielded</p>	<p>09 15 300 0402</p>		
<p>Han-Max[®] RJ Industrial Cable side</p> 	<p>09 15 300 0412</p>		
<p>Han-Max[®] Protection cover Cable side</p> 	<p>09 15 300 5401</p>		

Technical characteristics

Style	MAX [®] 1) UTP	MAX [®] 1) ScTP	HARTING RJ Industrial [®]
Locking	Bayonet nut	Bayonet nut	Bayonet nut
Degree of protection	IP 67	IP 67	IP 67
Mating face	RJ45 accd. IEC 60 603-7	RJ45 accd. IEC 60 603-7	RJ45 accd. IEC 60 603-7
Temperature range	-25°C to +85°C	-25°C to +85°C	-40°C to +70°C
Diameter of cable jacket	4 to 8 mm	4 to 8 mm	4 to 8 mm
Wire gauge	AWG 26 - 24	AWG 26 - 24	AWG 24 - 22 stranded AWG 23 - 22 solid
Mating cycles	min. 500	min. 500	min. 500
Material for housing	Zinc die-cast nickel-plated	Zinc die-cast nickel-plated	Zinc die-cast nickel-plated
Transmission characteristics	Cat 5e	Cat 5e	Cat 5e
Number of contacts	8	8	4
Shielding	TP, unshielded	TP, shielded	TP, shielded
Termination	Field assembling	Field assembling	Field assembling / toolless
Approval	ODVA	ODVA	

Benefits

- Robust metal housing with bayonet nut
- Resistant against vibration and shock
- IP 67 for raw industrial environments
- Compatibel acc. Cat 5e, shielded and unshielded
- Field assembling

¹⁾ registered trademark of The Siemon Company