

## Features

- Solder free PCB termination
- PCB contact with locking element
- Stamped contact element
- Automatic crimping process compatible
- For use with different Han® connectors
- Cost-effective
- Easy handling
- Fast assembly to PCB
- Contacts with pin
  - Locking directly on the PCB
- Contacts without pin
  - Fast positioning with plastic adapter

## Technical characteristics

### Contact

Material	Copper alloy
- Hard silver plated	3 µm Ag
Contact resistance	< 2 mΩ

### Locking

Material	Copper alloy
Surface finish	Passivation
Current 10 mm <sup>2</sup> stranded wire	60 A
Voltage	Clearance and creepage distances have to be considered
Board density	t= 1.6 - 2.0 mm

## Description

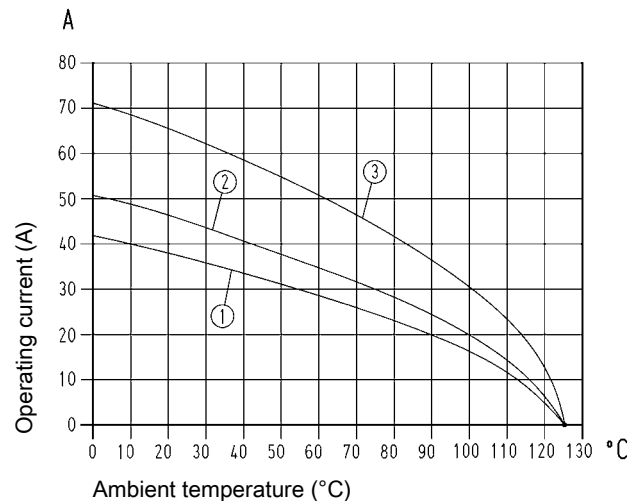
The new connection of wires to the PCB offers optimized PCB design, combined with outstanding contact qualities. The Han-Fast® Lock is flexible and allows a fast and simple PCB connection. The PCB has one drilled hole and a pad. The inner surface of the plated drilled hole serves as the interface. The Han-Fast® Lock is simply inserted into the plated through contact hole. The locking pin is pushed in and hence locks the contact into position. The solder free connection technique is easy to handle and to operate. Maintenance has been made simple with the facility to detach the contact. Han-Fast® Lock also supports SMD assembly of the PCB.

- Current up to 60 Amps
- Standard drilled hole with pad
- Position independent of connector
- Solder free PCB termination
- Easy locking solution

## Current carrying capacity

The current carrying capacity of the connectors is limited by the thermal load capability of the contact element material including the connections and the insulating parts. The derating curve is therefore valid for currents which flow constantly (non-intermittent) through each contact element of the connector evenly, without exceeding the allowed maximum temperature.

Measuring and testing techniques according to DIN EN 60 512-5



- ① Wire gauge: 4 mm<sup>2</sup>
- ② Wire gauge: 6 mm<sup>2</sup>
- ③ Wire gauge: 10 mm<sup>2</sup>



Identification	Part-Number	Drawing	Dimensions in mm
----------------	-------------	---------	------------------

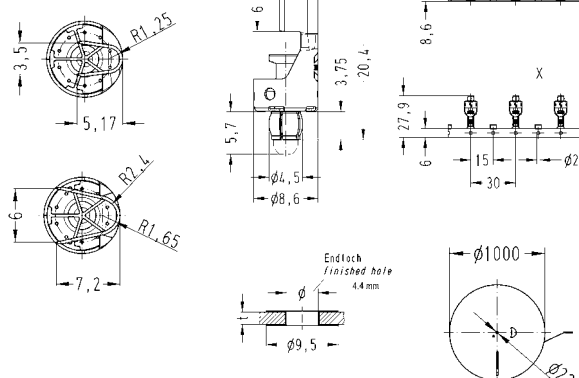
**Contacts with pin on a reel**

4.0 up to 6.0 mm<sup>2</sup>

09 08 000 6123

10.0 mm<sup>2</sup>

09 08 000 6124



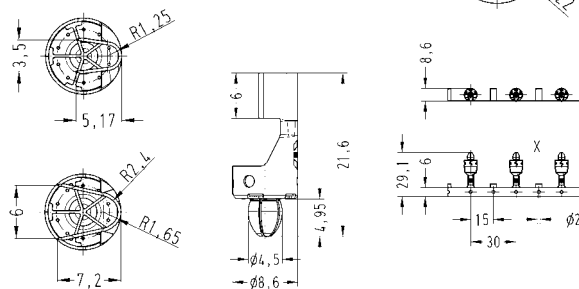
**Contacts without pin on a reel**

4.0 up to 6.0 mm<sup>2</sup>

09 08 000 6923

10.0 mm<sup>2</sup>

09 08 000 6924



Further plated surfaces on request

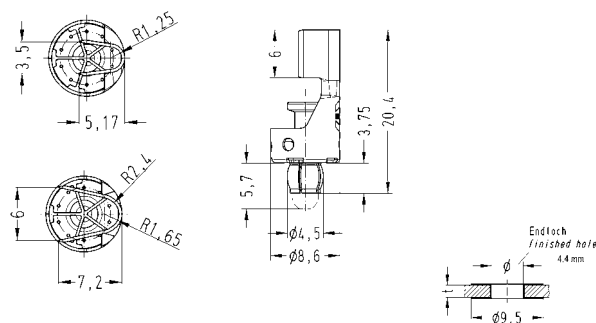
**Single contacts with pin**

4.0 up to 6.0 mm<sup>2</sup>

09 08 000 7123

10.0 mm<sup>2</sup>

09 08 000 7124



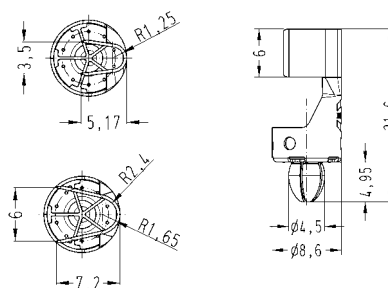
**Single contacts without pin**

4.0 up to 6.0 mm<sup>2</sup>

09 08 000 7923

10.0 mm<sup>2</sup>

09 08 000 7924



Further plated surfaces on request