

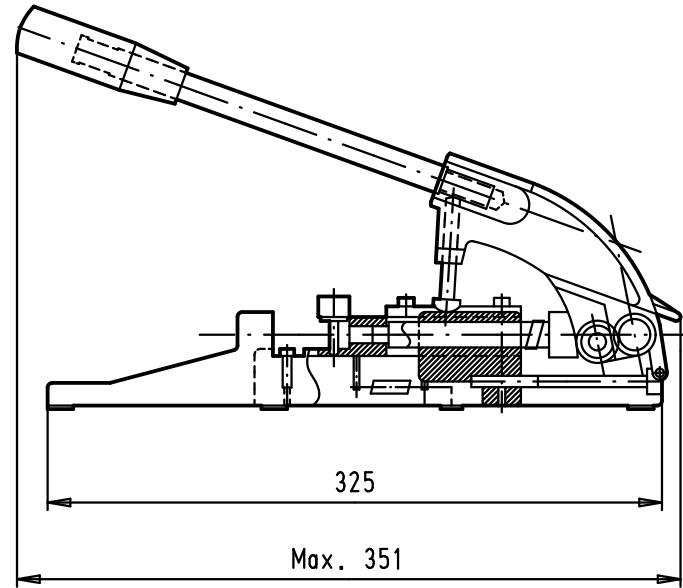
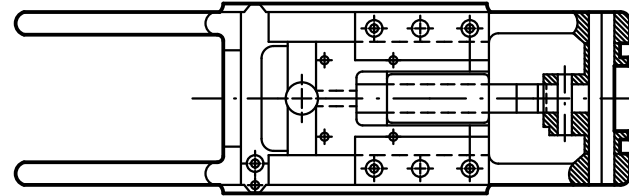
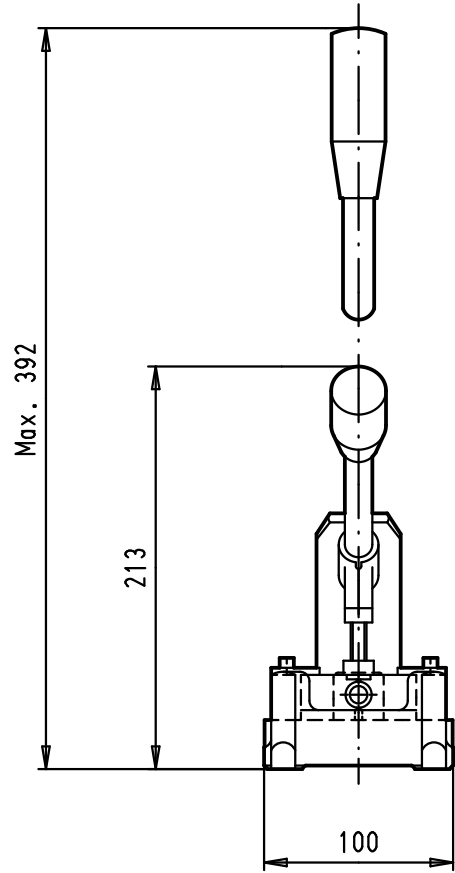
5

4

3

2

1



				Dat.	Name		Har-mik tool: Hand press	Maßstab/ Scale	
			Detail.	09/07/02	CV			All Dim. in mm Orig. Size DIN A 4	1:4
			Insp.						
			Stand.						
	34389	30/07/07	PK	HARTING EURL F-95972 Paris			TB 60 99 000 0007	Blatt/ Page	
	31060	09/07/02	CV					1 / 1	
	Mod.	Dat.	Name				Sub.		

D

C

B

A