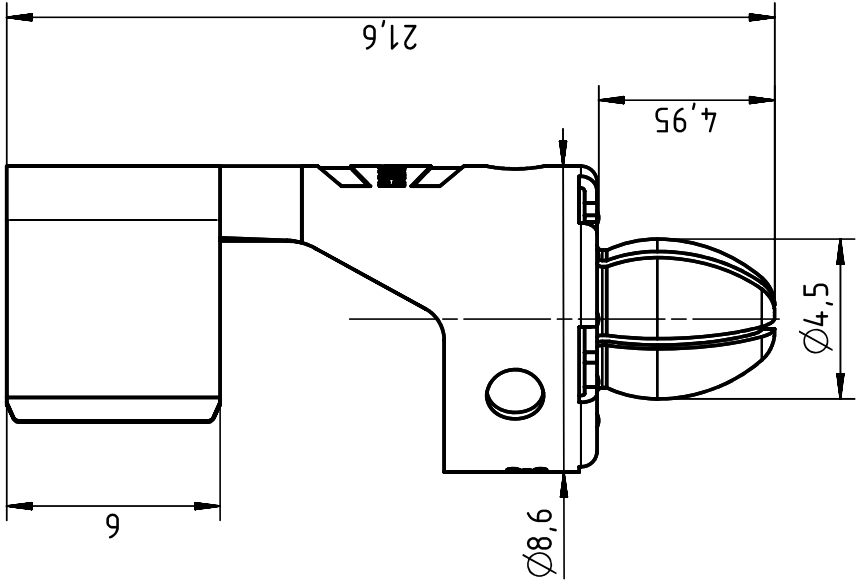
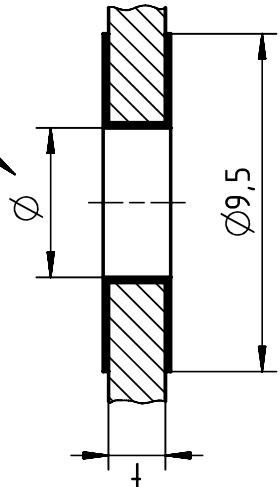


1 2 3 4 5 6

t	Ø
1,6	4,4 ^{+0,05} _{-0,04}
2	4,4 ^{+0,05} _{-0,04}

PCB lay-out



Coating	A=	mm³	V=	mm³	m=	g	Mat.	
	All Dimensions in mm Original Size DIN A4	Scale	5:1	Free size tol.	Ref.	Sub.	Date	
	All rights reserved Department EL PD - DE	Created by	RULLKOETTER	Inspected by	SCHNIEDER	Standardisation	TIEMANNA	
HARTING Electric GmbH & Co. KG D-32339 Espelkamp	Department EL PD - DE	Title		Han-Fast Lock 10mm², Ag		Date	2014-03-27	
		Type	TB	Number	09 08 000 7924	State	Final Release	
		Doc-Key / ECM-Nr.	100219216/UGD/003/D		50000073156		Rev.	D
		Page	1/1					