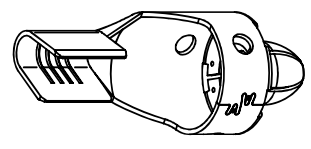
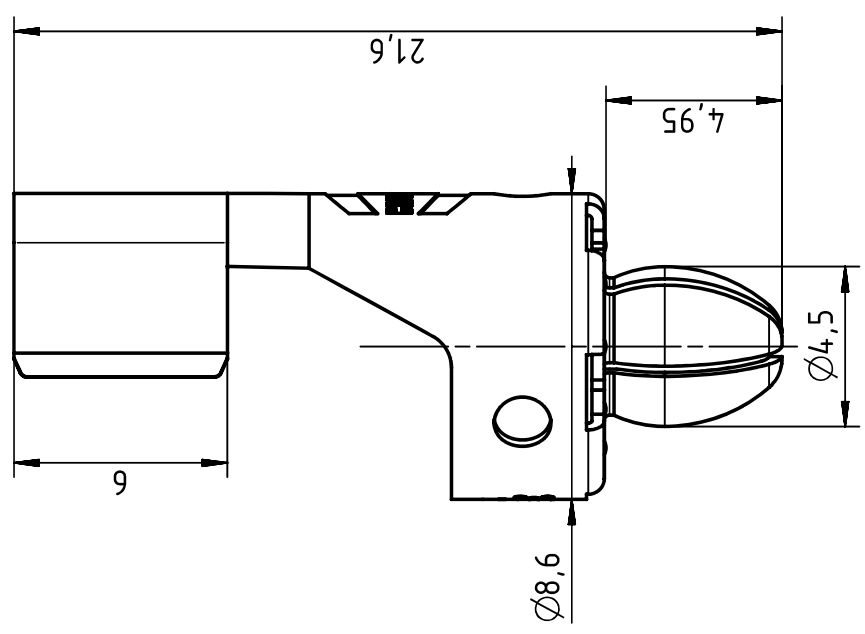
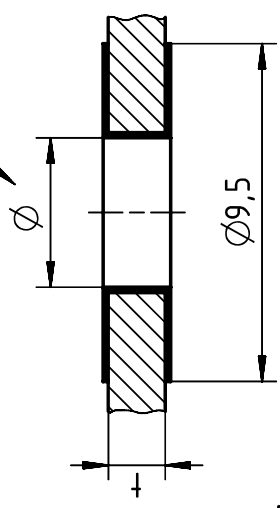


1 2 3 4 5 6

t	ϕ
1,6	4,4 $\begin{matrix} +0,05 \\ -0,04 \end{matrix}$
2	4,4 $\begin{matrix} +0,05 \\ -0,04 \end{matrix}$

PCB lay-out
finished hole



Coating	A=	mm ³ V=	mm ³ m=	g Mat.	Ref.
	All Dimensions in mm Original Size DIN A4	Scale 5:1	Free size tol.		Sub.
	All rights reserved Department EL PD - DE	Created by RULLKOETTER	Inspected by SCHNIEDER	Standardisation TIEMANNA	Date 2014-03-27
HARTING Electric GmbH & Co. KG D-32339 Espelkamp	Title Han-Fast Lock 4-6mm ² , Ag		State Final Release		Doc-Key / ECM-Nr. 100219174/JIGD/004/JD 50000073156
Type TB			Number 09 08 000 7923		Rev. D
					Page 1/1