

HANDLE KIT

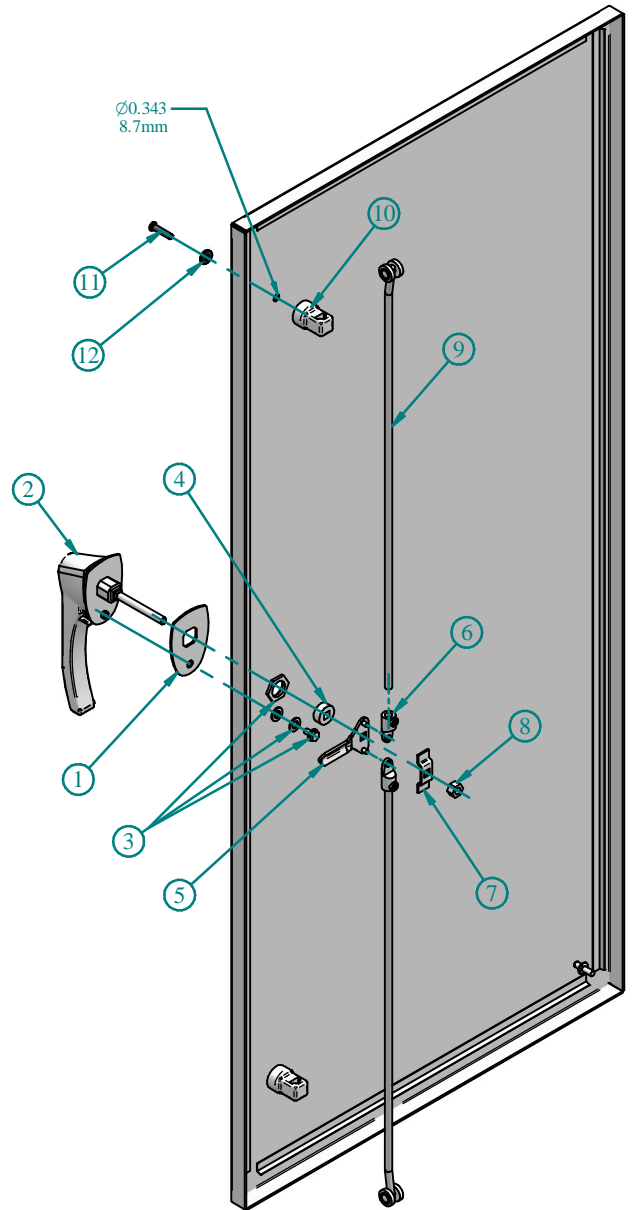
BUL10172

REV. H

FOR SINGLE AND DOUBLE DOOR ENCLOSURES

- A) Mark and drill door at locations displayed in the Drilling Detail.
- B) Install the gasket (Part 1) to the handle (Part 2). Slip the threaded shaft through the .866" (22.5mm) dia. hole in the door and hold onto the handle. Fasten the handle to the door using the screw, washer and nut supplied (Parts 3). Note: The handle can be made to open clockwise or counter clockwise by changing the position of the dog located under the handle escutcheon.
- C) Slip spacer (Part 4) over the handle shaft.
- D) Slip cam (Part 5) over the shaft, pins facing up and latch facing out 90° to the handle.
- E) Add lock rod apaptors (Part 6) onto the cam pins. Slip the rod retainer plate (Part 7) over the shaft. Tighten the M12 center lock nut and flat washer (Part 8) as shown.
- F) Insert rods (Part 9) through the lock rod guides (Part 10). Insert the M6 screw (Part 11) and sealing washer (Part 12) through the 0.343" (8.7mm) hole and screw into the rod guide. Insert rods into lock rod adapters and tighten the screws.

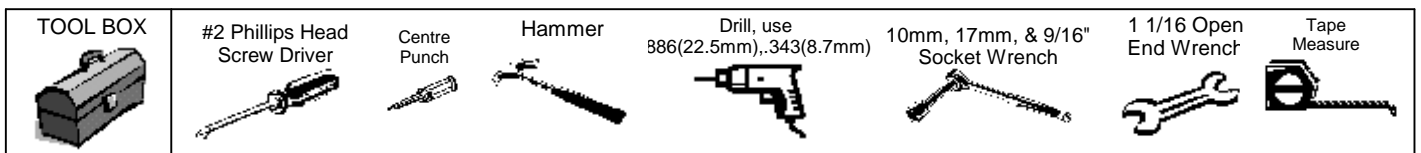
Note: For left hand handle, mount the hardware opposite.



PART #	QTY.	DESCRIPTION
1	1	Handle gasket
2	1	Handle, padlocking
3	1	Handle - screw, washer and nut
4	1	Spacer
5	1	Cam
6	2	Lock rod adapter
7	1	Rod retainer plate
8	1	M12 Nut and washer
9	2	Lock rod
10	2	Lock rod guide
11	2	M6 Screw
12	2	Sealing washer



Note 1.) Lock rods are supplied to suit 79.31" opening. For enclosures less than 79.31" cut each rod 1/2 the difference of the opening.
Example: If opening is 18" smaller, then cut 9" off each rod.

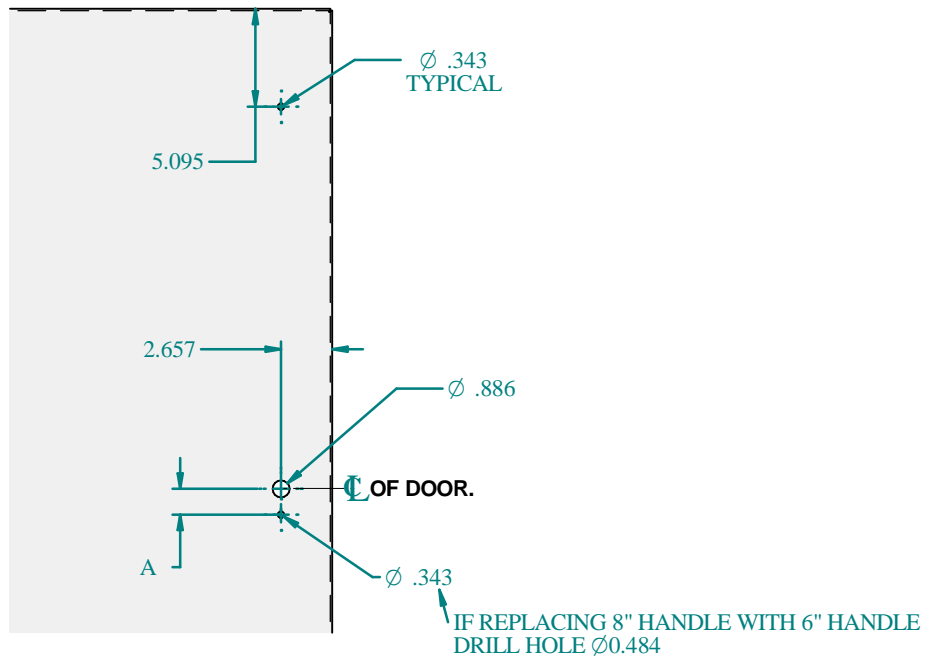


HANDLE KIT

BUL10172

REV. H

FOR SINGLE AND DOUBLE DOOR ENCLOSURES



**DRILL DETAIL
FOR ENCLOSURE DOOR**

PART #	DESCRIPTION	A
PHKL2	8" HANDLE W/PADLOCK/KEYLOCK	1.417" (36mm)
PHK2	8" HANDLE W/PADLOCK	1.417" (36mm)
PHKD2	8" HANDLE W/PADLOCK/DEFEATER	1.417" (36mm)
MHKL2	6" HANDLE W/PADLOCK/KEYLOCK	1.339" (34mm)
MHK2	6" HANDLE W/PADLOCK	1.339" (34mm)
MHKD2	6" HANDLE W/PADLOCK/DEFEATER	1.339" (34mm)
MHKL2SS	6" SS HANDLE W/PADLOCK/KEYLOCK	1.339" (34mm)
MHK2SS	6" SS HANDLE W/PADLOCK	1.339" (34mm)
MHKD2SS	6" SS HANDLE W/PADLOCK/DEFEATER	1.339" (34mm)

