

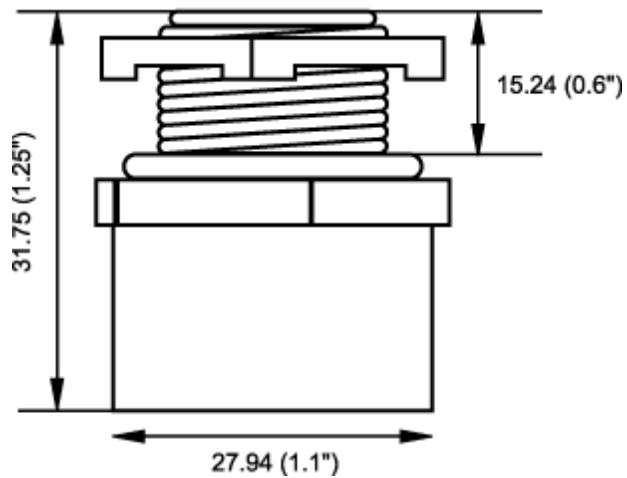


Quality Products. Service Excellence.

Pressure Compensation Plug *BDN Series*



- Packaged individually.
- Provides for controlled pressure compensation due to temperature variations (i.e. night/day operation).
- When mounted to bottom of enclosure, this unique design provides a method of effectively draining moisture from within the enclosure
- Recommend two plugs per cabinet in opposite locations.
- Pipe Thread M20 x 1.5 (minimum cutout 20.2 mm / 0.80 inches)
- Recommended Torque 10 NM



Part No.	BDN4XN1
----------	---------

CSA/A Ex Approvals:	Class I, Zone 1, Ex e II
	Class I Division 2 Groups ABCD
	Class II EFG, Class III
Ingress Protection:	IP66, CSA Enclosure Type NEMA 4X
Impact Resistance:	20Nm (7Nm GF Nylon)
Materials:	Durethan BKV 30 N1 30% Glass Filled Nylon
	O Ring - Nitrile
	Fixing nut - Brass
Operating Temp:	-50C to +85C

Data subject to change without notice

© 2020. Hammond Manufacturing Ltd. All rights reserved.

