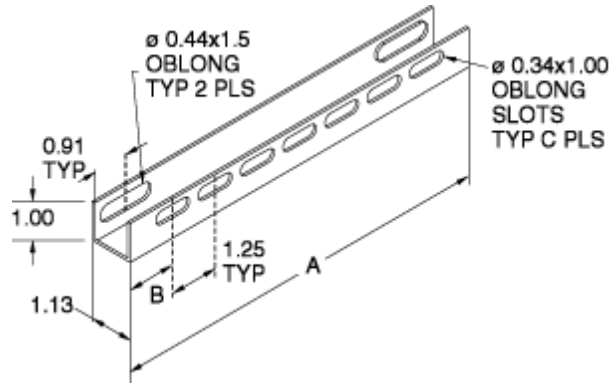




Quality Products. Service Excellence.

Eclipse DIN Rail Mounting Kit *DRMK Series*

- Field installable.
- Mounts directly to panel collar studs (panel not required).
- Accepts optional DIN rails.
- DIN rails available separately.
- Zinc plated, yellow dichromate.



| Part No. | Length |
|----------|--------|
| 2DMK12 | 10.00 |
| 2DMK16 | 14.00 |
| 2DMK20 | 18.00 |
| 2DMK24 | 22.00 |
| 2DMK30 | 28.00 |

Data subject to change without notice

© 2020. Hammond Manufacturing Ltd. All rights reserved.