

# 1750H

## TUBE GUITAR AMPLIFIER - OUTPUT TRANSFORMER

- Designed for drop in replacement of original units.
- Constructed to look similar to original factory units (where possible).
- Material used & design specifications were kept as close as possible to the original part to preserve the stock "tone".
- Open style with minimum 9" long primary and secondary leads
- Frequency response 70Hz - 15kHz (0/-1.0dB reference @ 1KHz)
- Distortion is less than 1% @ 70Hz

### ELECTRICAL SPECIFICATIONS

Characteristics		Typical	
Input Impedance		6600 Ohms	
Output Impedance		8 Ohms	
Output Power		20W	
<b>DCR</b>			
Primary Brown-Blue		428.0 Ohms	
Secondary Black-Green		0.410 Ohm	
<b>Inductance</b>		<b>Impedance</b>	
@ 1.0 kHz, 1.0 V OC			
Primary Brown-Blue		21.4H	132.0 Kohm
Secondary Black-Green		27.36mH	680.1 Ohms
<b>Leakage Inductance</b>		<b>@ 1.0 kHz, 1.0 V SC</b>	
Primary Brown-Blue		13.54mH	
Dielectric Strength		1500VRMS	
Temperature Range		-40 to 105 degC	

### TEST CONDITIONS

Measurement instruments:

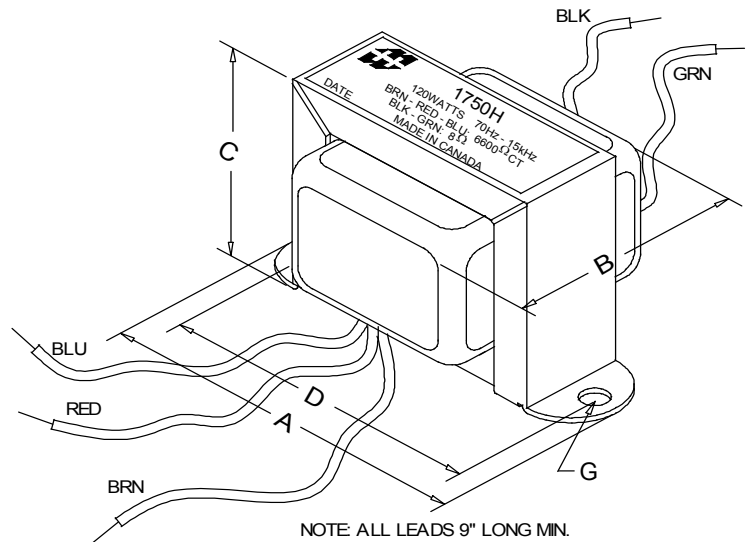
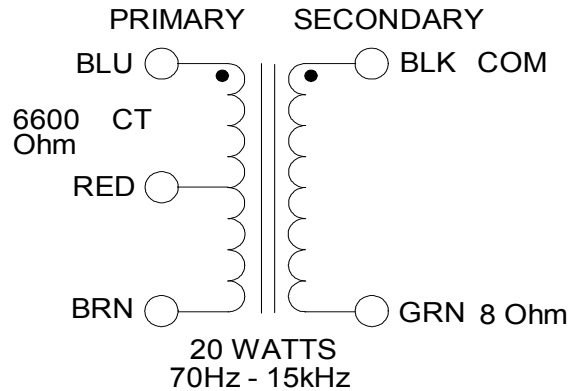
 D scope series iii audio analyzer  
 Wayne Kerr 3255B with a 3265B

Keithley 2010 DVM

Hp4192a impedance analyzer

\* All graphs input level 27dBu @1.0KHz reference.

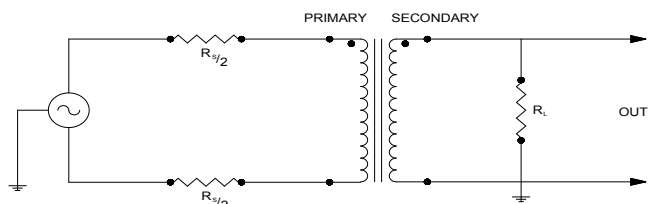
\*\*The results are typical and are subject to normal manufacturing and electrical tolerances.



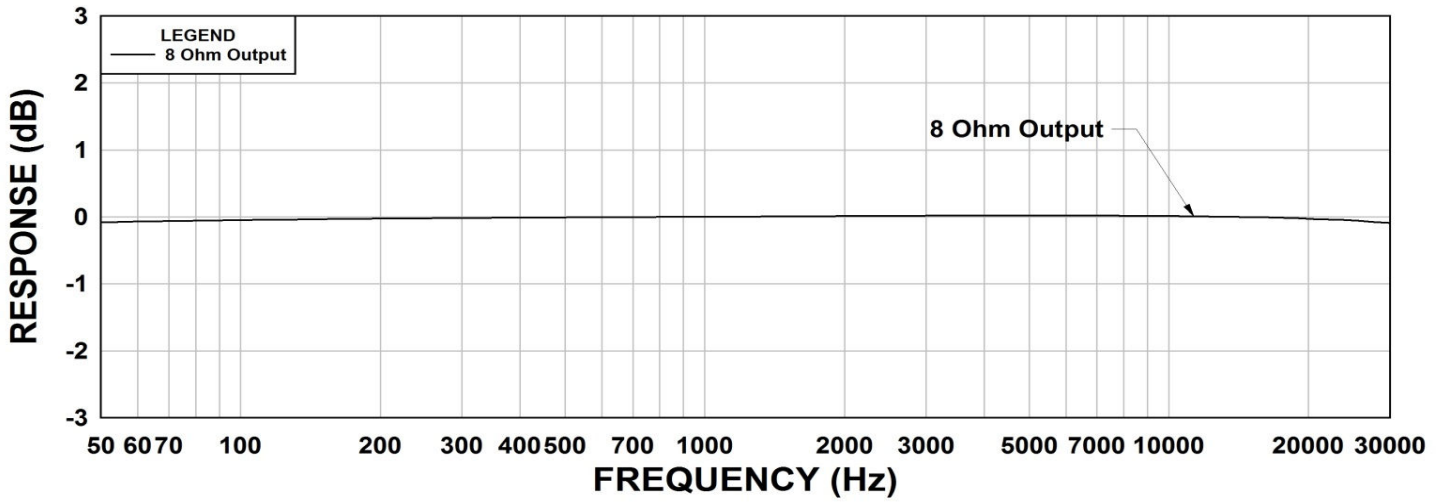
### Dimensions

A	3.7100" ±0.063	D	3.130" ±0.063
B	2.4000" ±0.125	G	0.187" ±0.015
C	2.308" ±0.063		

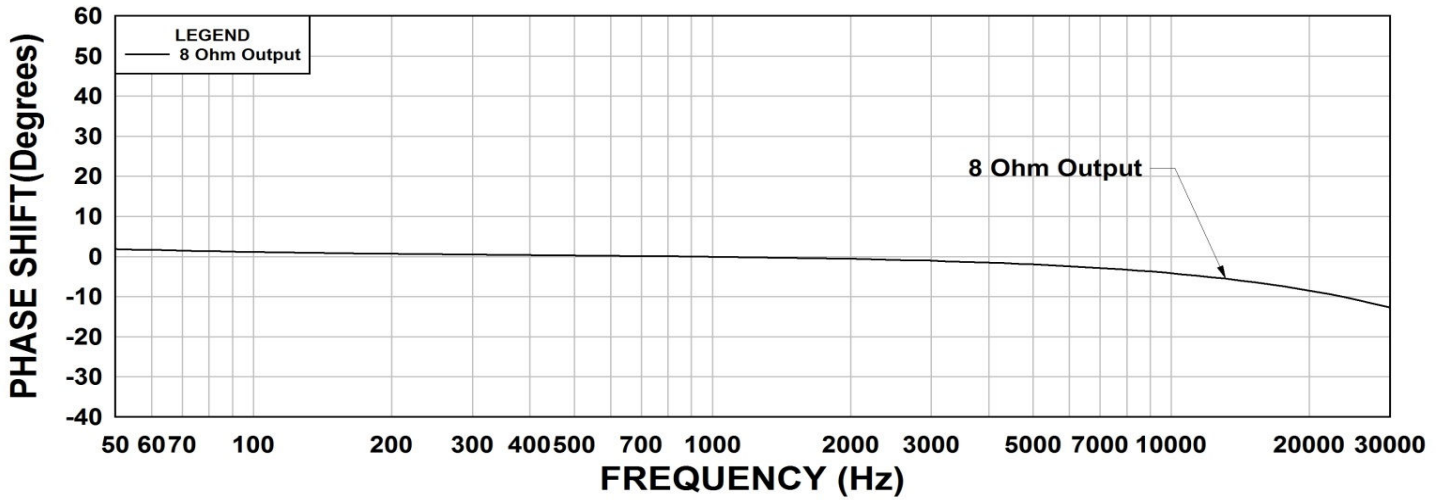
### TYPICAL TEST CIRCUIT



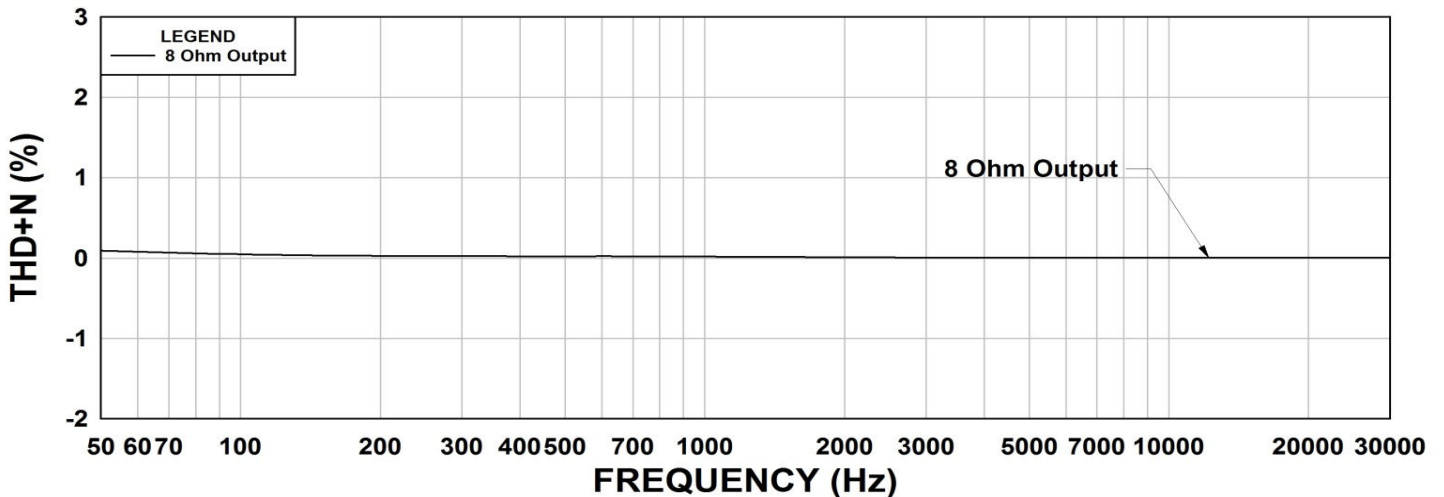
### 1750H Frequency Response RS = 6600 Ohms



### 1750H Phase Shift RS = 6600 Ohms



### 1750H THD+N RS = 6600 Ohms



This drawing and the information in it is the property of Hammond Manufacturing. It may not be reproduced, transmitted or used in any manner whatsoever without the written permission of Hammond Manufacturing. Data subject to change without notice.