

REV	DESCRIPTION	DATE

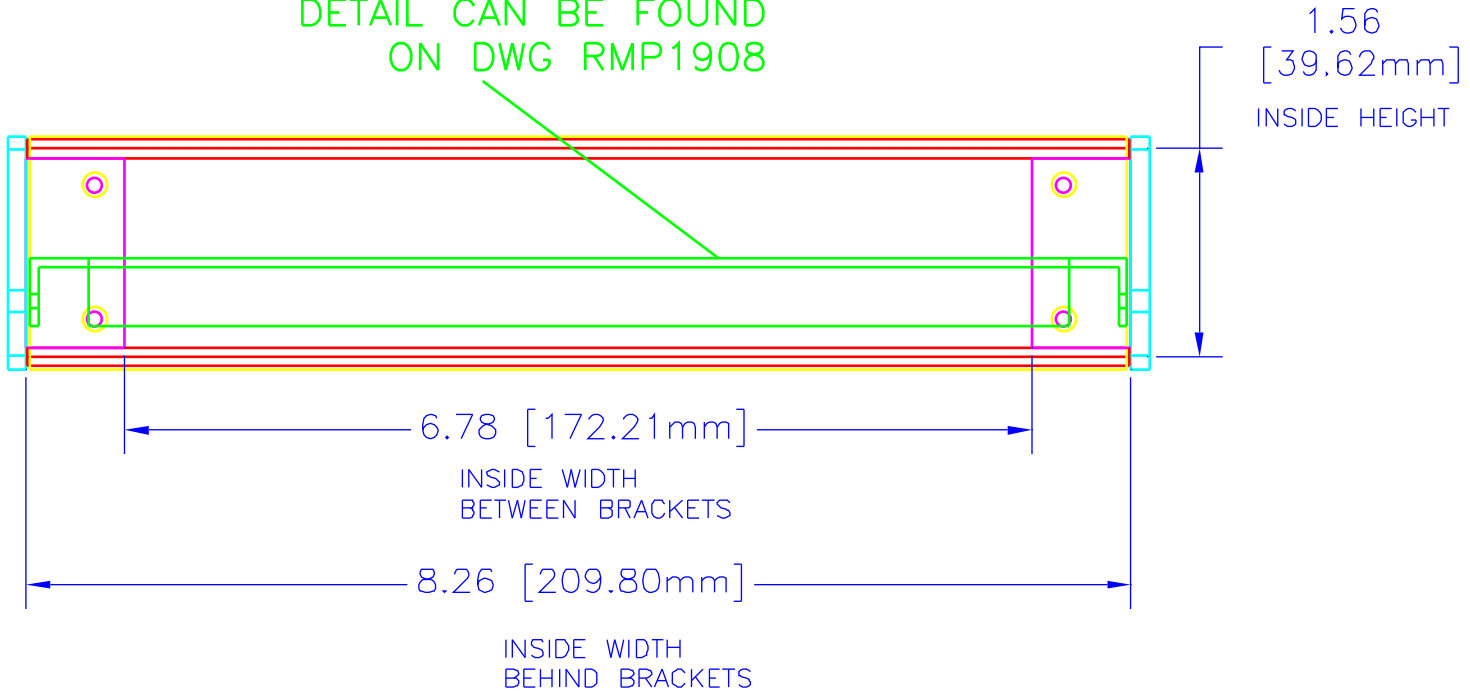
NOTES

MATERIAL TOP & BOTTOM 0.062" STEEL, SIDES, FRONT, REAR & HORIZONTAL SUPPORTS 0.125" ALUMINUM, DIMENSIONS ARE TAKEN WITH THE PAINTED SURFACE

FINISH TOP, BOTTOM & SIDE PANELS, TEXTURED BLACK, FRONT/REAR PANELS ON SMOOTH BLACK, ONE CONTEMPRA GRAY (RAL 7032), ALL POWDER PAINT,

FRONT VIEW

OPTIONAL CHASSIS
DETAIL CAN BE FOUND
ON DWG RMP1908



UNLESS OTHERWISE SPECIFIED
DIMENSIONS ARE IN INCHES

X +/- .1
XX +/- .02
XXX +/- .015
CUTS +/- .005
ANGLES +/- 5 DEG.



**HAMMOND
MANUFACTURING**

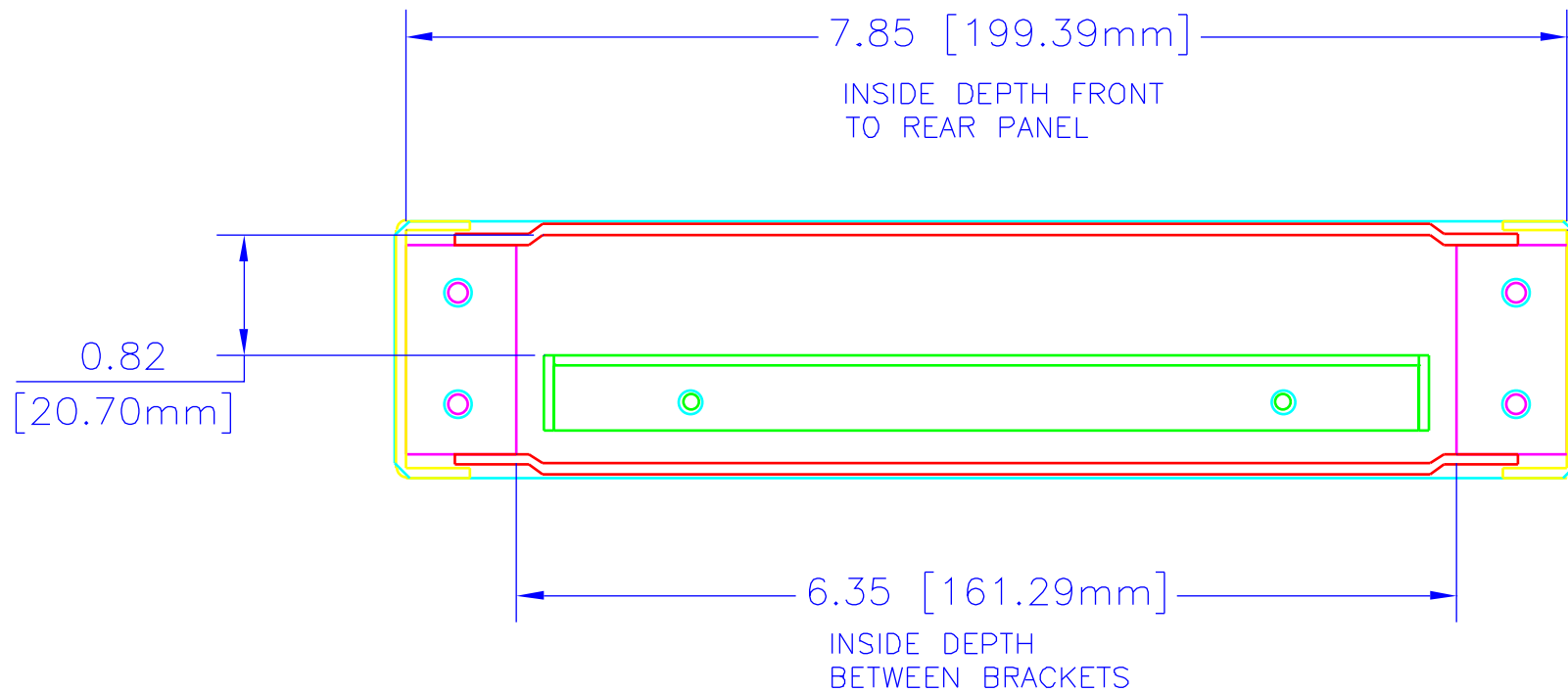
WEB: WWW.HAMMONDMFG.COM

TITLE HAMMOND RMCS SERIES
RACK ENCLOSURE

DRAWN BY MJM DATE 10/18/01
SCALE PAGE 1 OF 3

PART NUMBER
RMCS9018

SIDE VIEW



UNLESS OTHERWISE SPECIFIED
DIMENSIONS ARE IN INCHES
X +/- .1
XX +/- .02
XXX +/- .015
CUTS +/- .005
ANGLES +/- 5 DEG.

HAMMOND MANUFACTURING PROPRIETARY RIGHTS TO THE MATERIAL ON THE DRAWING IS INTENDED TO BE USED AS A REFERENCE FOR ENGINEERING INFORMATION ONLY. THIS INFORMATION MAY NOT BE USED TO MANUFACTURE PRODUCT WITHOUT WRITTEN PERMISSION FROM HAMMOND MANUFACTURING.



**HAMMOND
MANUFACTURING**

WEB: WWW.HAMMONDMFG.COM

TITLE HAMMOND RMCS SERIES
RACK ENCLOSURE

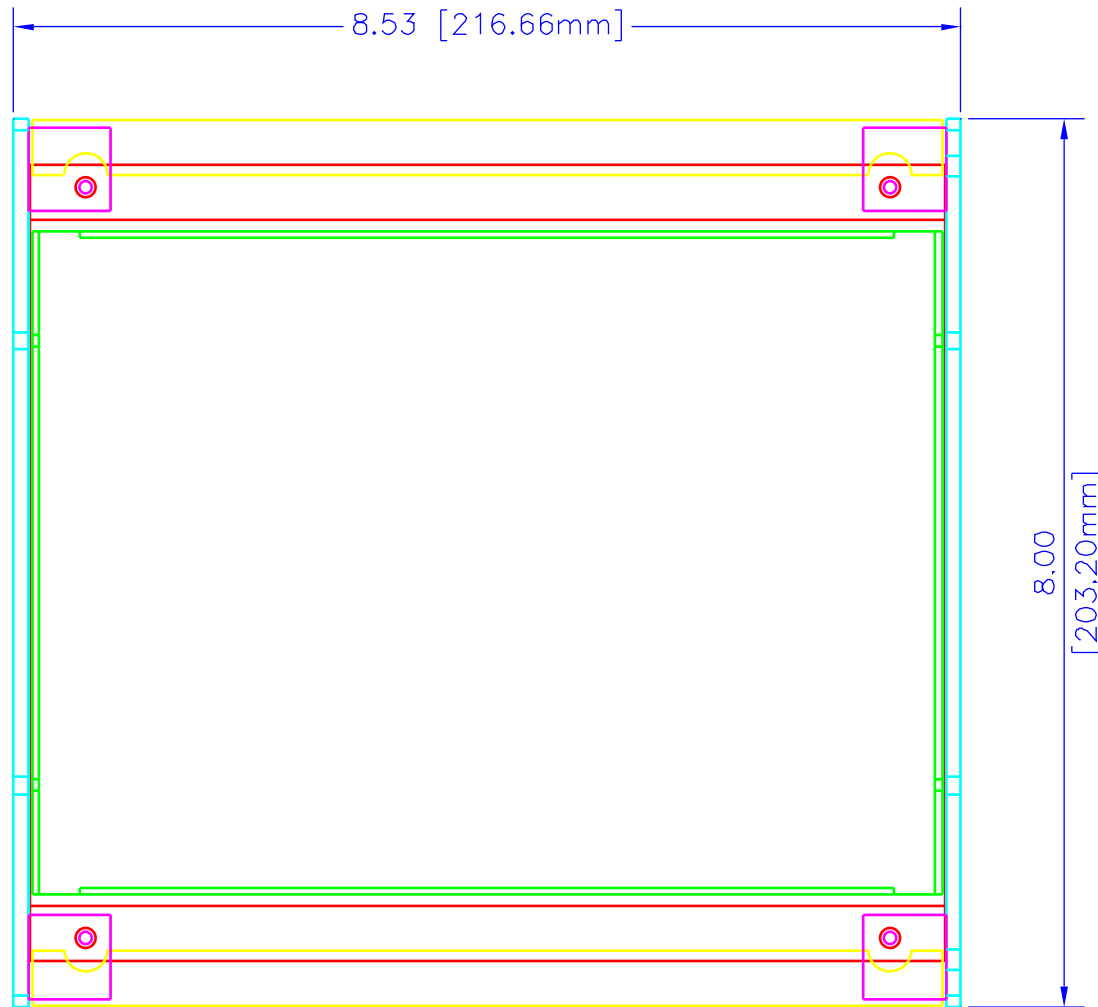
DRAWN BY MJM DATE 10/18/01

SCALE PAGE 2 OF 3

PART NUMBER

RMCS9018

TOP VIEW



UNLESS OTHERWISE SPECIFIED
DIMENSIONS ARE IN INCHES

X +/- .1
XX +/- .02
XXX +/- .015
CUTS +/- .005
ANGLES +/- 5 DEG.



**HAMMOND
MANUFACTURING**

WEB: WWW.HAMMONDMFG.COM

TITLE
HAMMOND RMCS SERIES
RACK ENCLOSURE

DRAWN BY MJM DATE 10/18/01

SCALE PAGE 3 OF 3

PART NUMBER

RMCS9018