

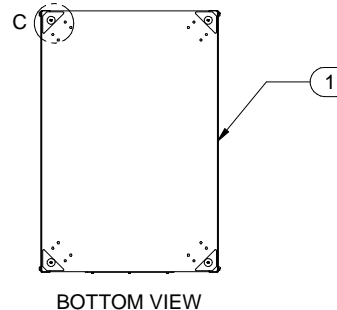
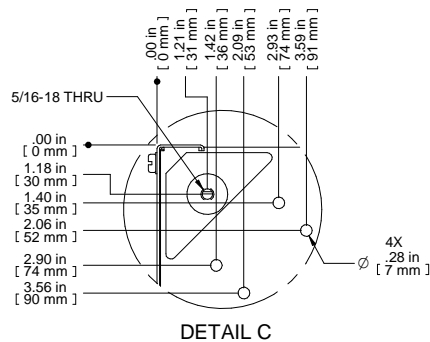
REAR VIEW

L.S. VIEW

FRONT VIEW

SECTION A-A

ISOMETRIC



DETAIL C

BOTTOM VIEW

Item Number	Title	Quantity
1	REFK - BOTTOM PANEL	1
2	REFK - SIDE PANEL	2
3	REFK - TOP PANEL	1
4	COMBINATION RAILS TAPPED (PAIR)	2
5	REFK - GLAND PLATE	1
6	SCREW 6-32X1/4 SELF TAPPING	6
7	FLAT NYLON WASHER 1/4" I.D.	8
8	NUT 1/4-20 KEP	8
9	SCREW 1/4-20 X 1/2	8

**PART NUMBERS**

REFK1905631BK1	PAINTED BLACK TEXTURED
REFK1905631LG1	PAINTED RAL7035 TEXTURED

**NOTES**

Shipped Knockdown for handling ease and protection.

**Français**

Pour tous les détails sur nos produits, svp veuillez consulter notre site [www.hammondmg.com](http://www.hammondmg.com).  
Data subject to change without notice. Isometric drawing not to scale.  
Les données sont sujettes à changement sans préavis.



PART NO. REFK1905631