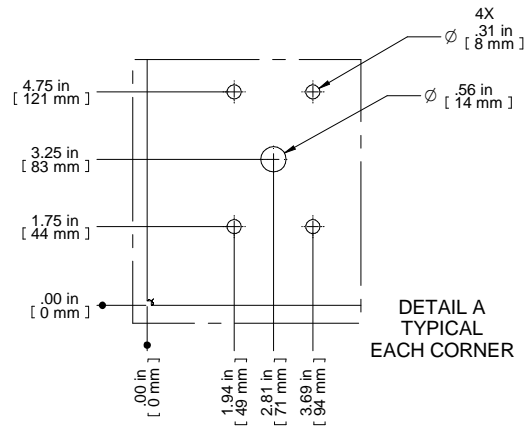
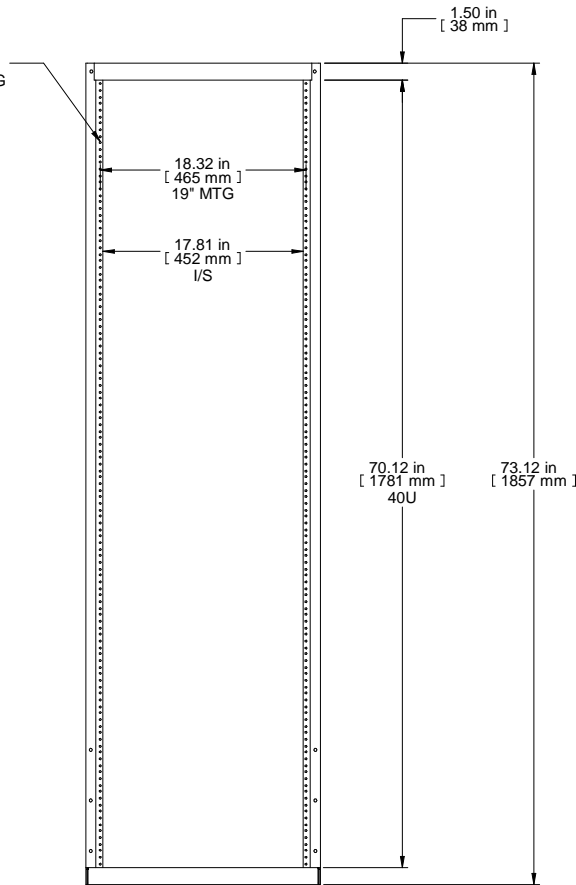


TOP VIEW

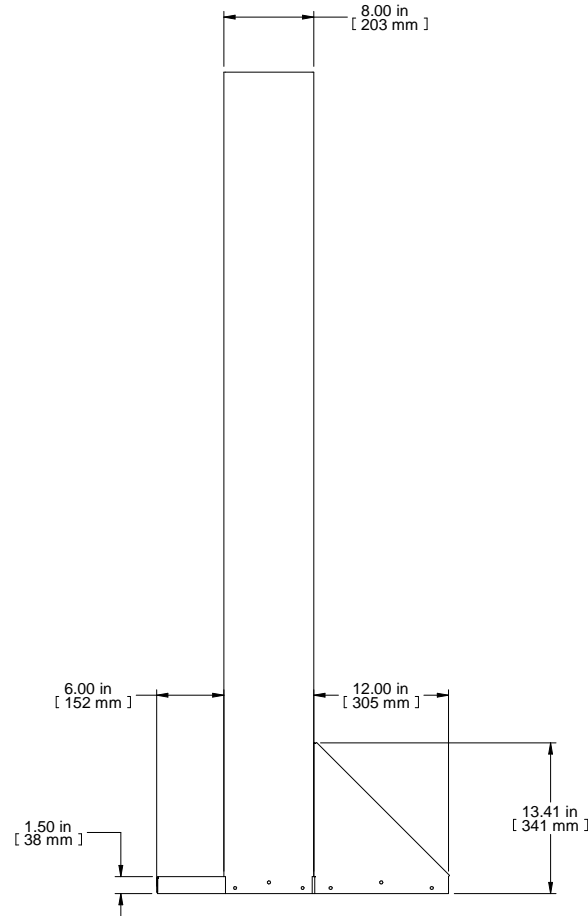


DETAIL A
TYPICAL
EACH CORNER

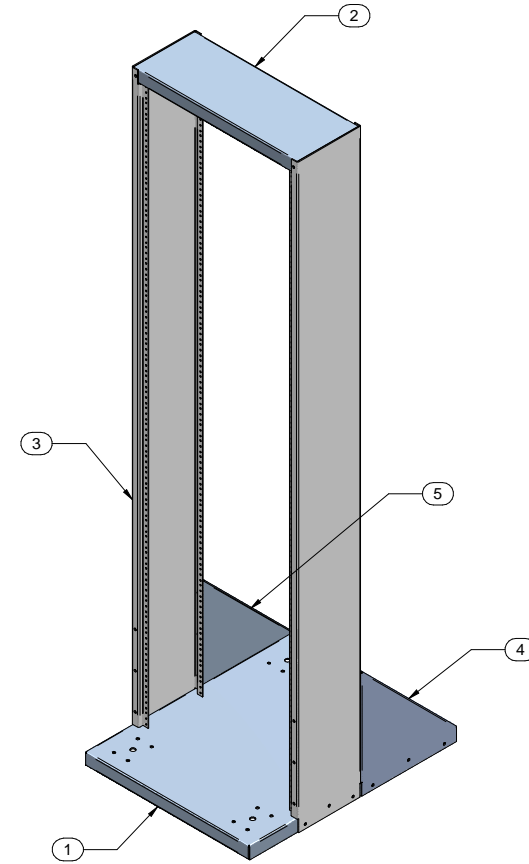
#10-32 UNF
STANDARD EIA SPACING
(FRONT & REAR)



FRONT VIEW



R.S. VIEW



Item Number	Title	Quantity
1	DNRRDCK - BASE	1
2	DNRRDCK - RAIL	2
3	DNRRDCK - TOP	1
4	DNRRDCK - R.H GUSSET	1
5	DNRRDCK - L.H GUSSET	1

PART NUMBERS
DNRR1970DCK | PAINTED BLACK THIN FILM

NOTES
Shipped Knock-Down for Ease and Protection
Assembly Hardware Included
See Hammond Website for More Information and Accessories

Français
Pour tous les détails sur nos produits,
svp veuillez consulter notre site www.hammondmfg.com
Data subject to change without notice. Isometric drawing not to scale.
Les données sont sujettes à changement sans préavis.



PART NO. **DNRR1970DCK**