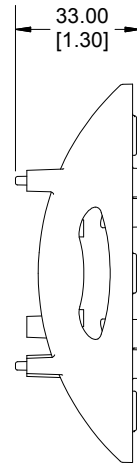
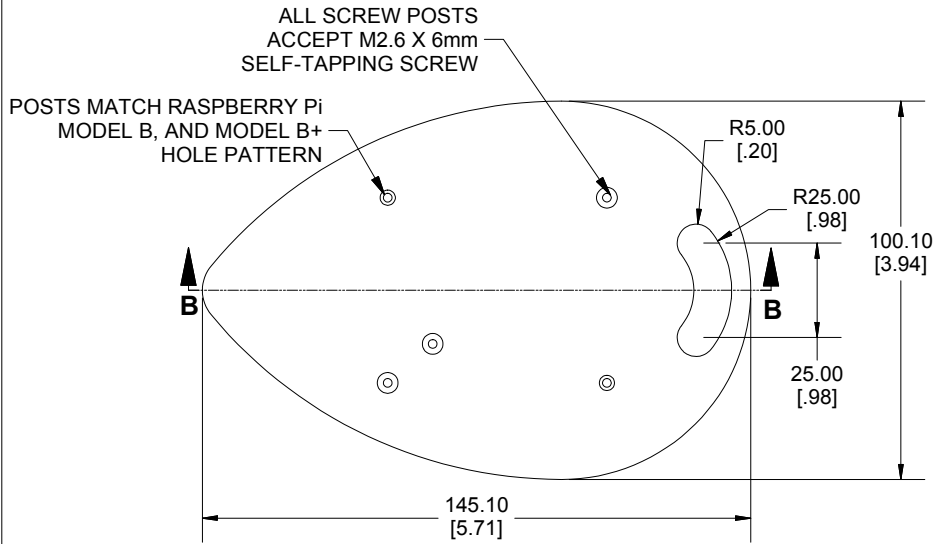
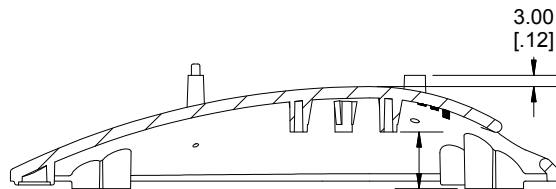


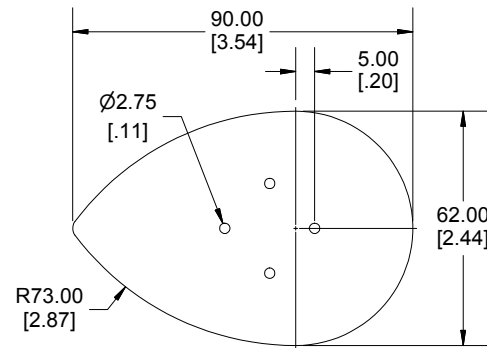
TOP VIEW



END VIEW



**SECTION B-B
SIDE VIEW**



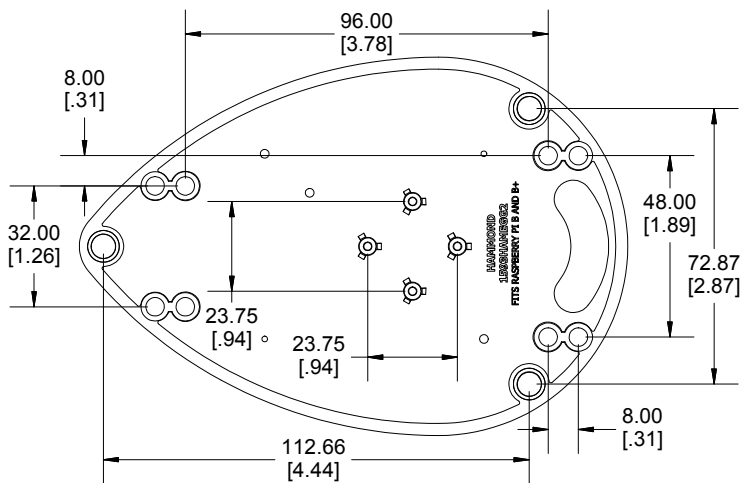
MAX SIZE PCB. THAT FITS UNDER BASE
NOT SUPPLIED WITH ASSEMBLY

Enclosures can be Factory Modified (Milling, Drilling, Printing etc.)
Contact Factory mjm@hammondmfg.com for quotes
Solid models of this enclosure available in STEP or IGES.

NOTE

Purchased assembly includes base, 3 rubber feet and 6 screws.
Molded from General Purpose ABS

Recommended Screw Torque -- 26-34 ozf.in (20-25 cN.m)



BOTTOM VIEW

Dimensions:
mm
[inches]

HAMMOND MANUFACTURING®
1593HAMEGG2
www.hammondmfg.com

1593HAMEGG2	
Translucent Black	1593HAMEGG2TBK
Translucent Blue	1593HAMEGG2TBU
Translucent Purple	1593HAMEGG2TPU
ACCESSORIES	
M2.6 X 6mm self tapping screw	SC519-50
Battery holder kit for 3 AAA cells	BH3AAAW
Battery holder kit for 4 AAA cells	BH4AAAW