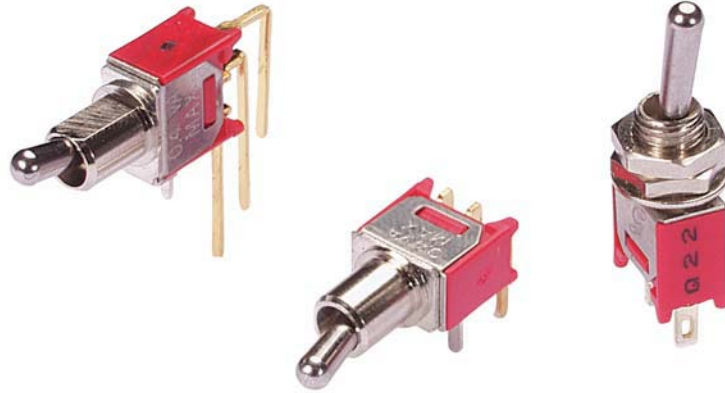


**SERIES 34C**  
Sub-Miniature Toggle Switches

**FEATURES**

- Save Space and Weight
- SPDT and DPDT Circuitry
- Choice of Actuators, Bushings, and Terminations
- UL Recognized

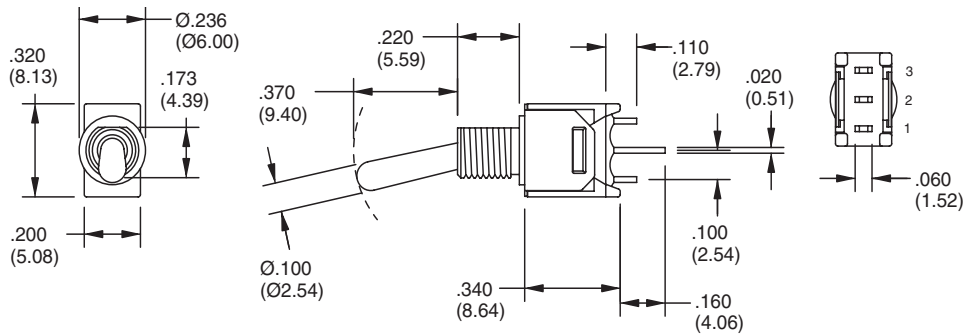


**MODELS** In inches (and millimeters)

**SPDT**

| MODEL NO.   | SWITCH POSITION |      |      |
|-------------|-----------------|------|------|
| MSP1        | ON              | NONE | ON   |
| MSP2        | ON              | NONE | (ON) |
| MSP3        | ON              | OFF  | ON   |
| MSP4        | (ON)            | OFF  | (ON) |
| MSP5        | ON              | OFF  | (ON) |
| TERM. COMM. | 2-3             | OPEN | 2-1  |

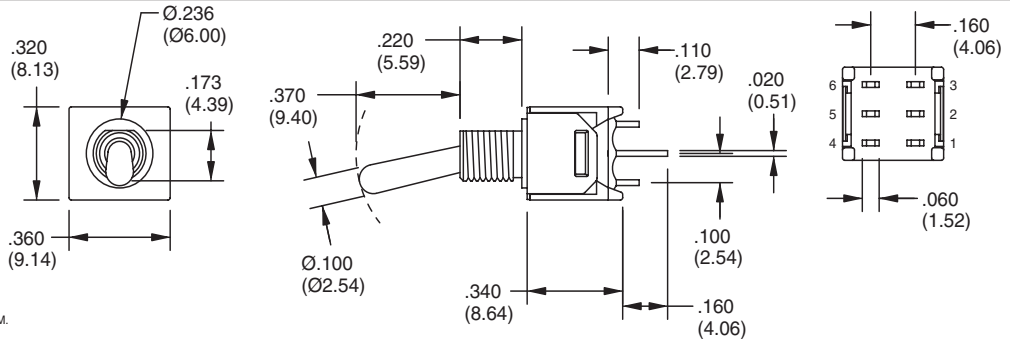
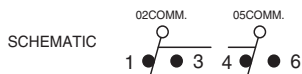
( )=MOMENTARY



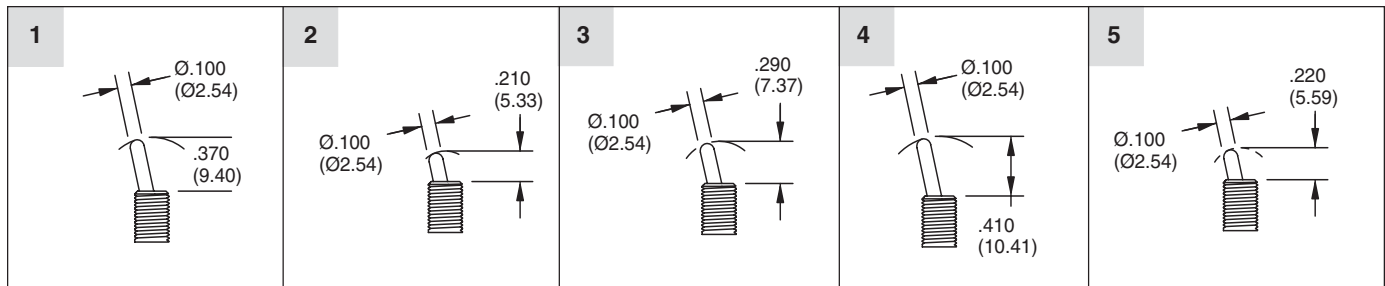
**DPDT**

| MODEL NO.   | SWITCH POSITION |      |          |
|-------------|-----------------|------|----------|
| MDP1        | ON              | NONE | ON       |
| MDP2        | ON              | NONE | (ON)     |
| MDP3        | ON              | OFF  | ON       |
| MDP4        | (ON)            | OFF  | (ON)     |
| MDP5        | ON              | OFF  | (ON)     |
| TERM. COMM. | 2-3, 5-6        | OPEN | 2-1, 5-4 |

( )=MOMENTARY



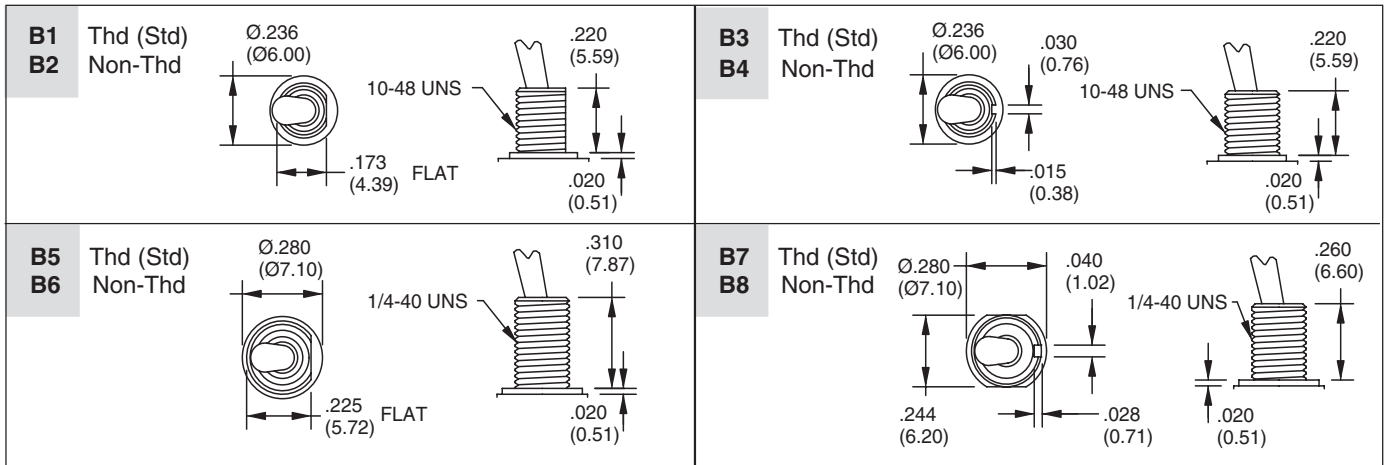
**ACTUATOR OPTIONS** In inches (and millimeters)



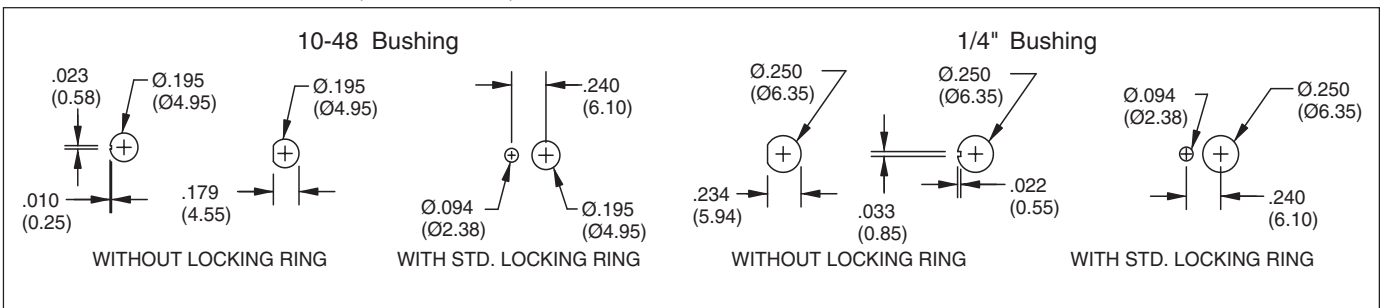
Actuator options 1, 2 and 3 shown with B1 to B4 bushing, subtract 0.90 (2.29) for bushing B5, subtract 0.40 (1.02) for B7 bushing.

Actuators 4 and 5 shown with B5 and B6 bushing, add 0.90 (2.29) for bushing B1 to B3, add 0.50 (1.27) for B7 bushing.

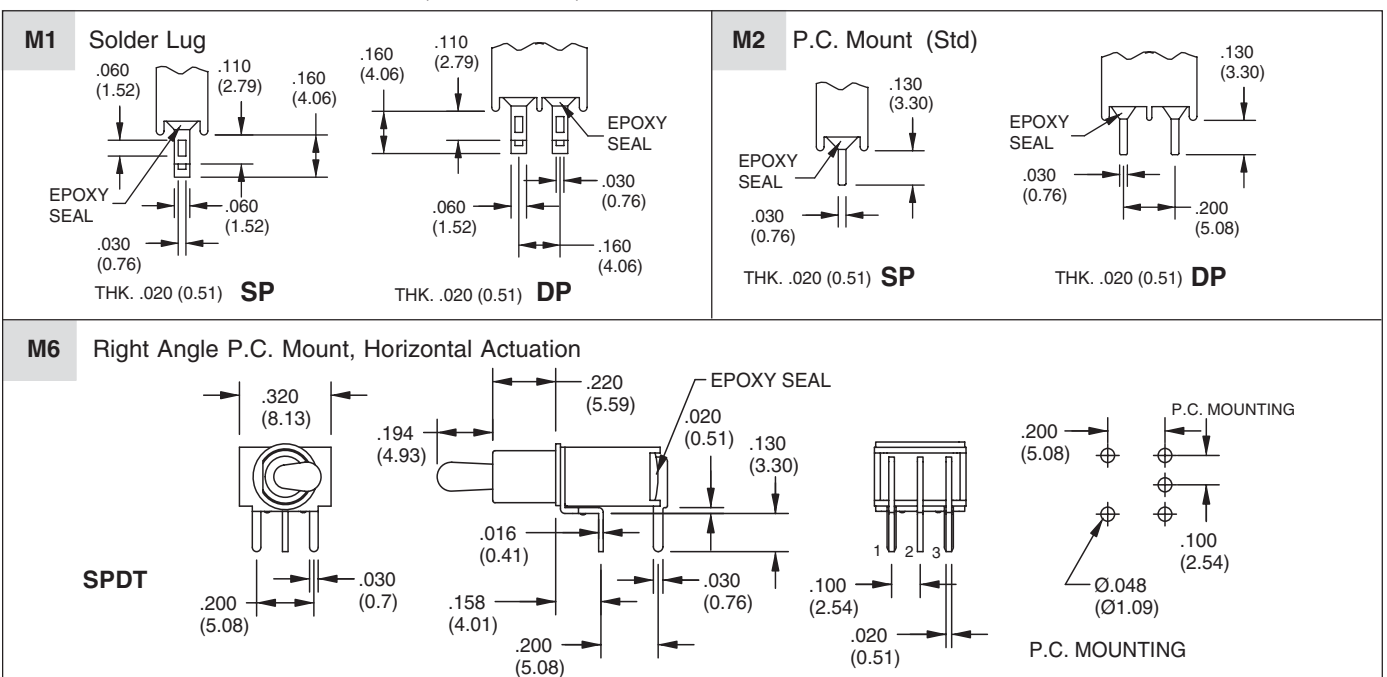
**BUSHING OPTIONS** In inches (and millimeters)



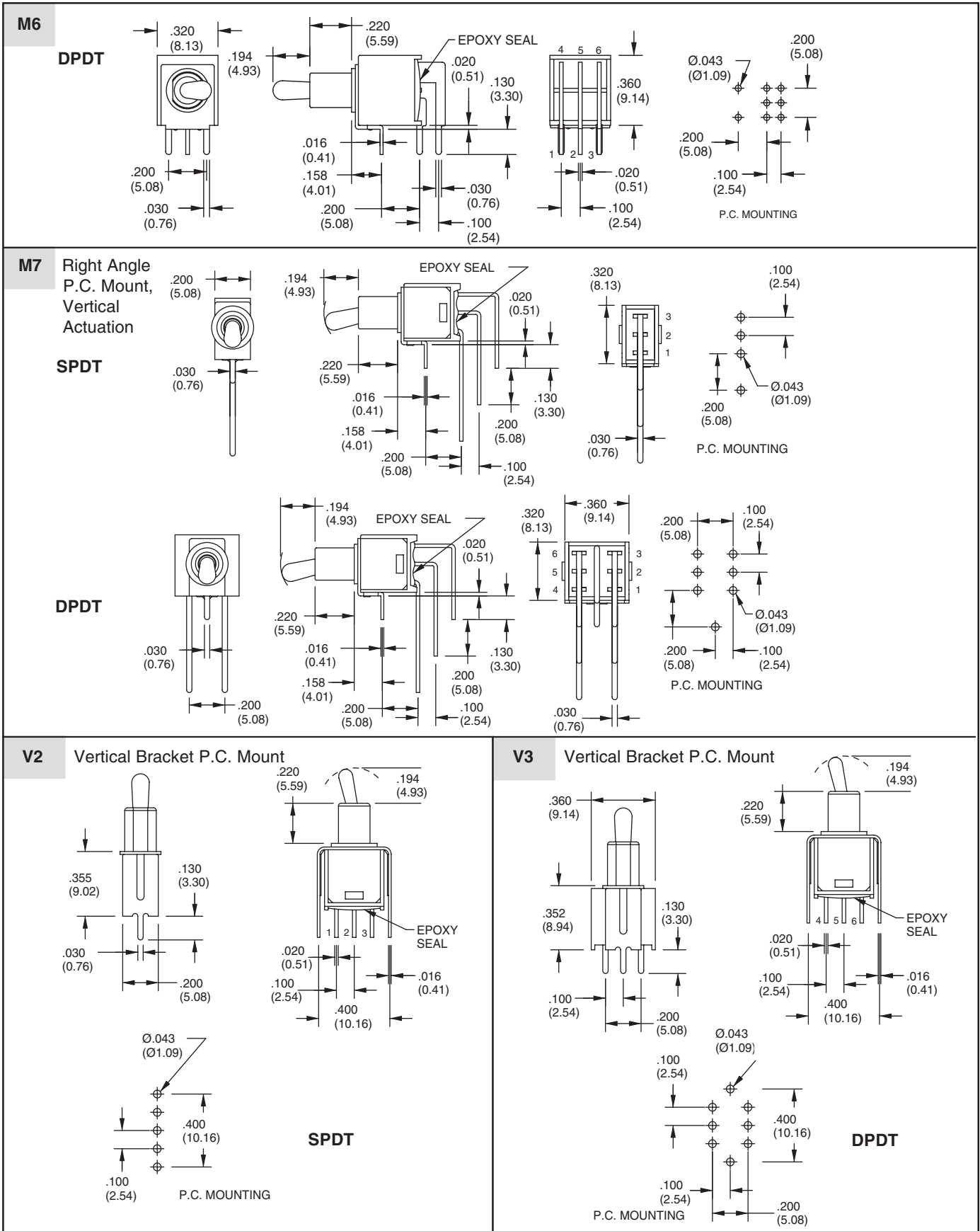
**PANEL MOUNTING** In inches (and millimeters)



**TERMINATION OPTIONS** In inches (and millimeters)



TERMINATION OPTIONS In inches (and millimeters)



Toggle Switches

**SPECIFICATIONS**

**RATINGS**

**Contact Rating:** Q option - 3A with resistive load @ 125VAC or 28 VDC; 1.5A with resistive load @ 250 VAC. R option-0.4 VA max @ 20 Vmax (AC or DC)

**Electrical Life:** 30,000 make-and-break cycles at full load

**Contact Resistance:** 10 milliohms max. initial @ 2-4 VDC, 100 mA

**Insulation Resistance:** 1,000 megaohms minimum

**Dielectric Strength:** 1,000 V RMS @ sea level

**Operating Temperature:** -30°C to 85°C

**UL Recognition:** File number is E35289

**MATERIALS**

**Case:** Diallyl phthalate (DAP) (UL 94V-0)

**Toggle Handle:** Brass, chrome plated

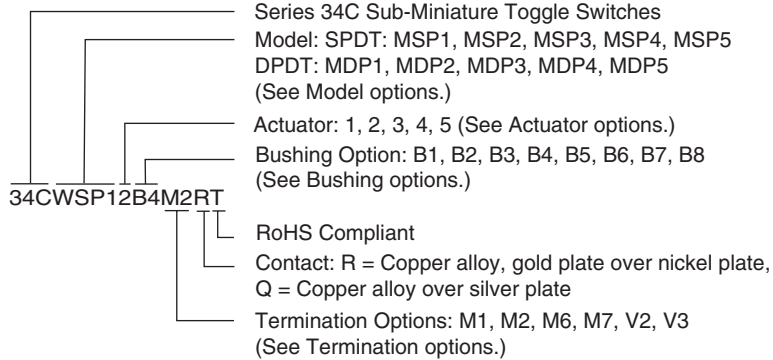
**Bushing:** Brass, nickel plated

**Housing:** Stainless steel

**Terminal/Switch Support:** Brass, electrotin plated

**Terminal Seal:** Epoxy

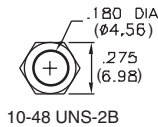
**ORDERING INFORMATION**



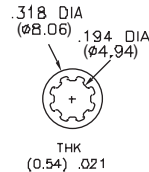
Available from your local Grayhill Component Distributor. For prices and discounts, contact a local Sales Office, an authorized local Distributor or Grayhill.

**HARDWARE** In inches (and millimeters)

**NUT**



**LOCK WASHER**



HDW22