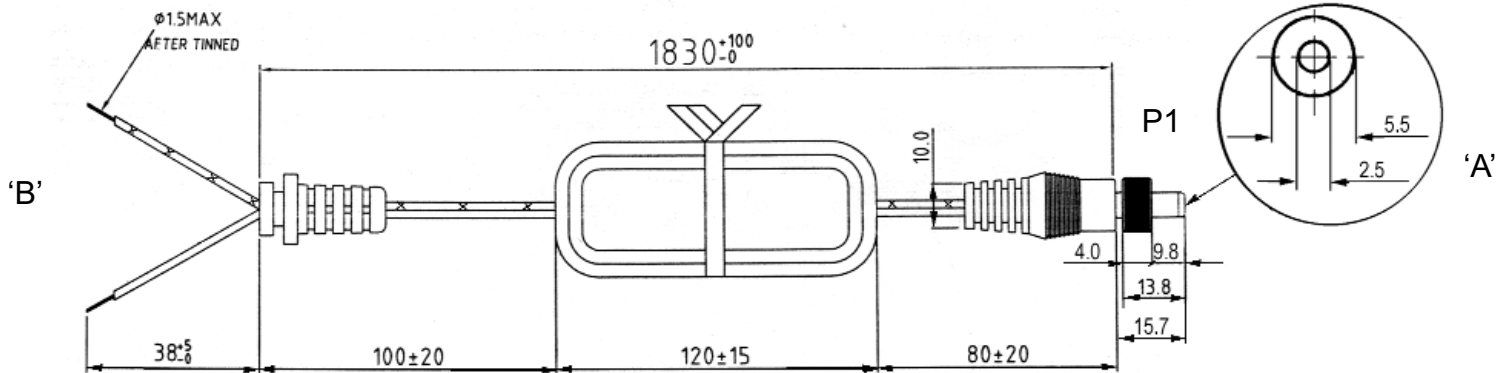


PROPRIETARY INFORMATION:  
 PROPRIETARY OF GLOBTEK, INC. ANY REPRODUCTION, DISCLOSURE OR  
 USE OF THIS DRAWING, IN WHOLE OR IN PART, IS HEREBY  
 PROHIBITED EXCEPT AS SPECIFIED IN WRITING BY GLOBTEK, INC.

REVISION			
REV	DESCRIPTION	DATE	APPROVED
A	INITIAL RELEASE	02/18/03	PM
B	UPDATE TAB., RFS. 12495, BS	11/21/07	HM
C	ADD PACKING DETAIL, RFS. 18184, BS	03/01/10	HM



**GENERAL SPECIFICATIONS:**

CABLE TYPE / SIZE: SPT-1 CORD, 18 AWG X 2, STRANDED WIRE  
 VW-1, 300V, 75°C RATED, PVC JACKET  
 CABLE JACKET COLOR: BLACK  
 POLARITY: IDENTIFIED CONDUCTOR (STRIPE OR RIB)  
 IS TO BE CONNECTED TO CENTER OF BARREL.  
 OVERALL LENGTH : 1830 +100, -0 mm ( 6 Ft )  
 CABLE OUTER DIAMETER: 2.7 x 5.4 ± 0.1 mm  
 END 'A' TERMINATION (P1): LOCKING FEMALE BARREL 5.5 x 2.5 mm WITH THUMB SCREW 4.0 mm  
 END 'B' TERMINATION: SEE TABLE  
 STRAIN RELIEF: SR2 TYPE FOR GT-21097 ENCLOSURE


**PACKING:**

BULK PACKED, BUNDLES OF 25.  
 MAXIMUM SHIPPING CARTON WEIGHT IS 30 KG.  
 CARTON SIZE: 46\*37\*25  
 WEIGHT: 0.6 kg  
 250 pcs PER CARTON

COLOR	SPLIT (mm)	STRIP& TIN(mm)
RIBBED	38	6
SMOOTH	38	6

**NOTES:**

1. Dimensions are in mm unless specified otherwise.
2. (P1) Standard DC Power Plug molded with Strain Relief per Standard tooling.
3. Lead wires are to be stripped, twisted and tinned to length shown.

DASH NO.	PART NO	REV.	DESCRIPTION	NOTES
<b>TABULATION BLOCK</b>				
		<b>TOLERANCES:</b> DECIMALS ANGULAR .xx +/- 0.01 +/- 1° .xxx +/- .005		 <b>GlobTek, Inc.</b> www.globtek.com 186 Veterans Dr. Northvale, NJ 07647 Tel. 201-784-1000 Fax 201.784.0111
		<b>MILLIMETERS ANGULAR</b> .x +/- 1.0 +/- 1° .xx +/- 0.5		
INIT.BY: EM	DATE: 02/18/03	FSCN No.: G, CC	SIZE: A	DWG TITLE: LOW VOLTAGE DC CORDSET LOCKING FEMALE BARREL 2.5 mm ID W/4.0 mm THUMB SCREW
DRAWN: NF	DATE: 02/18/03	SCALE: NONE		REV. C
APRVD: BS	DATE: 02/18/03	PART NO: <b>LL21106F0A00(R)</b>		SHEET 1/1

Foot Note:  
 Globtek Inc. will not be liable for the safety and performance of these power product if unauthorized access and repair occurs. End user should consult the applicable UL, CSA or EN Standards for proper installation instruction.

Limitation of Use:  
 Globtek product are not authorized for use as mission critical components in life support, hazardous environment, nuclear or aircraft applications without prior written approval from the CEO of Globtek Inc.

Contents of this document are subject to change without prior notice