

PROPRIETARY INFORMATION:

PROPRIETARY OF GLOBTEK, INC. ANY REPRODUCTION, DISCLOSURE OR USE OF THIS DRAWING, IN WHOLE OR IN PART, IS HEREBY PROHIBITED EXCEPT AS SPECIFIED IN WRITING BY GLOBTEK, INC.

REVISION HISTORY

REV	DESCRIPTION	SALES	RFS	DATE	APPROVED
A	INITIAL RELEASE	BS	26018	7/23/2015	HM

By customer signing or accepting this document, they agree to acknowledge and accept the **Guidelines and cautions, Safety Notes, and Safety Precautions published on GlobTek's website**

http://en.globtek.com/safety-cautions.php#.UUD-NRzU_I8

The purchaser of this product (Customer) agrees that it is its sole responsibility to determine suitability of the products described for their purpose and to take precautions for protection against any hazards attendant to the handling and use of the products.

Products sold are not returnable. GlobTek, Inc. will produce or provide its products to its published specifications;

The purchaser of this product (Customer) shall be solely responsible for determining the products' fitness for use in its applications.

Customer Approval of Specification:

Please approve, sign and send back to GlobTek so we can complete order processing.

A delay in receipt of this form will delay delivery schedule.

Company Name:

Customer P/N:

Quote Number:

Date:

Authorized Representative Name:

Authorized Representative Signature:

RELEASED
By N.Frost at 3:51 pm, Jul 24, 2015

Foot

Limitation of Use:

Globtek product are not authorized for use as mission critical components in life support hazardous environment, nuclear or aircraft applications without prior written approval from the CEO of Globtek Inc.

Contents of this document are subject to change without prior notice

 GlobTek, Inc. www.globtek.com	Drawing Title: Li-Ion PRISMATIC BATTERY PACK	
	3.7 VOLTS @ 2200 mAh	
186 Veterans Drive, Northvale, NJ 07467 Tel. 201-784-1000 Fax 201-784-0111	MODEL NO: 603450	
	PART NO: BL2200F6034501S2PPMK	REV A

PROPRIETARY INFORMATION:

PROPRIETARY OF GLOBTEK, INC. ANY REPRODUCTION, DISCLOSURE OR USE OF THIS DRAWING, IN WHOLE OR IN PART, IS HEREBY PROHIBITED EXCEPT AS SPECIFIED IN WRITING BY GLOBTEK, INC.

1. GENERAL SPECIFICATION:

BATTERY WITH SAFETY CIRCUIT AND PLASTIC HOUSING

CELL:	603450
PCM:	GLOBTEK STANDARD
NTC:	N/A
ID:	N/A
CONFIGURATION:	1S2P
WEIGHT:	APPROX. 15.5 G

2. ELECTRICAL SPECIFICATION:

RATED CAPACITY:	2000 mAh MIN, 2200mAh TYPICAL
NOMINAL VOLTAGE:	3.7
WATT-HOUR RATING:	8.14WH
CHARGING METHOD:	CONSTANT CURRENT + CONSTANT VOLTAGE
MAX. CHARGE VOLTAGE [V]:	4.20 (±50mV)
CHARGE CURRENT:	0.5C TYPICAL / 1.0C MAXIMUM
REC. CHARGE CUT OFF:	BY CURRENT 50mA OR TIMER 4H
MAX. CONTINUOUS DISCHARGE CURRENT:	IC
REC. DISCHARGE CUT OFF:	3V
INTERNAL IMPEDANCE:	≤70 mΩ
EXP. CYCLE LIFE:	>500 CYCLES > 70% OF INITIAL CAP. (0,5C/0,5C)
CELL PROTECTION:	
OVER CHARGE DETECTION:	4.3 ±0.02V (0.8 TO 1.2 SEC. DELAY, RESUME 4.1 ±0.03V)
OVER DISCHARGE DETECTION:	2.40 ±0.035V (76,8 to 115msec. DELAY, RESUME REMOVE LOAD & CHARGING CURRENT)
OVER CURRENT DETECTION:	3.2A to 4.2 A (9.6 to 14.4 msec. DELAY)

3. AMBIENT CONDITIONS

TEMPERATURE RANGE:	
CHARGE:	0 TO +45°C
DISCHARGE:	-20 TO +60°C
CHARGE RETENTION/STORAGE [%]:	1 YEAR AT -20 TO +20°C >80% 3 MONTHS AT -20 TO +45°C >80% 1 MONTH AT -20 To +60°C >80%
HUMIDITY:	65 ±20%RH

4. ENVIRONMENTAL AND SAFETY

PLEASE FOLLOW GlobTek, Inc. HANDLING AND SAFETY PRECAUTIONS FOR Lilon & LiPolymer.

5. CELL REGULATORY APPROVALS:

UL:	CELL APPROVED TO UL 1642
-----	--------------------------

5 BATTERY PACK APPROVALS:

RoHS:	COMPLIES WITH EU 2002/95/EC AND CHINA SJ/T 11363-2006
CE Mark:	COMPLIES WITH 2004/108/EC ELECTROMAGNETIC COMPATIBILITY INCLUDING BUT NOT LIMITED TO EN61000-6-1:2007, EN61000-6-3:2007
TRANSPORTATION:	PACK DESIGNED TO MEET un38.3

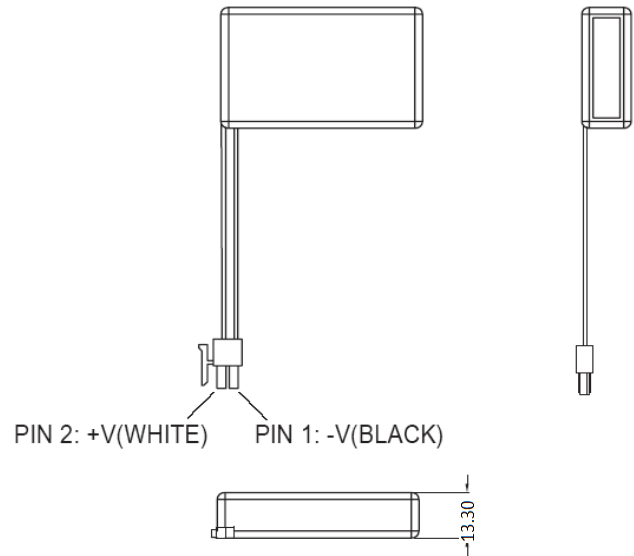



PROPRIETARY INFORMATION:


PROPRIETARY OF GLOBTEK, INC. ANY REPRODUCTION, DISCLOSURE OR USE OF THIS DRAWING, IN WHOLE OR IN PART, IS HEREBY PROHIBITED EXCEPT AS SPECIFIED IN WRITING BY GLOBTEK, INC.


6. MECHANICAL:

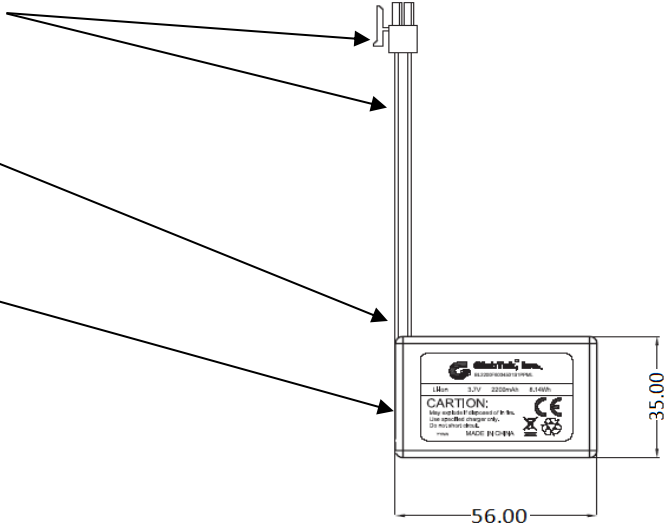
DIMENSIONS:	56.00 x 35.00 x 13.30 mm
SHRINK WRAP:	BLUE PVC
WIRE TYPE:	2 x 20AWG, WITH ROUND SILICON
	RUBBER OVERALL JACKET (ANY COLOR).
	EXAMPLE CABLE TYPE H05SS-F FOR
	REFERENCE ONLY.
WIRE LENGTH:	100 mm +/- 5.0
WIRE POLARITY:	WHITE POSITIVE (+)
WIRE POLARITY:	BLACK NEGATIVE (-)
STRIP LENGTH:	SEE TERMINALS NEXT PAGE
TIN LENGTH:	N/A
ADDITIONAL REQUIREMENTS:	SEE TERMINALS NEXT PAGE



 CABLE JACKET AND STRAIN RELIEF OVERMOLD NOT SHOWN (SEE PAGE 5)

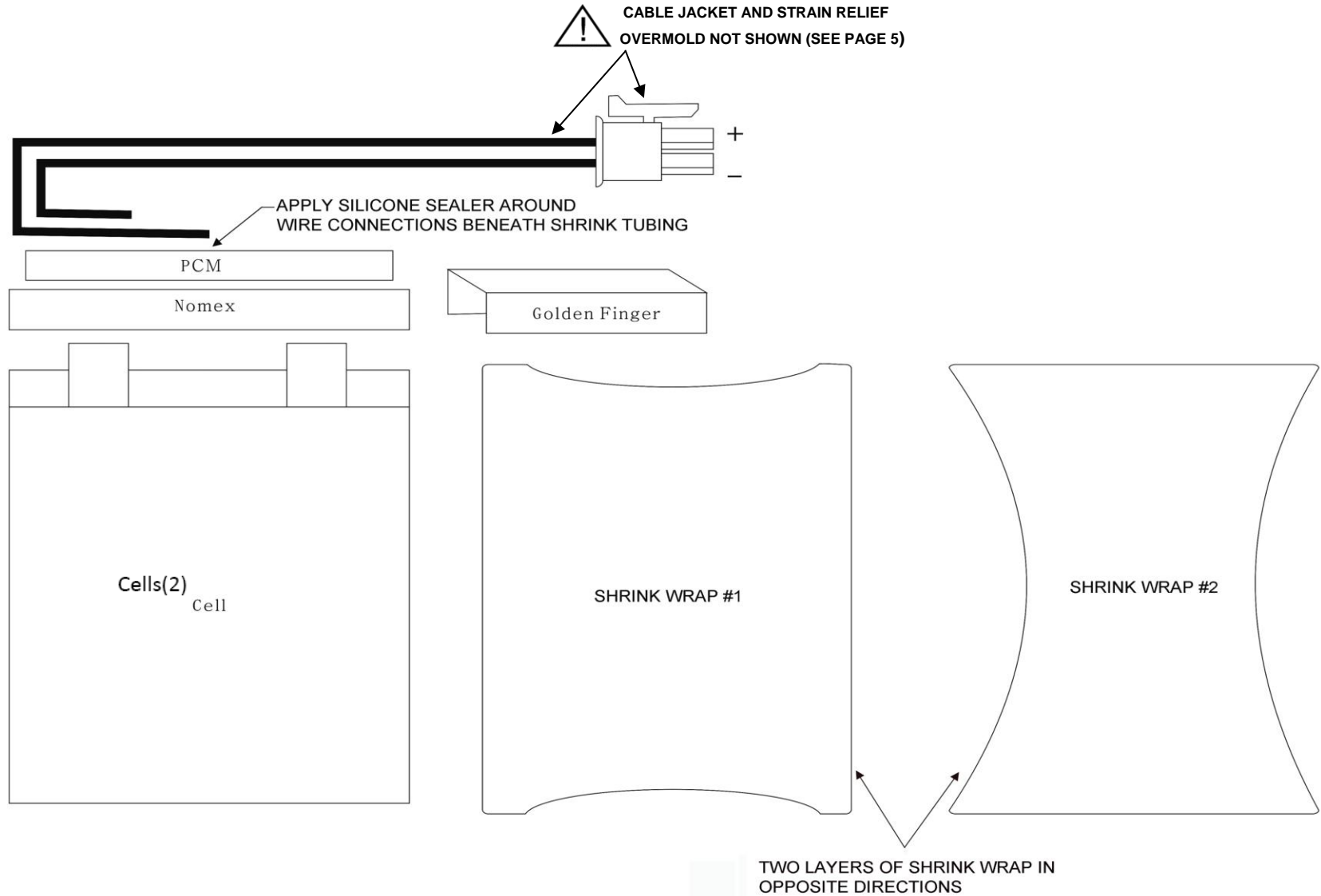
 WIRES MUST EXIT FROM SIDE OF BATTERY PACK

 PCM MUST BE LOCATED ON TOP OF PACK



[ADDITIONAL OUTPUT PLUG OPTIONS ARE AVAILABLE BY CLICKING THIS LINK.](#)
[STANDARD PLUGS AND CONNECTORS CAN BE SEEN ONLINE BY CLICKING THIS LINK](#)

EXPLODED VIEW

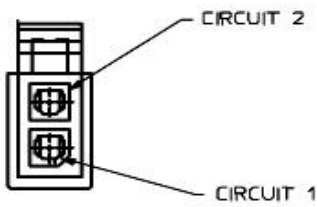


7. OUTPUT CONNECTOR:

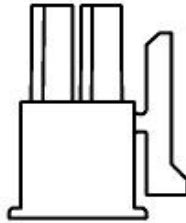
ACTUAL CONNECTOR'S, OVERMOLDS, MAY VARY SLIGHTLY FROM THE PICTURE BELOW



MOLEX CONNECTOR MUST BE USED
(NO EQUIVALENT)

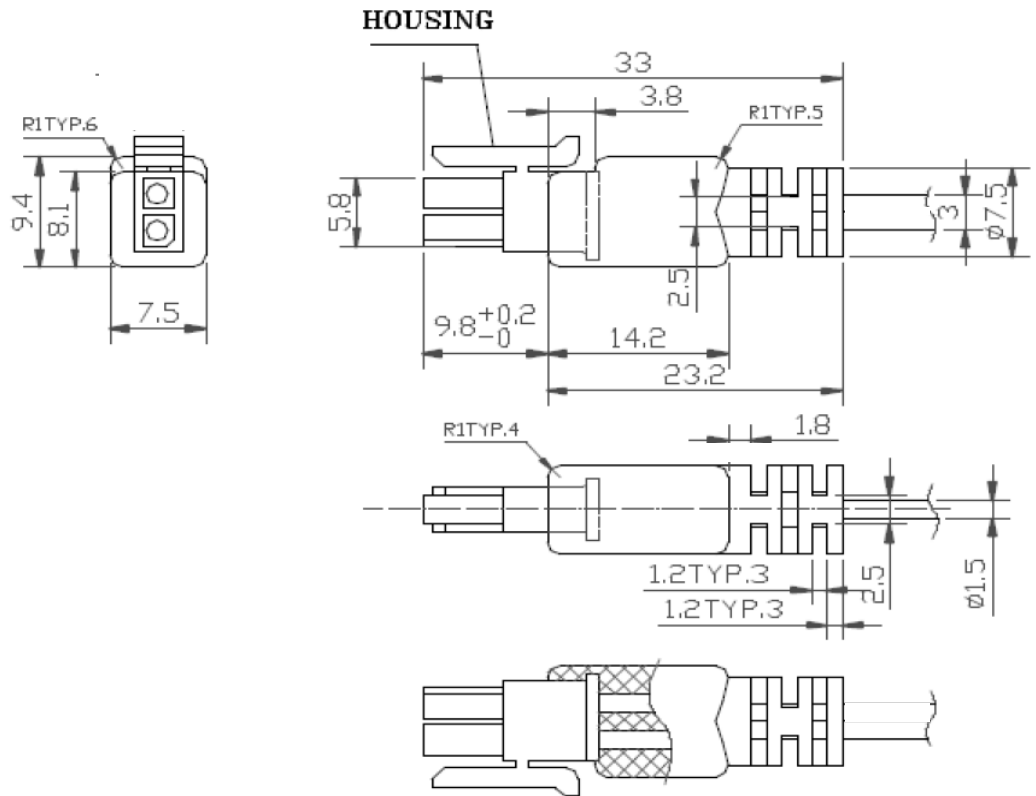


2 CIRCUIT HOUSING



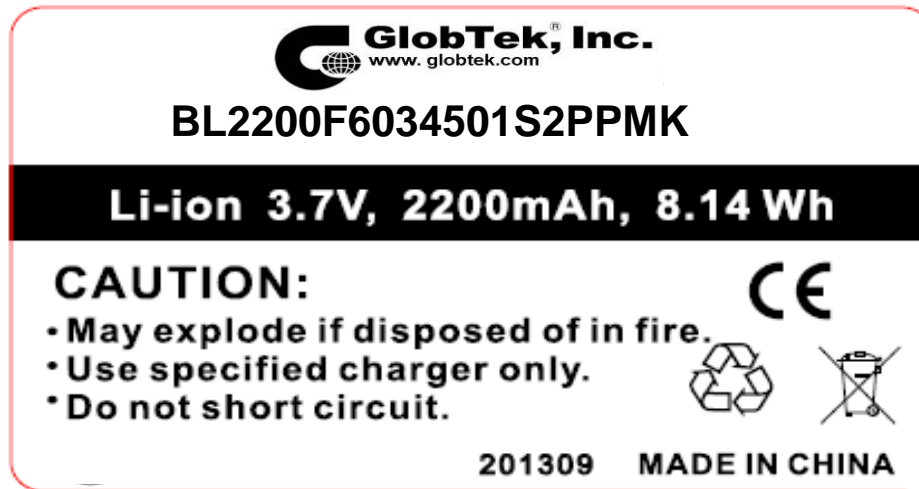
PIN 1: -V(BLACK)
PIN 2: +V(WHITE)

	EQUIVALENT	Y / N
PLUG TYPE		N
		MOLEX 43025-0200, 2 POS WITH OVERMOLD
CONTACTS		N
PIN 1		BLACK (-V)
PIN 2		WHITE (+V)
ADDITIONAL REQUIREMENTS		N/A



8. LABEL:

MATERIAL:	TBD
BACKGROUND COLOR:	WHITE
TEXT COLOR:	BLACK
LABEL WIDTH: (mm)	TBD
LABEL HEIGHT: (mm)	TBD
ADDITIONAL REQUIREMENTS:	N/A



PROPRIETARY INFORMATION:

PROPRIETARY OF GLOBTEK, INC. ANY REPRODUCTION, DISCLOSURE OR USE OF THIS DRAWING, IN WHOLE OR IN PART, IS HEREBY PROHIBITED EXCEPT AS SPECIFIED IN WRITING BY GLOBTEK, INC.

9. PACKAGING:

PE BAG SIZE	TBD
CARTON SIZE:	TBD
QUANTITY PER CARTON:	TBD
G.W.	TBD

 **GlobTek, Inc.**

www.globtek.com

186 Veterans Drive, Northvale, NJ 07467

Tel. 201-784-1000 Fax 201-784-0111

Drawing Title: Li-Ion PRISMATIC BATTERY PACK

3.7 VOLTS @ 2200 mAh

MODEL NO: 603450

PART NO: BL2200F6034501S2PPMK

REV A