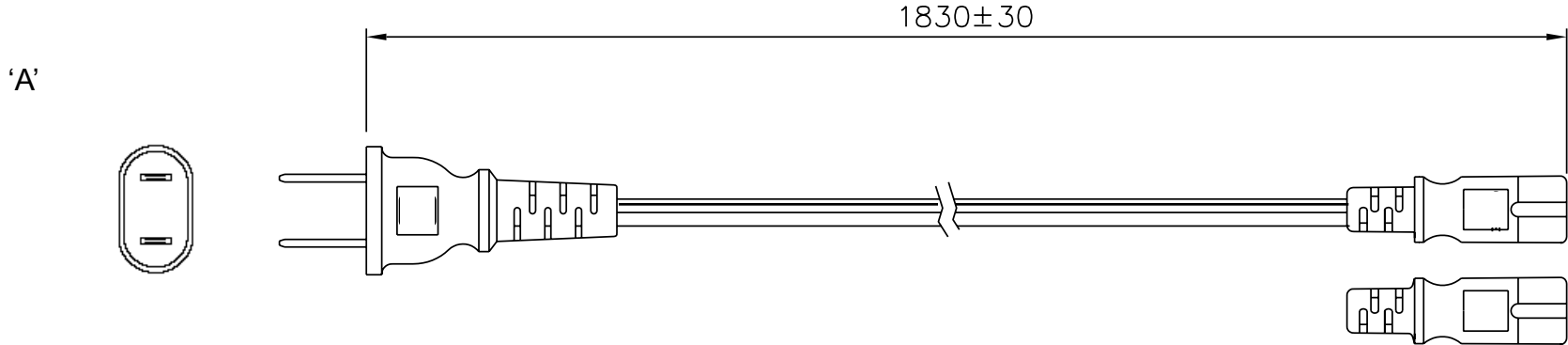


**PROPRIETARY INFORMATION:**  
 PROPRIETARY OF GLOBTEK, INC. ANY REPRODUCTION, DISCLOSURE OR USE OF THIS DRAWING, IN WHOLE OR IN PART, IS HEREBY PROHIBITED EXCEPT AS SPECIFIED IN WRITING BY GLOBTEK, INC.

REVISION			
REV	DESCRIPTION	DATE	APPROVED
A	INITIAL RELEASE, RFS.12955, SO	02/08/08	BS
B	ADD NOTE TO PACKING, RFS. 13051, SO	02/25/08	BS
C	UPDATE PACKING, RFS. 13420, SO	04/15/08	BS



**GENERAL SPECIFICATIONS:**

RATING: 7A / 125V AC  
 CABLE TYPE / SIZE: VFF, 2 x 0.75 mm<sup>2</sup>  
 TEMPERATURE RATING: 60° C

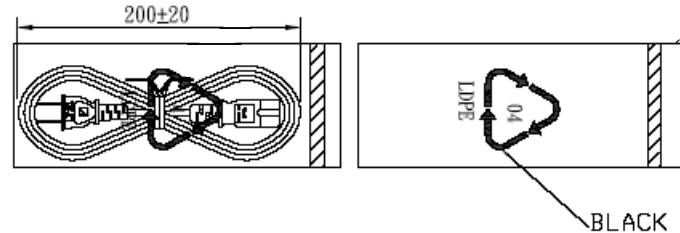
CABLE JACKET COLOR: BLACK  
 OVERALL LENGTH (L): 1830 ± 30 mm  
 CABLE OUTER DIAMETER: 3.4 x 6.9 ± 0.2 mm  
 END 'A' TERMINATION: JIS 8303  
 END 'B' TERMINATION: IEC 320 /C7  
 APPROVALS PLUG: PSE  
 APPROVALS CABLE: PSE  
 APPROVALS CONNECTOR: PSE

**PACKING:**

1. INDIVIDUALLY POLY BAGGED (100 pcs PER CARTON).
2. INDIVIDUALLY BAGGED CORDS MUST BE PACKED INSIDE A MASTER BAG BEFORE THEY ARE PACKED INTO A SHIPPING CARTON.




NOTE: 200pcs/CTN.  
 100pcs/large poly bag, 2bags /CTN



**NOTES:**

1. CORD, PLUG AND CONNECTOR MUST BE MARKED WITH APPROVAL SYMBOLS OR FILE NUMBER(S).



DASH NO.	PART NO	REV.	DESCRIPTION	NOTES
<b>TABULATION BLOCK</b>				
		<b>TOLERANCES:</b> DECIMALS ANGULAR .xx +/- 0.1 +/- 1° .xxx +/- .005		 <b>GlobTek, Inc.</b> www.globtek.com 186 Veterans Dr. Northvale, NJ 07647 Tel. 201-784-1000 Fax 201.784.0111
		<b>MILLIMETERS ANGULAR</b> .xx +/- 0.3 +/- 1° .xxx +/- .013		
INIT.BY: SO <sup>D</sup>	DATE: 02/08/08	DWG TITLE: JAPAN DETACHABLE CORDSET		
DRAWN: NF	DATE: 02/08/08	FSCN No.: G, CC, YL	SIZE: A	REV. C
APRVD: HM	DATE: 02/08/08	SCALE: NONE	PART NO: <b>451J3401M8703D(R)</b>	SHEET 1/1

Foot Note:  
 Globtek Inc. will not be liable for the safety and performance of these power supplies if unauthorized access and repair occurs. End user should consult for the proper installation instruction the applicable UL, CSA and EN standards.

Limitation of Use:  
 Globtek product are not authorized for use as mission critical components in life support, hazardous environment, nuclear or aircraft applications without prior written approval from the CEO of Globtek Inc.

Contents of this document are subject to change without prior notice