

## Silicon Super Fast Recovery Diode

$V_{RRM} = 400\text{ V} - 600\text{ V}$

$I_F = 70\text{ A}$

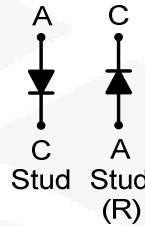
### Features

- High Surge Capability
- Types from 400 V to 600 V  $V_{RRM}$
- Not ESD Sensitive

### Note:

1. Standard polarity: Stud is cathode.
2. Reverse polarity (R): Stud is anode.
3. Stud is base.

DO-5 Package



### Maximum ratings, at $T_j = 25\text{ }^\circ\text{C}$ , unless otherwise specified ("R" devices have leads reversed)

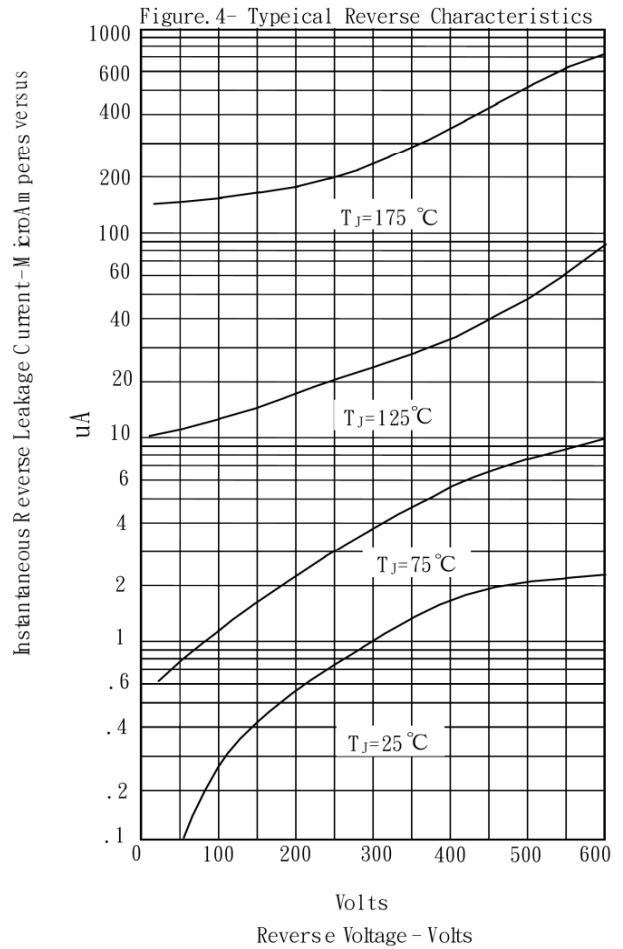
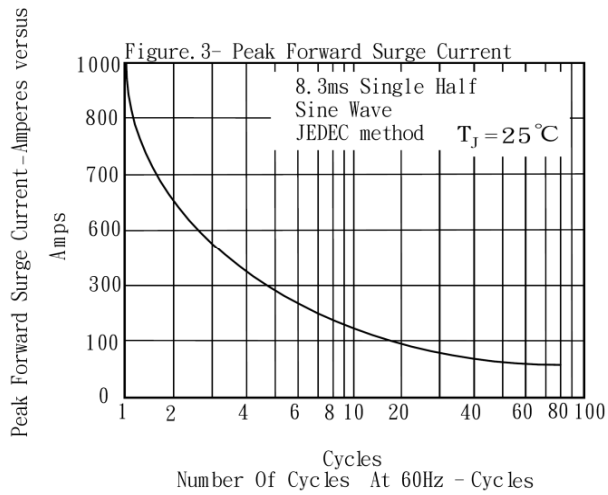
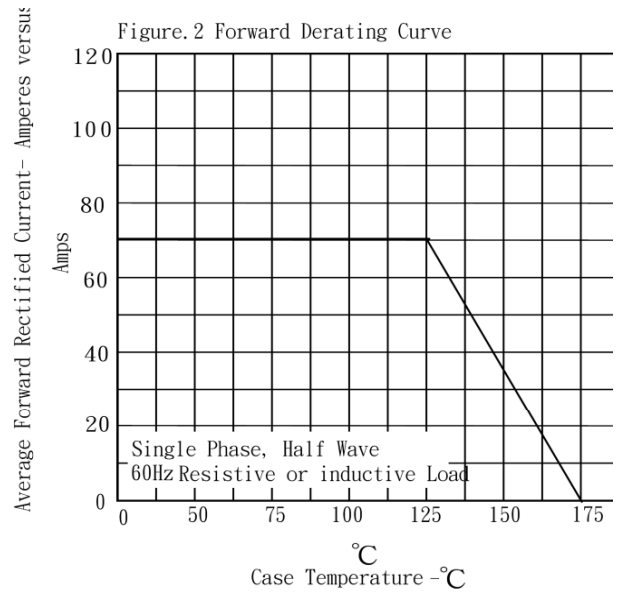
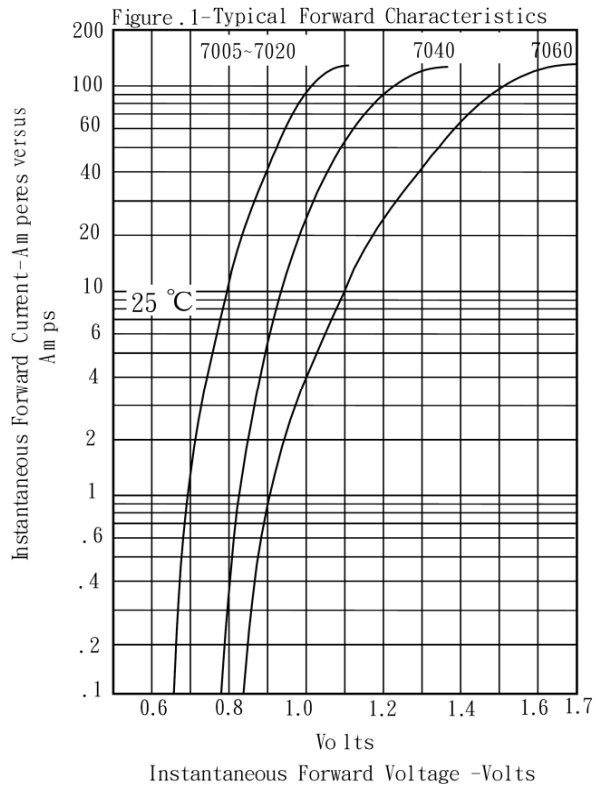
| Parameter  | Symbol     | Conditions   | MUR7040 (R) | MUR7060 (R) | Unit             |
|--|------------|--|-------------|-------------|------------------|
| Repetitive peak reverse voltage                      | $V_{RRM}$  |  | 400         | 600         | V                |
| RMS reverse voltage                                  | $V_{RMS}$  |  | 280         | 420         | V                |
| DC blocking voltage                                  | $V_{DC}$   |  | 400         | 600         | V                |
| Continuous forward current                           | $I_F$      | $T_C \leq 125\text{ }^\circ\text{C}$                     | 70          | 70          | A                |
| Surge non-repetitive forward current, Half Sine Wave | $I_{F,SM}$ | $T_C = 25\text{ }^\circ\text{C}$ , $t_p = 8.3\text{ ms}$ | 1000        | 1000        | A                |
| Operating temperature                                | $T_j$      |  | -55 to 150  | -55 to 150  | $^\circ\text{C}$ |
| Storage temperature                                  | $T_{stg}$  |  | -55 to 150  | -55 to 150  | $^\circ\text{C}$ |

### Electrical characteristics, at $T_j = 25\text{ }^\circ\text{C}$ , unless otherwise specified

| Parameter             | Symbol | Conditions  | MUR7040 (R) | MUR7060 (R) | Unit          |
|-----------------------|--------|---|-------------|-------------|---------------|
| Diode forward voltage | $V_F$  | $I_F = 70\text{ A}$ , $T_j = 25\text{ }^\circ\text{C}$  | 1.3         | 1.7         | V             |
| Reverse current       | $I_R$  | $V_R = 50\text{ V}$ , $T_j = 25\text{ }^\circ\text{C}$  | 25          | 25          | $\mu\text{A}$ |
|                       |        | $V_R = 50\text{ V}$ , $T_j = 125\text{ }^\circ\text{C}$ | 3           | 3           | mA            |

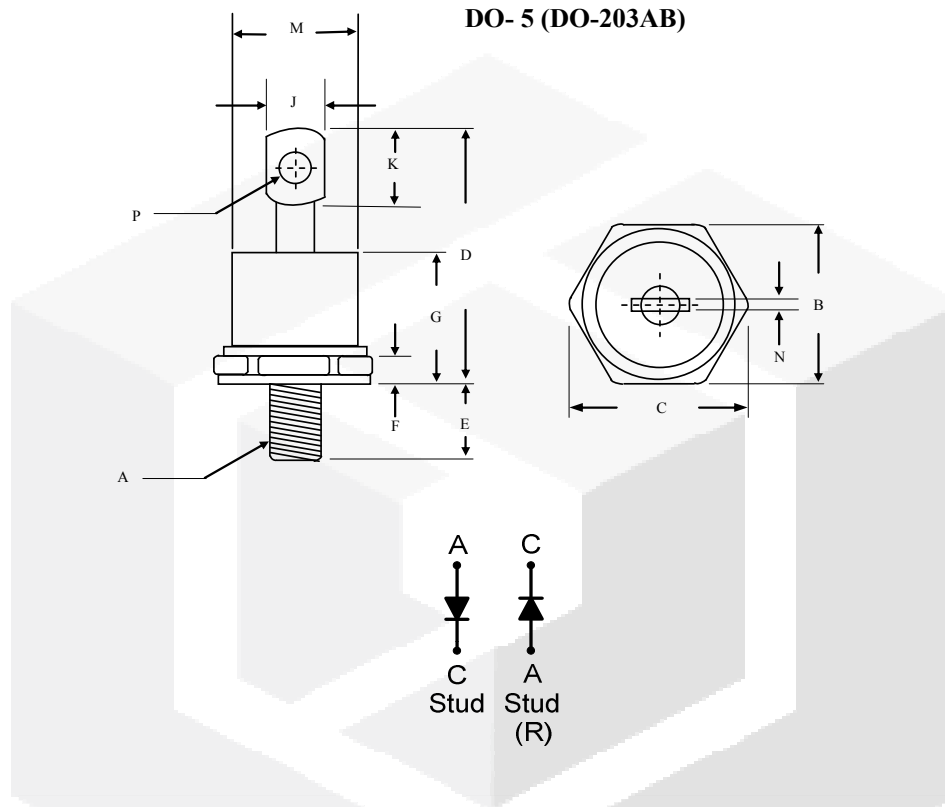
### Recovery Time

|                               |          |   |    |    |    |
|-------------------------------|----------|---|----|----|----|
| Maximum reverse recovery time | $T_{RR}$ | $I_F = 0.5\text{ A}$ , $I_R = 1.0\text{ A}$ ,<br>$I_{RR} = 0.25\text{ A}$ | 75 | 90 | ns |
|-------------------------------|----------|---|----|----|----|



## Package dimensions and terminal configuration

Product is marked with part number and terminal configuration.



|   | Inches     |       | Millimeters |       |
|---|------------|-------|-------------|-------|
|   | Min        | Max   | Min         | Max   |
| A | 1/4-28 UNF |       |             |       |
| B | 0.669      | 0.687 | 17.19       | 17.44 |
| C | -----      | 0.794 | -----       | 20.16 |
| D | -----      | 1.020 | -----       | 25.91 |
| E | 0.422      | 0.453 | 10.72       | 11.50 |
| F | 0.115      | 0.200 | 2.93        | 5.08  |
| G | -----      | 0.460 | -----       | 11.68 |
| J | -----      | 0.280 | -----       | 7.00  |
| K | 0.236      | ----- | 6.00        | ----- |
| M | -----      | 0.589 | -----       | 14.96 |
| N | -----      | 0.063 | -----       | 1.60  |
| P | 0.140      | 0.175 | 3.56        | 4.45  |