



NTC THERMISTORS: TYPE SA

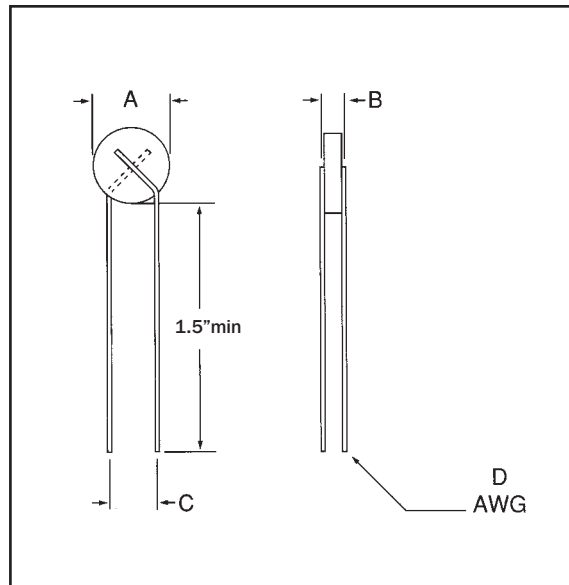
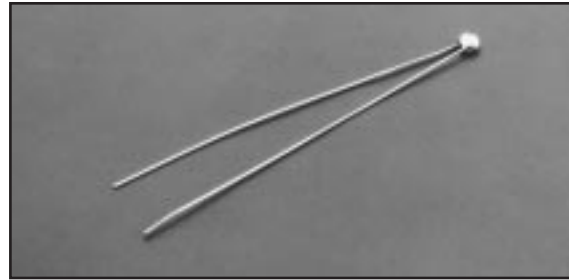
INTERCHANGEABLE THERMISTORS

DESCRIPTION:

Interchangeable thermistor with bare lead-wires.

FEATURES:

- Low cost solid state sensor
- Standard $\pm 1^\circ\text{C}$ accuracy from 0°C to 120°C
- High sensitivity to changes in temperature
- Suitable for temperature measurement, control and compensation
- Excellent mechanical strength
- Wide operating temperature range: -50°C to 150°C
- Suitable for PCB and probe mountings
- Available in a wide range of resistance values
- Also available with epoxy coating and on tape and reel to EIA RS-468A for automatic insertion
- Beta value ($25^\circ\text{C} - 85^\circ\text{C}$) = 4073k
- Material system D10.3



TYPE NUMBER	Ro@25C (Ohms)	A		B		C		D (AWG)	d.c. (mW/C)	t.c. (sec.)
		(in.)	(mm.)	(in.)	(mm.)	(in.)	(mm.)			
RL3005-574.0-103-SA	1000	0.32	8.13	0.14	3.56	0.25	6.35	24	3.5	30
RL2005-1148-103-SA	2000	0.22	5.59	0.14	3.56	0.15	3.81	24	2.5	20
RL2006-1600-103-SA	2786	0.22	5.59	0.15	3.81	0.15	3.81	24	2.5	20
RL2007-1723-103-SA	3000	0.22	5.59	0.16	4.06	0.15	3.81	24	2.5	20
RL2008-2010-103-SA	3500	0.22	5.59	0.17	4.32	0.15	3.81	24	2.5	20
RL1003-2871-103-SA	5000	0.11	2.79	0.11	2.79	0.10	2.54	26	1.0	10
RL1004-4019-103-SA	7000	0.11	2.79	0.12	3.05	0.10	2.54	26	1.0	10
RL1005-5744-103-SA	10000	0.11	2.79	0.13	3.30	0.10	2.54	26	1.0	10

OPTIONS:

- Coated with fluid bed epoxy, e.g. "SC" suffix
- Tape and reel, e.g. "SR" suffix
- Coated and T&R, e.g. "SCR" suffix
- Other resistances in the range of $1\text{k}\Omega$ to $10\text{k}\Omega$
- Other tolerances, tolerances at other temperatures
- Alternative lead lengths, lead materials, insulations