



GARDTEC

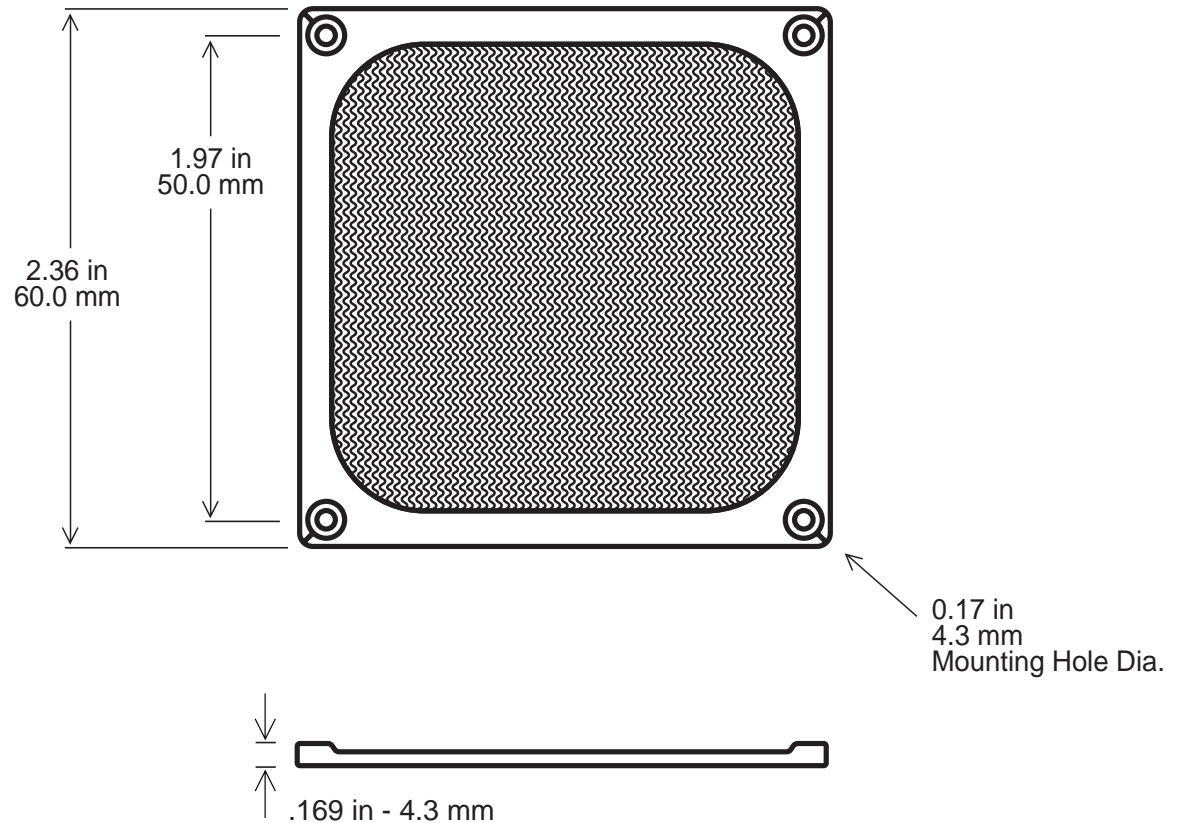
Part Number:

AFM-60M

Material: **Aluminum/ Stainless Steel**

Screen: **30 x 30 mesh convoluted
with 3/16" pitch, 1/8" deep**

Finish: **Mill and Anodized
Black Electrodeposit**





GARDTEC

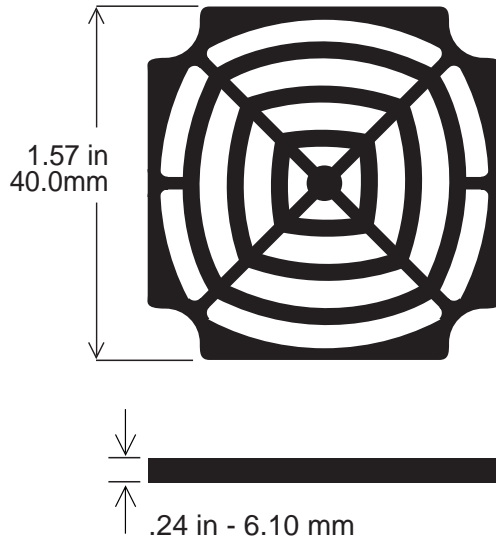
Part Number:

SC40-P15/30

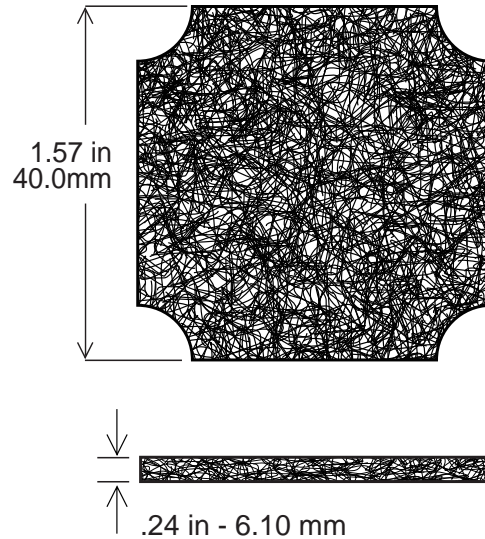
Material: **Plastic UL94V-0**

Media: **Polyurethane Foam UL94HF-1**
30-45-60-100PPI

Retainer



Filter



Guard

