



7.5x5.0mm Ceramic SMD Crystal

C7AS

(Former FE)

DATASHEET

- Tolerances down to ± 30 PPM
- Stabilities down to ± 15 PPM
- Temperature Ranges as wide as -40°C to $+85^{\circ}\text{C}$
- Available above 50MHz (3^{rd} & 5^{th} Overtone Modes)

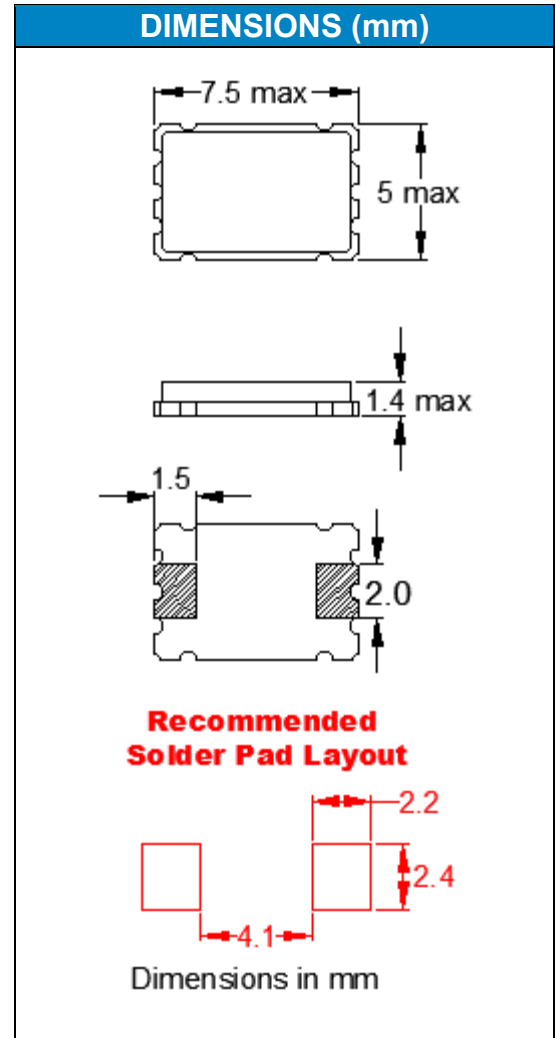
ELECTRICAL CHARACTERISTICS	
PARAMETERS	MAX (unless otherwise noted)
Frequency Range	6.000 ~ 160.000 MHz
Frequency Tolerance @ 25°C	(See options on page 2)
Frequency Stability, ref @ 25°C	(See options below)
Temperature Range	
Operating (T _{OPR})	(See options below)
Storage (T _{STG})	$-40^{\circ}\text{C} \sim +85^{\circ}\text{C}$
Shunt Capacitance (C ₀)	5 pF
Load Capacitance (C _L)	(See options on page 2)
Drive Level	0.5 mW
Aging per year	± 5 PPM
Maximum Soldering Temp / Time	260°C / 10 Seconds x 2
Moisture Sensitivity Level (MSL)	1
Termination Finish	Au over Ni
Seal Method	Resin
Lead (Pb) Free	Yes
RoHS/REACH Compliant	Yes

Frequency Range (MHz)	Operating Mode	Max ESR (Ω)
6.000 ~ 7.999	Fundamental	80
8.000 ~ 9.999	Fundamental	60
10.000 ~ 15.999	Fundamental	50
16.000 ~ 50.000	Fundamental	40
28.000 ~ 84.000	3^{rd} Overtone	60
>84.000 ~ 160.000	5^{th} Overtone	80

Available Operating Temperatures and Stabilities*					
Operating Temperature	± 15 PPM	± 20 PPM	± 25 PPM	± 30 PPM	± 50 PPM
0 ~ $+70^{\circ}\text{C}$	O	O	O	O	O
$-10 \sim +60^{\circ}\text{C}$	O	O	O	O	O
$-10 \sim +70^{\circ}\text{C}$	O	O	O	O	O
$-20 \sim +70^{\circ}\text{C}$	O	O	O	O	O
$-30 \sim +85^{\circ}\text{C}$	X	O	O	O	O
$-40 \sim +85^{\circ}\text{C}$	X	O	O	O	O

Key: O=Available, X=Not Available, Δ=Consult Fox Technical Support

*Does not imply a stocked part.



Note: Dimensional drawing is for reference to critical specifications defined by size measurements. Certain non-critical visual attributes, such as side castellations, etc. may vary.

<p>Copyright 2019 Fox Electronics. All rights reserved</p>	Title/Description: C7AS Series Standard Specifications		
	Drawing Number: C7AS-DOC-1		Size: A
	Part Number:		Cage: 61429
	Draftsperson: MAJ	Approved: BEC	Revision Date: 10/24/2019



7.5x5.0mm Ceramic SMD Crystal

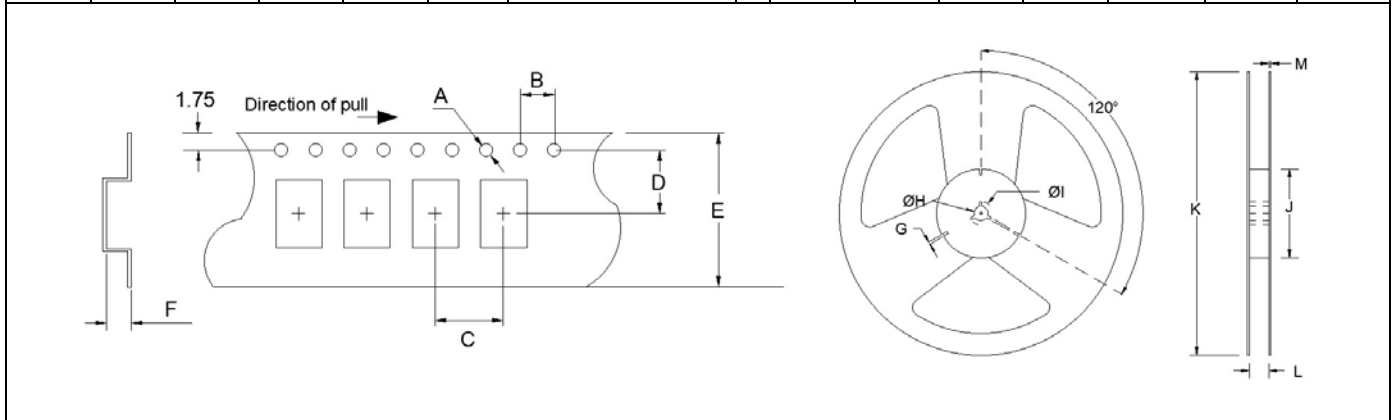
C7AS

(Former FE)

DATASHEET

TAPE SPECIFICATIONS (mm)						
A	B	C	D	E	F	Reel Qty
Ø1.5	4.0	8.0	7.5	16.0	2.3	-T1=1,000 -T2=2,000 Default

REEL SPECIFICATIONS (mm)						
G	H	I	J	K	L	M
2.0	Ø13	Ø21	Ø80	Ø180 Ø250	17.5	2.0



AVAILABLE OPTIONS & PART IDENTIFICATION¹

Example: F C7AS C C L 40.0

F	C7AS	C	C	L	M	40.0
Fox	Model Number	Tolerance	Stability	Load Capacitance ²	Operating Temperature	Frequency (MHz)
		B = ±50 PPM C = ±30 PPM	B = ±50 PPM C = ±30 PPM D = ±25 PPM E = ±20 PPM F = ±15 PPM	E = 10 pF G = 12 pF J = 15 pF L = 18 pF M = 20 pF	C = 0 to +70°C D = -10 to +60°C E = -10 to +70°C F = -20 to +70°C K = -30 to +85°C M = -40 to +85°C	

¹ Not all frequency, tolerance, stability, load, and operating temperature combinations may be available.

² Listed load capacitances represent the most commonly used. Other load capacitances are available. Contact Fox Technical Support for assistance

	Corporate Headquarters 5570 Enterprise Parkway Fort Myers, FL 33905 http://www.foxonline.com	Sales 1-888-GET-2-FOX (1-888-438-2369) -Or- 1-239-693-0099 http://foxonline.com/repdisty	Tech Support http://foxonline.com/email
--	---	---	--

Product use: Fox Electronics reserves the right to modify the products and/or specifications described herein at any time and at Fox Electronics' sole discretion. All information in this document, including descriptions of product features and performance, is subject to change without notice. Performance specifications and the operating parameters of the described products are determined in the independent state and are not guaranteed to perform the same way when installed in customer products. The information contained herein is provided without representation or warranty of any kind, whether express or implied, including, but not limited to, the suitability of Fox Electronics' products for any particular purpose, an implied warranty of merchantability, or non-infringement of the intellectual property rights of others. This document is presented only as a guide and does not convey any license under intellectual property rights of Fox Electronics or any third parties. Fox Electronics' products are not intended for use in applications involving extreme environmental conditions or in life support systems or similar devices where the failure or malfunction of a Fox Electronics product can be reasonably expected to significantly affect the health or safety of users. Anyone using a Fox Electronics product in such a manner does so at their own risk, absent an express, written agreement by Fox Electronics. Fox Electronics and the Fox logo are registered trademarks of Fox Electronics. Product specification is subject to change without notice. Other trademarks and service marks used herein, including protected names, logos and designs, are the property of Fox Electronics or their respective third-party owners.

 Copyright 2019 Fox Electronics. All rights reserved	Title/Description: C7AS Series Standard Specifications		
	Drawing Number: C7AS-DOC-1		Size: A
	Part Number:		Cage: 61429
	Draftsperson: MAJ	Approved: BEC	Revision Date: 10/24/2019