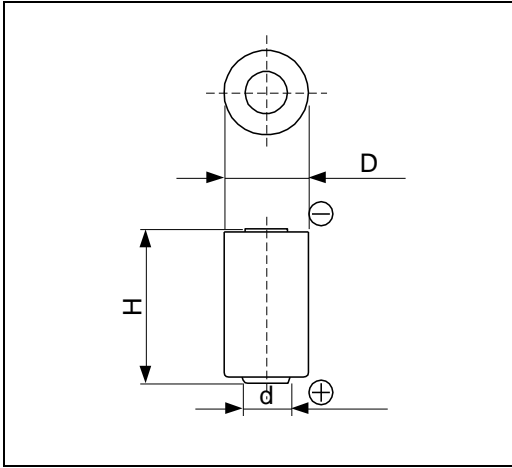


# Cell Type CR14250SE Specifications



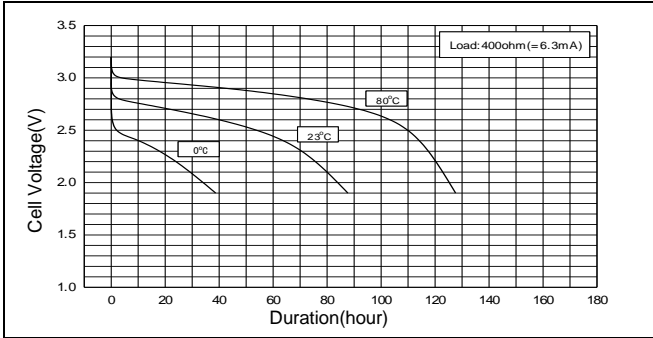
Nominal Voltage (V)		3
Nominal Capacity (mAh) *1		850
Standard Discharge Current (mA)		0.5
Operating Temperature Range (°C) *2		-40 ~ +85
Max. Dimensions (mm)	Diameter (D)	14.5
	Height (H)	25.0
Approx. Weight (g)		9

\*1 Nominal capacity is determined at an end voltage of 2.0V when the battery is allowed to discharge at a standard current level at +23°C.

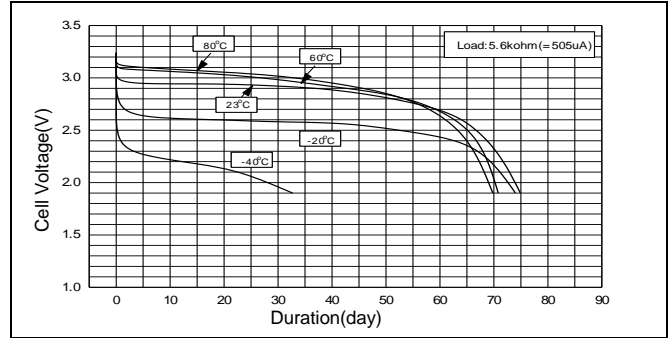
\*2 Consult FDK when using batteries at temperatures exceeding the -20°C to +60°C range.

## Typical Characteristics

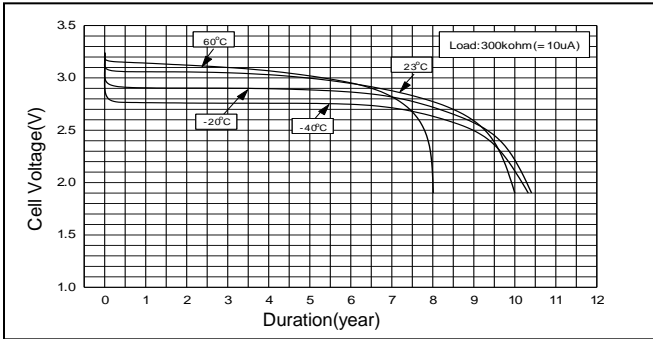
### Discharge Characteristics of CR14250SE



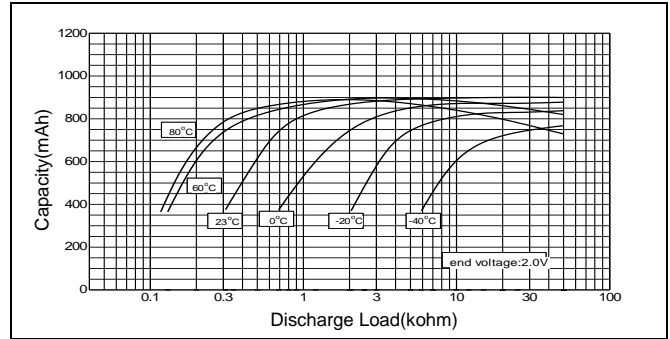
### Discharge Characteristics of CR14250SE



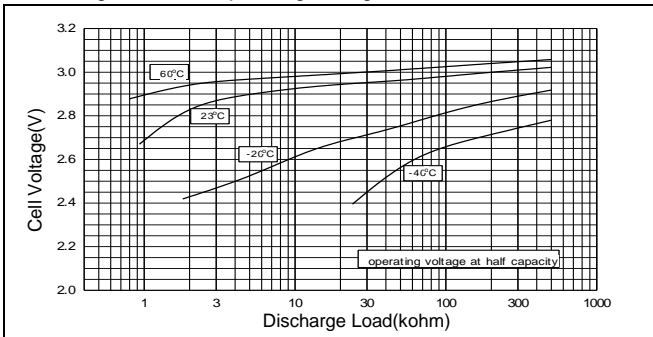
### Discharge Characteristics of CR14250SE



### Discharge Load vs. Capacity of CR14250SE



### Discharge Load vs. Operating Voltage of CR14250SE



### Discharge Characteristics of CR14250SE

