

REFERENCE SPECIFICATIONS

-NFC 93425 (in compliance with HE 507)

PHYSICAL CHARACTERISTICS

-INSULATOR MATERIAL: THERMOPLASTIC .UL94V0

-ACCESSORIES: BRASS

-SHELLS: STEEL

ELECTRICAL CHARACTERISTICS

-CONTACT/CONTACT : >=1000 V

-CONTACT/GROUND : >=1200 V

-INSULATION RESISTANCE: >=5000 MOhms

ENVIRONMENTAL CHARACTERISTICS

- CLIMATIC CATEGORY: 55/125/21

TEMPERATURE RANGE -55°C TO +125°C

DAMP HEAT STEADY STATE 21 DAYS

SALT SPRAY 24 HOURS

MECHANICAL CHARACTERISTICS

- RETENTION AGAINST TORQUE: - Threaded insert: 0.7 N.m minimum

- Female screw : 0.5 N.m minimum

NOTE RoHS INFORMATION

- The "LF" products meet european union Directives and other country regulations as described in GS-22-008.

- Shell plating :2 to 4 µm Cu + Ni + 3 to 10 µm Sn(pure bright)

- Accessories: Sn pure bright + nickel

- Packaging spec: See GS-14-920

Series ← DBL5W5PA00LF

Shell size: E A B C
see sheet 2

Front accessory definition
see sheet 2

Blank : Without accessory

L : Threaded insert M3

O : Threaded insert UNC 4-40

V : Female screw UNC 4-40

Layout of contacts (see sheet 3)

Contacts

P :Pin

PCB accessory definition

A without accessory on PCB

Power contacts

00 without power contact

See note RoHS



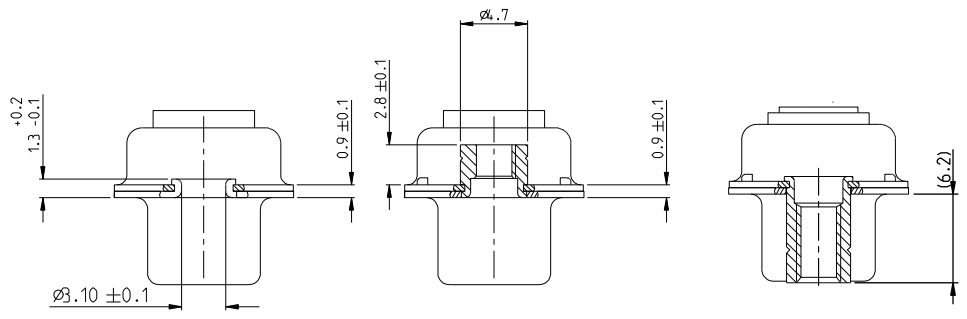
www.fciconnect.com				Surface ISO 1302	-	Tolerance std ISO 406	ISO 1101	projection	mm
TOLERANCES UNLESS OTHERWISE SPECIFIED									
Dr	M PESSON	2005-10-11	ANGULAR	0.X	±0.3	size	A2	Scale	2:1
Eng	P LEGARE	2005-10-11	LINEAR	0.XX	±0.1	ECN	F09-0076	Spec ref	
Chr			0° ±2°	0.XXX	±0.05				
Appr			Product family						
Rev	ecn no	dr	date						
A	LS05-0113	HPE	2005-11-28						
B	LS06-0208	LGO	2006-12-13						
C	LS07-0273	HPE	2007/11/05						
D	F09-0076	LSA	2009-08-20						
				title	SUB MALE DW		Rev.		
				catalogue	full power without contact		01-8639-2315	D	
				CUSTOMER		sheet 1 of 4			

PDM: Rev:D

STATUS: Released

Printed: Aug 28, 2009

Copyright FCI.
FCI



FRONT ACCESSORY	Blank without	L	insert M3	V	Female screw UNC 4-40
		0	insert UNC 4.40		
PCB ACCESSORIES	A without	A	without	A	without

PART NUMBER	FRONT ACCESSORY	PCB ACCESSORY
D*xW xPA00LF	WITHOUT	WITHOUT
D*VxW xPA00LF	Female screw UNC 4-40	WITHOUT
D*LxW xPA00LF	Insert M3	WITHOUT
D*0xW xPA00LF	Insert UNC 4-40	WITHOUT

shell size	LAYOUTS
*	xW x
E	2V2
A	3V3
A	3W3
B	5W5
C	8W8



Copyright FCI.

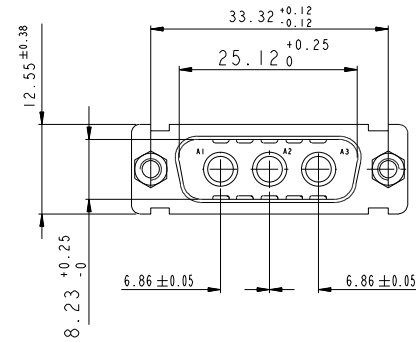
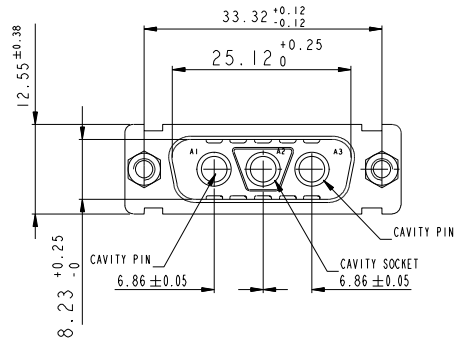
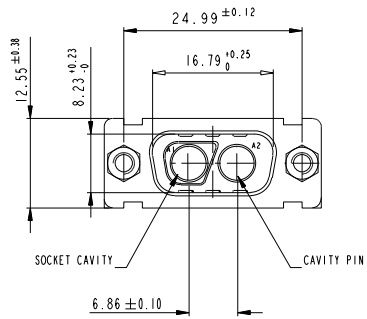
www.fciconnect.com		surface ISO 1302	tolerance std ISO 406 ISO 1101	projection ASME Y14.5	mm
TOLERANCES UNLESS OTHERWISE SPECIFIED					
Dr	M PESSON	2005-10-11	ANGULAR	0.X	±0.3
Eng	P LEGARE	2005-10-11	LINEAR	0.XX	±0.1
Chr				0.XXX	±0.05
Appr					
			Product family		Spec ref

FCI	title	SUB MALE DW	Rev.	
	full power without contact			
	catalog no		01-8639-2315	
			CUSTOMER	sheet 2 of 4

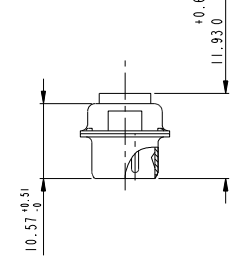
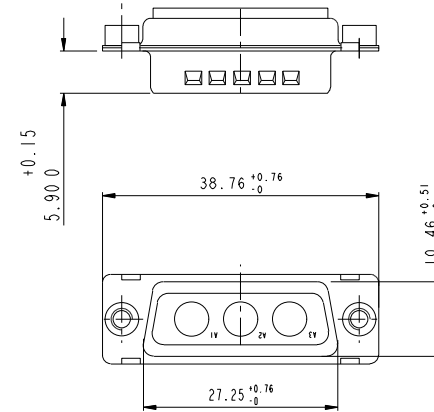
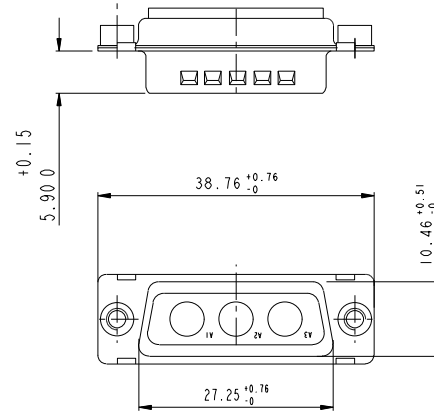
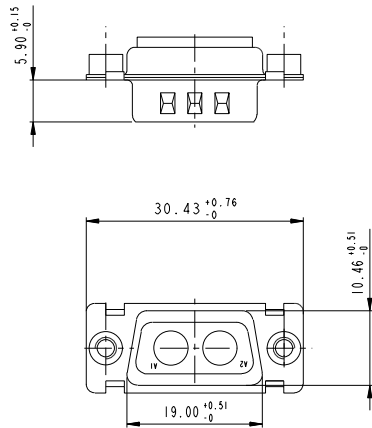
2V2

3V3

3W3



SIDE VIEW FOR LAYOUTS: E A B C

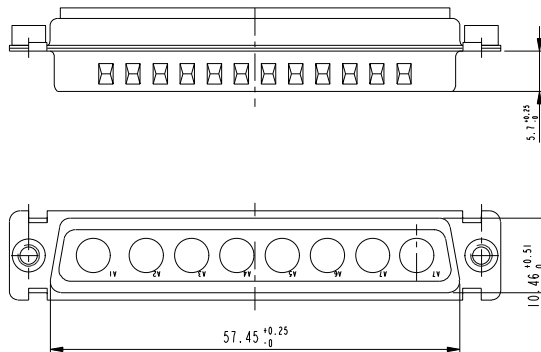
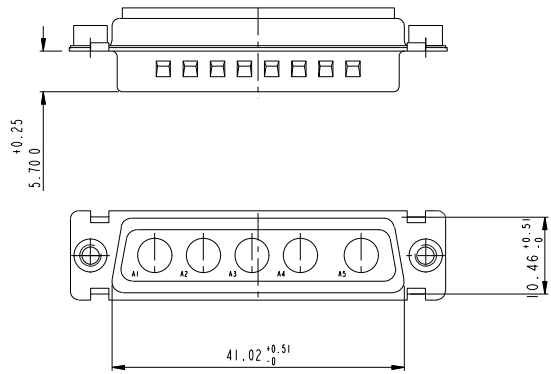
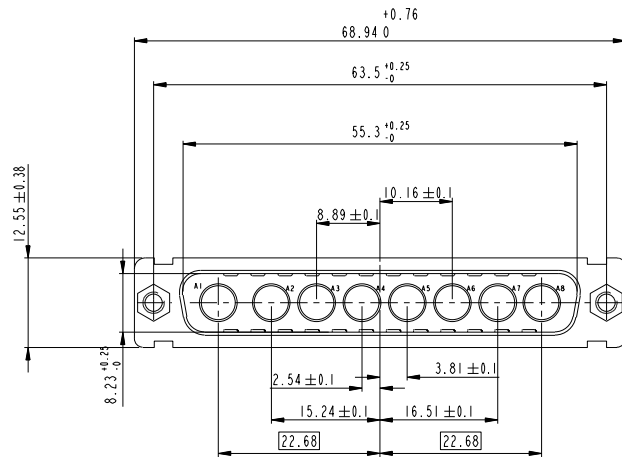
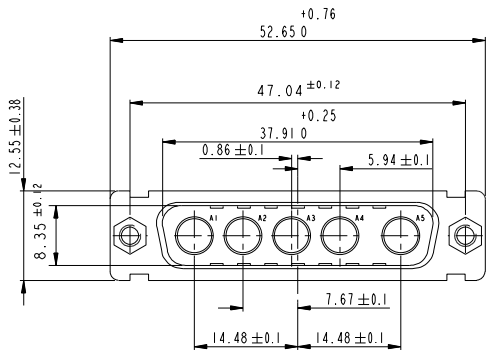


www.fciconnect.com		surface ISO 1302	tolerance std ISO 406 ISO 1101	projection mm
TOLERANCES UNLESS OTHERWISE SPECIFIED				
Dr	M PESSON	2005-10-11	ANGULAR	size A2
Eng	P LEGARE	2005-10-11	LINEAR	Scale 2:1
Chr			0° ± 2°	ECN F09-0076
Appr			Product family	Spec ref

FCI	title SUB MALE DW	part no C01-8639-2315	Rev. D
	full power without contact		
	CUSTOMER	sheet 3 of 4	

5W5

8W8



Copyright FCI. FCI

www.fciconnect.com		surface ISO 1302	tolerance std ISO 406 ISO 1101	projection mm
TOLERANCES UNLESS OTHERWISE SPECIFIED				
Dr	M PESSON	2005-10-11	ANGULAR	0.X ±0.3
Eng	P LEGARE	2005-10-11	LINEAR	0.XXX ±0.1
Chr			0° ±2°	0.XXX ±0.05
Appr			Product family	Spec ref

FCI	title SUB MALE DW	part no C01-8639-2315	Rev. D
	full power without contact		
	CUSTOMER	sheet 4 of 4	