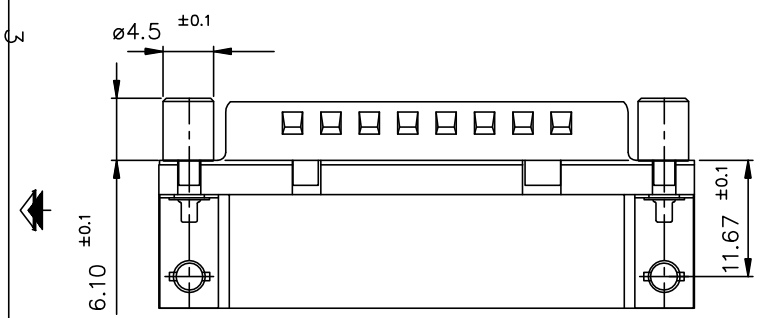


| SHELL | A±0.38 | B±0.12 | C±0.10 | D±0.25 | E±0.07 | G±0.25 |
|-------|--------|--------|--------|--------|--------|--------|
| 09 | 30.81 | 24.99 | 16.96 | 16.79 | 10.96 | 5.90 |
| 15 | 39.14 | 33.32 | 25.18 | 25.12 | 19.18 | 5.90 |
| 25 | 53.03 | 47.04 | 39.12 | 38.84 | 33.12 | 5.70 |
| 37 | 69.32 | 63.50 | 55.68 | 55.30 | 49.68 | 5.70 |

GENERAL CHARACTERISTICS : SEE DRAWING C01-8646-0000



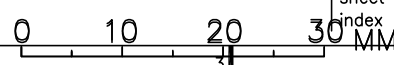
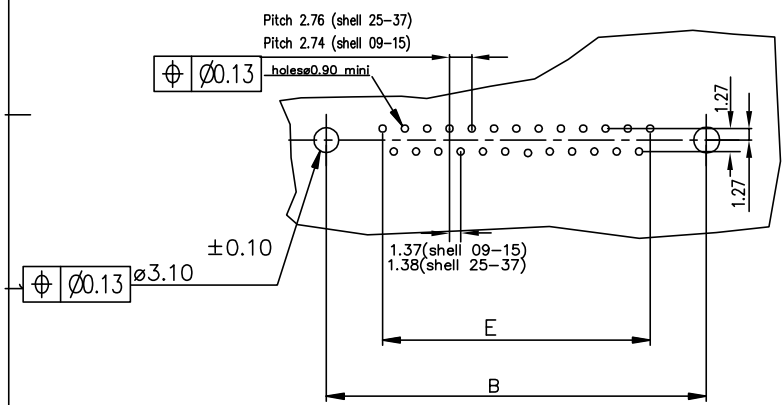
PC card drilling dimensions(after plating)
(thickness 1.60±0.20mm)

4 = Performance level PL3 ≥ 200 OPERATIONS
6 = Performance level PL1 ≥ 500 OPERATIONS

LF FOR LEAD FREE

| SHELL | PART NUMBER | DESIGNATIONS |
|-------|----------------|--|
| 09 | D09P13A*G*00** | HEADER 9 CTS RIGHT ANGLED-SOLDER TO BOARD-PCB HARPOON-SCREWLOCK -ELEC.CONTIN. |
| 15 | D15P13A*G*00** | HEADER 15 CTS RIGHT ANGLED-SOLDER TO BOARD-PCB HARPOON-SCREWLOCK -ELEC.CONTIN. |
| 25 | D25P13A*G*00** | HEADER 25 CTS RIGHT ANGLED-SOLDER TO BOARD-PCB HARPOON-SCREWLOCK -ELEC.CONTIN. |
| 37 | D37P13A*G*00** | HEADER 37 CTS RIGHT ANGLED-SOLDER TO BOARD-PCB HARPOON-SCREWLOCK -ELEC.CONTIN. |

I =SCREWLOCK Threaded M3
V =SCREWLOCK Threaded UNC 4.40 sellers



| | | | | | |
|------------------------------|----------------|---------------------|-------------------------------|--------------------------------------|---------------------------|
| mat'l. code SEE.TECH.SPEC | | surface ISO 1302 | tolerance ISO 406 ISO 1101 | projection MM | product family DELTA-D |
| ltr | ecn no | dr | date | title | |
| D | 105-0124 | JS | 2005/07/27 | HEADER DELTA-D RIGHT ANGLED | |
| E | 106-0074 | SK | 2006/06/08 | SCREW LOCK, HARPOON, & METAL BRACKET | |
| F | 109-0023 | AS | 2009/02/11 | scale | dwg no |
| | | | | 0° ± 1° | sheet 1 of 1 |
| | | | | linear | size |
| | | | | 0.00 ± 0.1 | A3 |
| | | | | 0.00 ± 0.00X | |
| | | dr | GEORGE.V.JOSEPH | 2006/10/17 | FCI |
| | | enr | GEORGE.V.JOSEPH | 2006/10/17 | |
| | | chr | ANISH.SALAM | 2009/02/11 | |
| | | appd | ANISH.SALAM | 2009/02/11 | |
| sheet index | revision sheet | F | 1 | type Product Customer Drawing | |

Copyright FCI