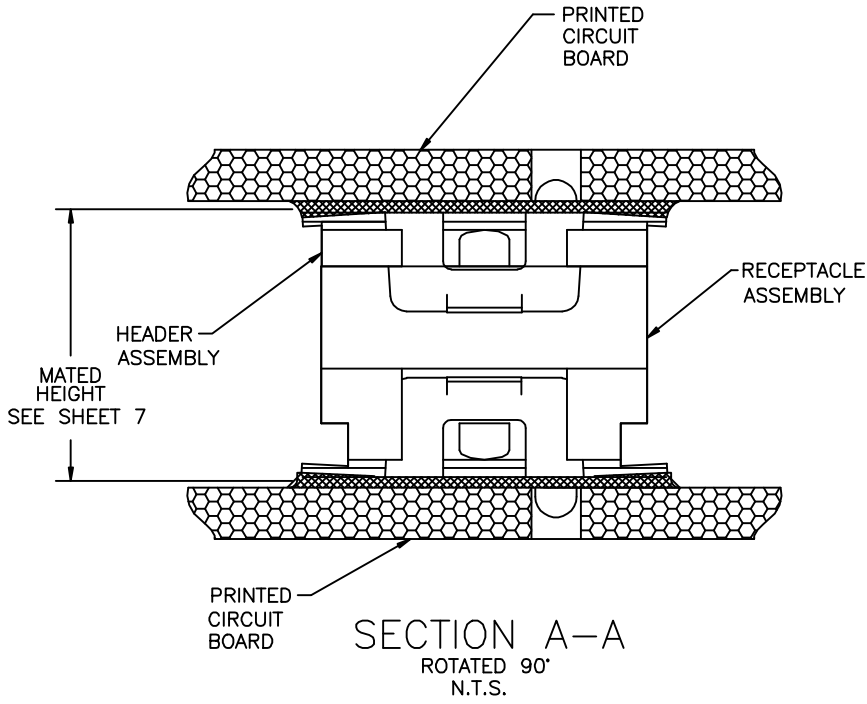
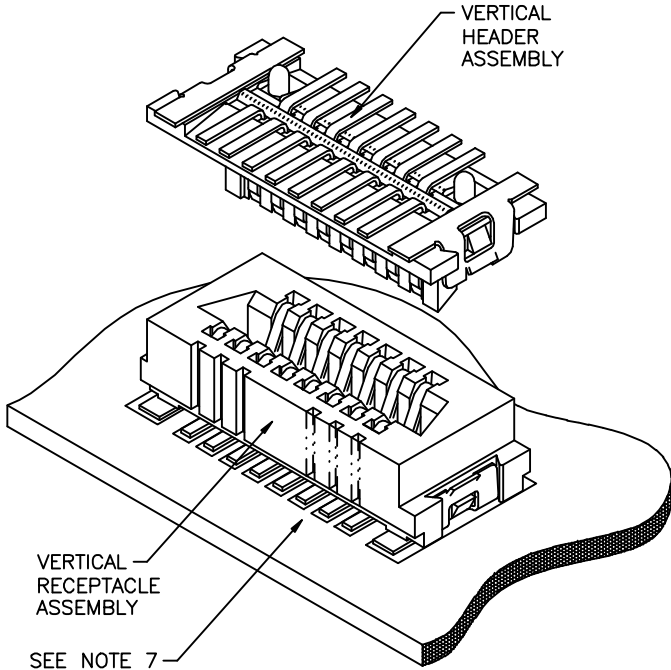


PRODUCT NUMBER
SEE TABLE

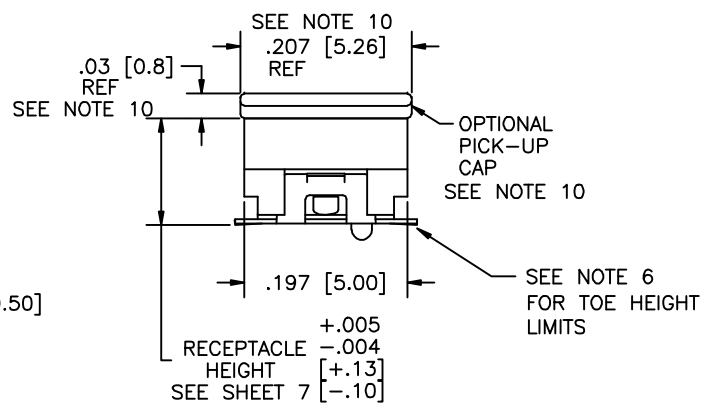
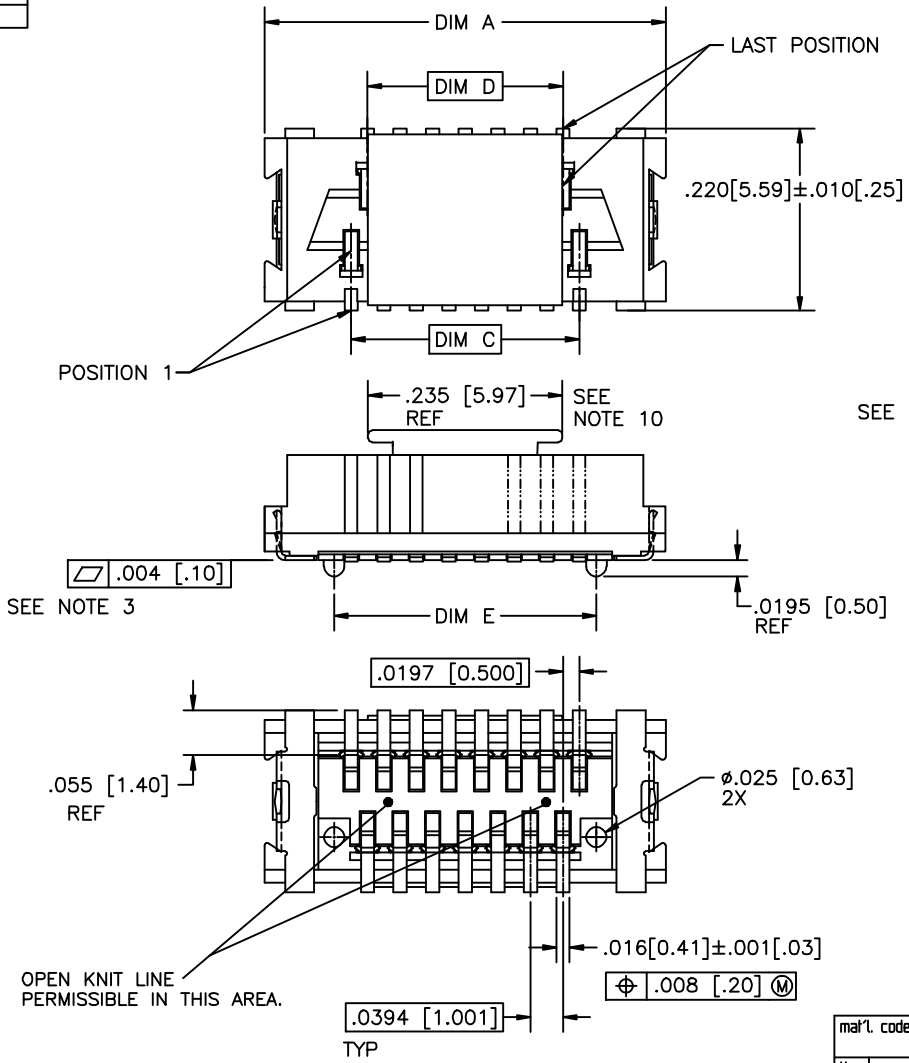


FCIconnect.com

Copyright FCI

mat'l. code				surface	tolerance	projection	product family	
				ISO 1902	ISO 406 ISO 1101	 INCH/MM	CONAN	
tolerances unless otherwise specified Y V03-1347 AA 12/20/01 AA M04-0190 MHT 9/24/04 AB M05-0110 MHT 5/26/05 0'±2' AC M06-0232 AGS 06/12/08 dr AD M06-0373 MHT 9/26/06 eng AE M08-0012 AGS 1/11/08 chr AF M08-0287 MHT 10/02/08 appd R.SEIPLE 11/13/91 D.HORCHLER 01/10/92 D.HORCHLER 01/10/92 D.HORCHLER 01/10/92				linear	XXXL01/XXXL03 XXXL006/XXXL013 XXXXL0020/XXXL0051		title CONAN™ CONNECTOR ASSEMBLY	
sheet index revision AF AF AF AF AF AF AF AF				scale 5:1		dwg no 91900		sheet 1 of 7 size A3
sheet 1 2 3 4 5 6 7				type Product Customer Drawing				

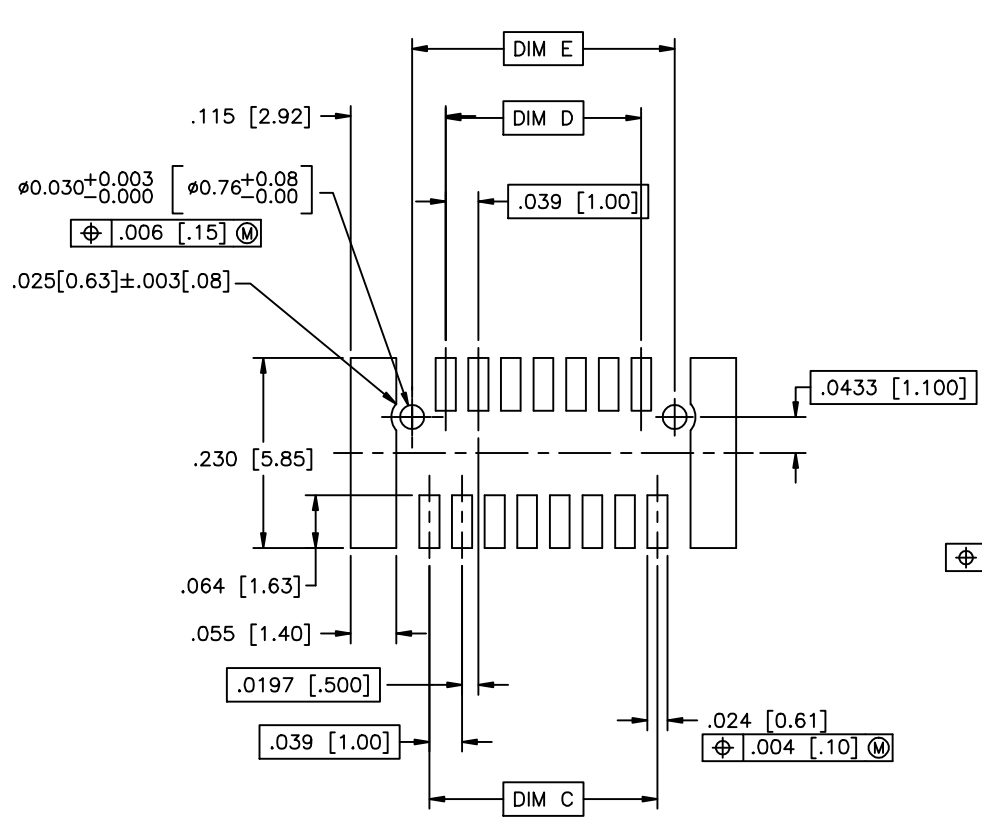
PRODUCT NUMBER
SEE TABLE



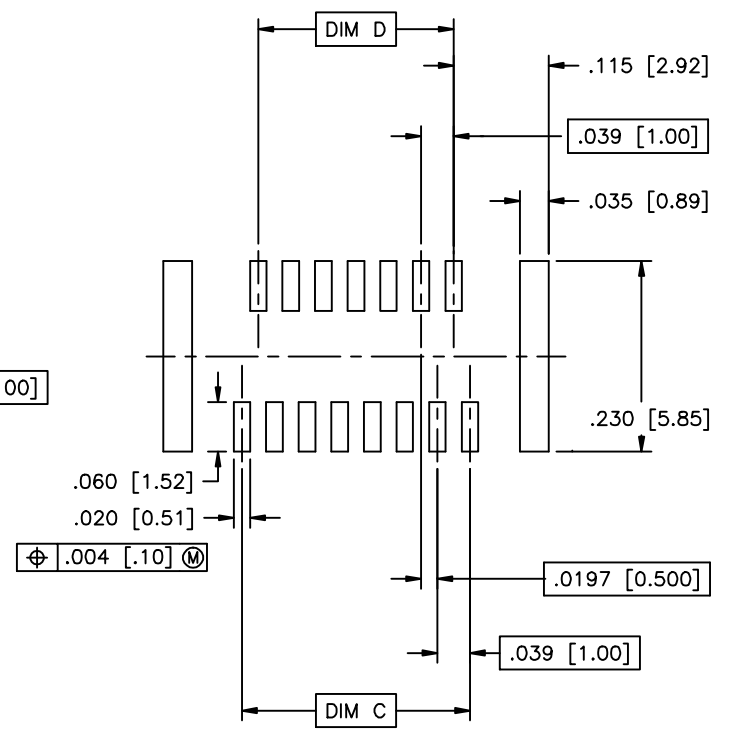
Copyright FCJ

mat'l. code		surface ISO 1902		tolerance ISO 406 ISO 1101		projection ISO 1011		product family CONAN		
ltr	ecn no	dr	date	tolerances unless otherwise specified		INCH/MM		title CONAN™ CONNECTOR ASSEMBLY		
AF				angles	linear	scale 5:1		dwg no 91900		
				0° ± 2'	XXX±.01/XX±0.3 XXX±.005/XX±0.13 XXX±.0020/XX±0.051	FCJ		sheet 2 of 7 size A3		
				dr	R.SEIPLE	11/13/91			type Product Customer Drawing	
				engr	D.HORCHLER	01/10/92				
				chr	D.HORCHLER	01/10/92				
				appd	D.HORCHLER	01/10/92				
sheet index	revision sheet									

PRODUCT NUMBER
SEE TABLE



RECOMMENDED
PAD LAYOUT



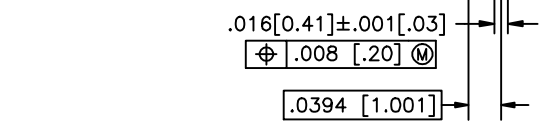
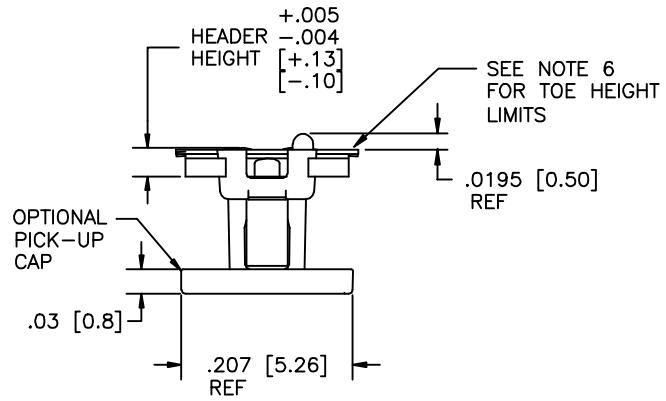
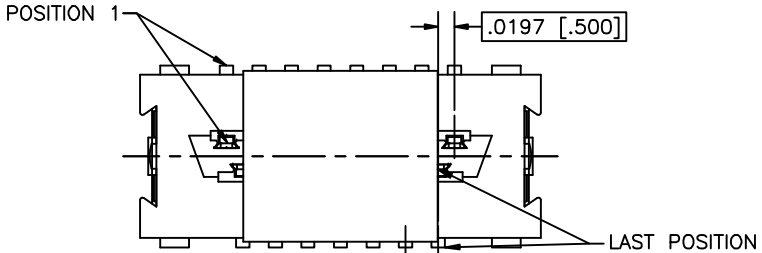
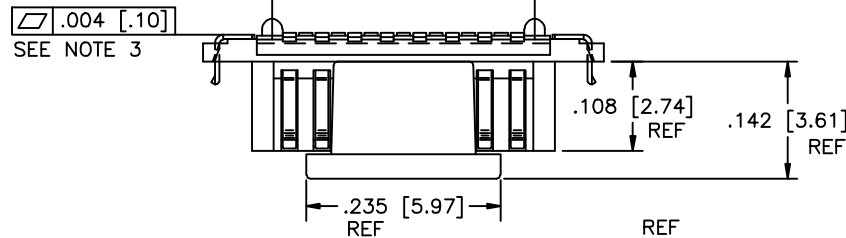
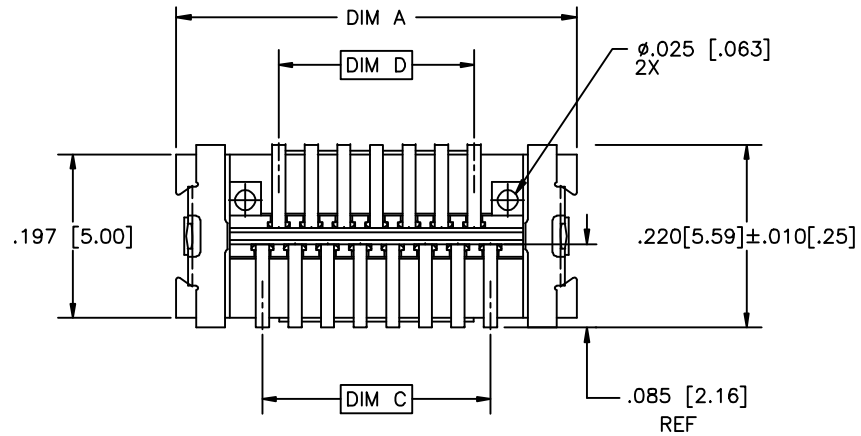
RECOMMENDED
STENCIL LAYOUT
FOR RECEPTACLE



Copyright FCJ

mat'l. code				surface ISO 902	tolerance ISO 406 ISO 7001	projection 	product family CONAN
ltr	ecn no	dr	date	tolerances unless otherwise specified		INCH/MM 	title CONAN™ CONNECTOR ASSEMBLY
AF				angles	linear		
				0° ± 2'	XXXL01/XXL03 XXXL06/XXXL13 XXXL020/XXXL051		dwg no 91900
				dr	R.SEIPLE 11/13/91		sheet 3 of 7 size A3
				engr	D.HORCHLER 01/10/92		type Product Customer Drawing
				chr	D.HORCHLER 01/10/92		
				appd	D.HORCHLER 01/10/92		
sheet index	revision sheet						

PRODUCT NUMBER
SEE TABLE

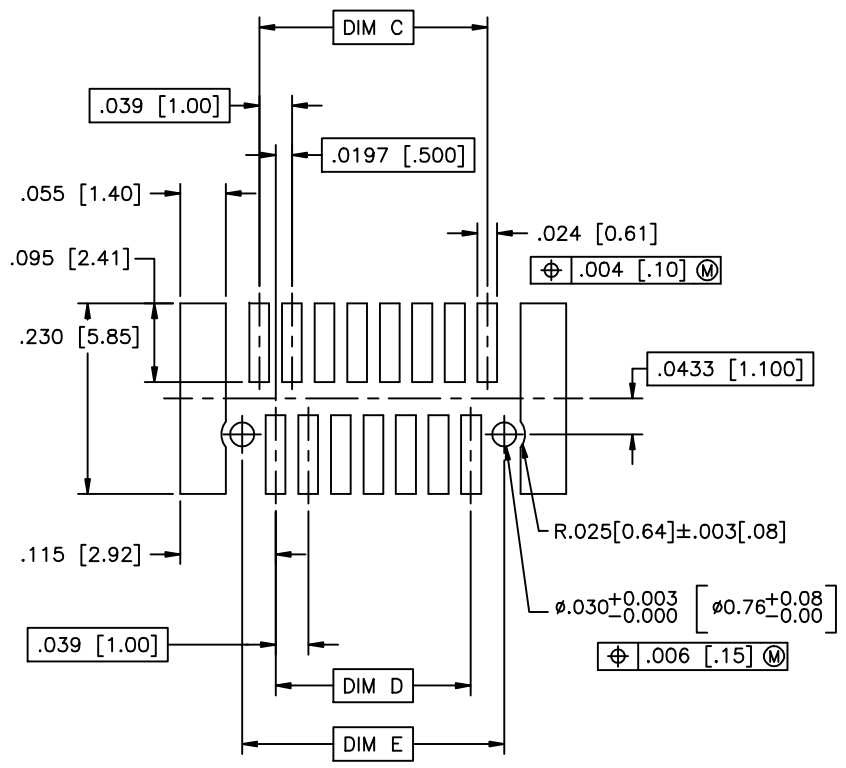


mat'l. code	surface ISO 1902	tolerance ISO 406 ISO 7001	projection INCH/MM	product family CONAN
ltr	ecn no	dr	date	title CONAN™ CONNECTOR ASSEMBLY
AF				scale 5:1
				sheet 4 of 7 size
				91900 A3
				type Product Customer Drawing
sheet index	revision sheet			

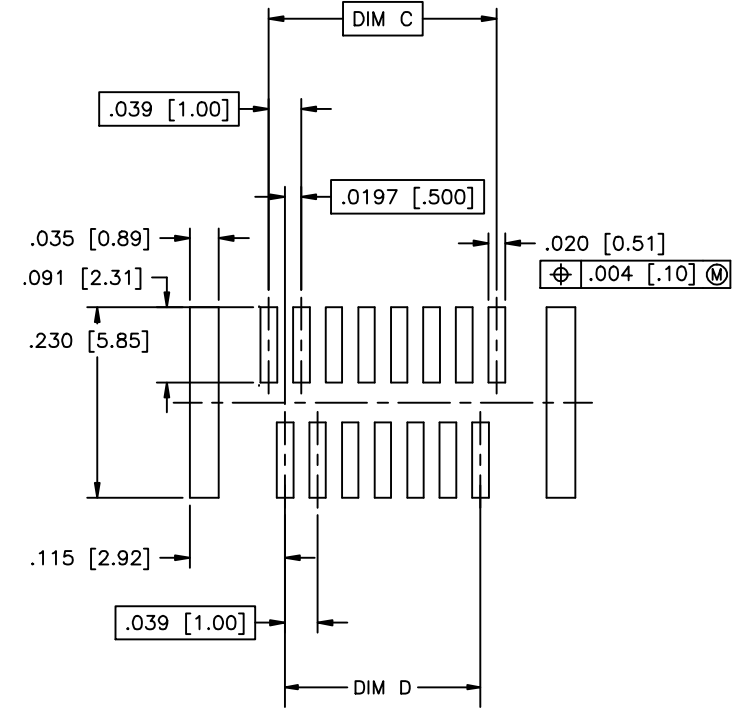


Copyright FCJ

PRODUCT NUMBER
SEE TABLE



RECOMMENDED
PAD LAYOUT



RECOMMENDED
STENCIL LAYOUT
FOR HEADER



Copyright FCJ

mat'l. code		surface ISO 1902		tolerance ISO 406 ISO 7001		projection FIRST ANGLE		product family CONAN	
ltr	ecn no	dr	date	tolerances unless otherwise specified		INCH/MM		title CONAN™ CONNECTOR ASSEMBLY	
AF				angles	linear	scale 5:1		dwg no 91900	
				0'±2'	XXX±.01/XX±0.3 XXX±.006/XX±0.13 XXX±.0020/XX±0.051	FCJ		sheet 5 of 7 size A3	
				dr	R.SEIPLE 11/13/91			type Product Customer Drawing	
				engr	D.HORCHLER 01/10/92				
				chr	D.HORCHLER 01/10/92				
				appd	D.HORCHLER 01/10/92				
sheet index	revision sheet								

PRODUCT NUMBER	POS	DIM "A"	DIM "C"	DIM "D"	DIM "E"
919TC-WXY09	9	.366 [9.30]	.157 [4.00]	.118 [3.00]	.1990 [5.055]
-WXY09LF					
-WXY11	11	.406 [10.30]	.197 [5.00]	.157 [4.00]	.2380 [6.045]
-WXY11LF					
-WXY15	15	.484 [12.30]	.276 [7.00]	.236 [6.00]	.3170 [8.052]
-WXY15LF					
-WXY21	21	.602 [15.30]	.394 [10.00]	.354 [9.00]	.4350 [11.049]
-WXY21LF					
-WXY25	25	.681 [17.30]	.472 [12.00]	.433 [11.00]	.5140 [13.056]
-WXY25LF					
-WXY31	31	.800 [20.30]	.591 [15.00]	.551 [14.00]	.6320 [16.053]
-WXY31LF					
-WXY41	41	.996 [25.30]	.787 [20.00]	.748 [19.00]	.8290 [21.057]
-WXY41LF					
-WXY51	51	1.193 [30.30]	.984 [25.00]	.945 [24.00]	1.0260 [26.060]
-WXY51LF					
-WXY69	69	1.547 [39.30]	1.339 [34.00]	1.299 [33.00]	1.3800 [35.052]
-WXY69LF					

NOTES:

1. MATERIALS:

RECEPTACLE HOUSING - LCP, UL-94V-0. COLOR: NATURAL.

RECEPTACLE TERMINALS - COPPER ALLOY, PLATED WITH 15u"/.38u GXT™ IN CONTACT AREA AND 100u"/2.54u Sn ON SOLDER LEGS WITH AN OVERALL 50u"/1.27u Ni UNDERPLATE.

HEADER HOUSING - LCP, UL-94V-0. COLOR: NATURAL.

HEADER TERMINALS - COPPER ALLOY, PLATED WITH 15u"/.38u GXT™ IN CONTACT AREA AND 100u"/2.54u Sn ON SOLDER LEGS WITH AN OVERALL 50u"/1.27u Ni UNDERPLATE.

RETENTION DEVICE - BRASS, PLATED WITH 100u"/2.54u Sn OVER NICKEL.

2. REFERENCE GS-12-006 FOR PRODUCT PERFORMANCE DATA.

- ③ SEE TA-774 FOR FURTHER DESCRIPTION OF HOW THIS DIMENSION IS APPLIED.
- ④ PICK AND PLACE CAP OR TAPE IS ONLY AVAILABLE WITH OPTION 3 PACKAGING. (PSA ADHESIVE SEALED). ALSO, PSA PACKAGING REQUIRES A PICK AND PLACE CAP.
- 5. RECOMMENDED SOLDER PASTE THICKNESS IS .006 TO .008 INCHES THICK.
- ⑥ THE TOE HEIGHT OF THE SOLDER TAIL SHALL BE MEASURED FROM THE LOWEST POINT OF THE .004 CO-PLANARITY GRAVITY PLANE. THIS MEASUREMENT IS NOT TO EXCEED A WINDOW OF .000 TO .007 INCHES.
- ⑦ THREE SLOTS MAY BE LOCATED AT EITHER END OF HOUSING.
- ⑧ 5.50mm MATED HEIGHT IS ONLY AVAILABLE IN 9, 15 AND 31 POS.
- ⑨ 7.50mm MATED HEIGHT IS ONLY AVAILABLE IN 9 POS.
- ⑩ APPLIES TO 91921-3XYZZ AND 91931- 3XYZZ OPTIONS ONLY.
- 11. THE HOUSING WILL WITHSTAND EXPOSURE TO 260°C PEAK TEMPERATURE FOR 30 SECONDS IN A CONVECTION INFRA RED OR VAPOR PHASE REFLOW OVEN. SEE APPLICATION/PROCEDURES IF THEY ARE AVAILABLE
- ⑫ PRODUCT WITH "LF" AT THE END MEETS EUROPEAN UNION DIRECTIVES AND OTHER COUNTRY REGULATION AS DESCRIBED IN GS-22-008.



FCIconnect.com

Copyright FCI

mat'l. code		surface ISO 1902		tolerance ISO 406 ISO 7001		projection 		product family CONAN	
ltr	ecn no	dr	date	tolerances unless otherwise specified					
AF				angles	linear	X.XX.X/XX.X		INCH/MM	
				0'±2'		XXX±.006/XXX±0.13		scale 5:1	
				dr	R.SEIPLE	11/13/91		dwg no	
				engr	D.HORCHLER	01/10/92		sheet 6 of 7 size	
				chr	D.HORCHLER	01/10/92		91900 A3	
				appd	D.HORCHLER	01/10/92		type Product Customer Drawing	
sheet	revision								
index	sheet								

PRODUCT NUMBER
SEE TABLE

CONAN ASSEMBLY PART NUMBER

919 T C - W X Y ZZ LF

LEAD FREE OPTION
SEE NOTE 12

TYPE	T
HEADER WITH NO PEGS	0
HEADER WITH PEGS	1
RECEPTACLE WITH NO PEGS	2
RECEPTACLE WITH PEGS	3

PICK AND PLACE CAP OR TAPE (NOTE 4)	C
WITHOUT CAP OR TAPE	0
WITH CAP	1
WITH TAPE (RECEPTACLE ONLY)	2

PACKAGING	W
TUBE	2
PRESSURE SEALED TAPE & REEL	3

NOTE 4

Y	HEADER HEIGHT	RECEPTACLE HEIGHT	MATED HEIGHT + .010 - .008 [+ .25] [- .20]
1	.034 [.86]	.129 [3.28]	.163 [4.15]
2	.048 [1.23]	SEE Y=1 FOR ALL RECEPTACLES	.177 [4.50]
3	.068 [1.73]		.197 [5.00]
4	.107 [2.72]		.236 [6.00]
5	.1465 [3.721]		.276 [7.00]
* 6	.088 [2.23]		.216 [5.50]
** 7	.1665 [4.229]		.296 [7.52]

* NOTE 8
** NOTE 9

X	PLATING
1	15u"/.38u GXT™
2	30u"/.76u GXT™

ZZ	NUMBER OF POSITIONS
09	9
11	11
15	15
21	21
25	25
31	31
41	41
51	51
69	69

EXAMPLE: 91921-31125LF
IS A CONAN RECEPTACLE ASSEMBLY,
HAVING NO PEGS AND WITH A PICK AND PLACE CAP.
IT ALSO HAS GXT™ PLATING, IS .13 [3.2] HIGH AND 25
POSITIONS AND IS PACKAGED IN PRESSURE SEALED TAPE,
REEL AND LEAD FREE.

mat'l. code		surface ISO 902	tolerance ISO 406 ISO 1101	projection 	product family CONAN
ltr	ecn no	dr	date	title CONAN™ CONNECTOR ASSEMBLY	
AF				linear X.XX±.01/X±0.3 XXX±.006/XX±0.13 0'±2'	INCH/MM scale 5:1
dr	R.SEIPLE	11/13/91		dwg no	sheet 7 of 7 size
engr	D.HORCHLER	01/10/92		91900	A3
chr	D.HORCHLER	01/10/92		type	Product Customer Drawing
appd	D.HORCHLER	01/10/92			
sheet index	revision sheet				

form A3