

A

B

C

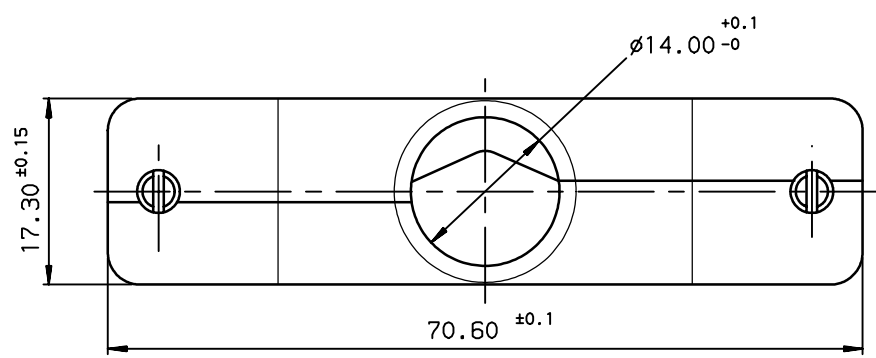
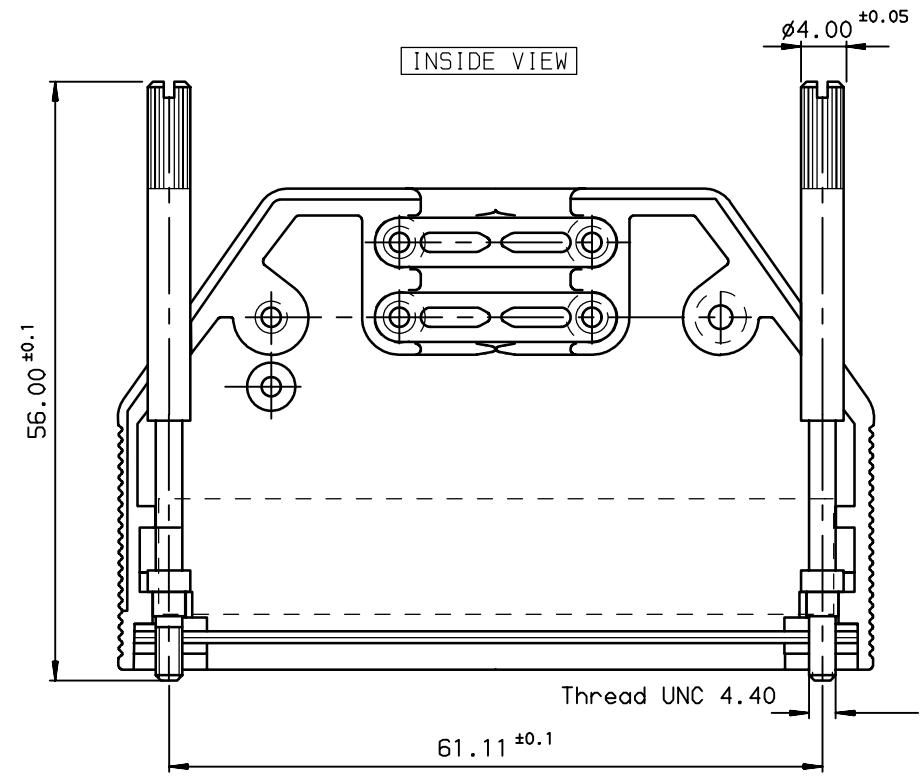
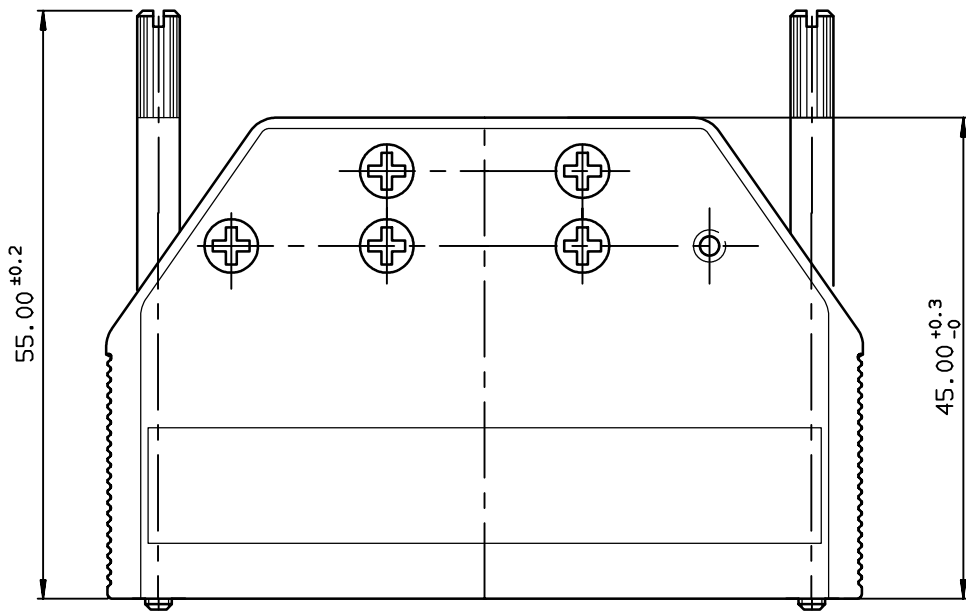
D

A

B

C

D



Core range		
PART NUMBER	8655MH5011	PACKAGING: per 1 piece

FOR STANDARD AND APPLICATION SPECIFIC PART NUMBER SEE SHEET 2.

European Views

www.fciconnect.com		surface ISO 1302 ✓	tolerance std ISO 406 ISO 1101	projection mm	size A3	Scale 2
TOLERANCES UNLESS OTHERWISE SPECIFIED						
Dr	JARRY	1992/03/05	ANGULAR	0.X ±0.1	ECN	LS06-0097
Eng	PESSON	1992/03/05	LINEAR	0.XX ±0.1	Spec ref	-
Chr	LEGARE	1992/03/05	0.XX' ±2'	0.XXX ±0.1		
Appr	LEGARE	1992/03/05	Product family	D-SUB		
FCI		SHIELDED HOODS - TWO PARTS HOODS		dwg no	C01-8655-0629-1	
		(Shell size 50)		Rev.	F	
catalog no		-		CUSTOMER	sheet 1 of 2	

rev	ecn no	dr	date
C	-	BAR	2003/04/15
D	LS05-0026	MPE	2005/07/08
E	LS05-0084	MPE	2005/09/29
F	LS06-0097	LGO	2006/07/28
-	-	-	-
-	-	-	-



Copyright FCI.

A

B

C

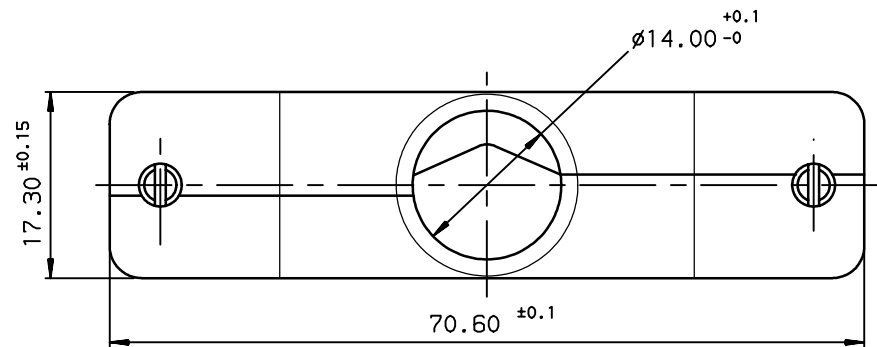
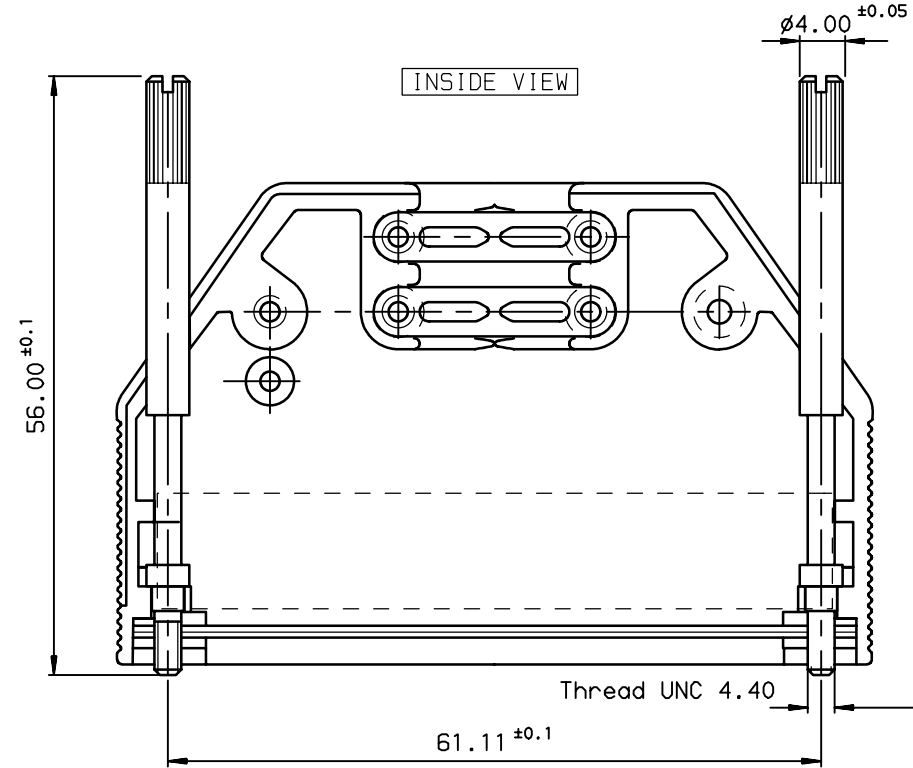
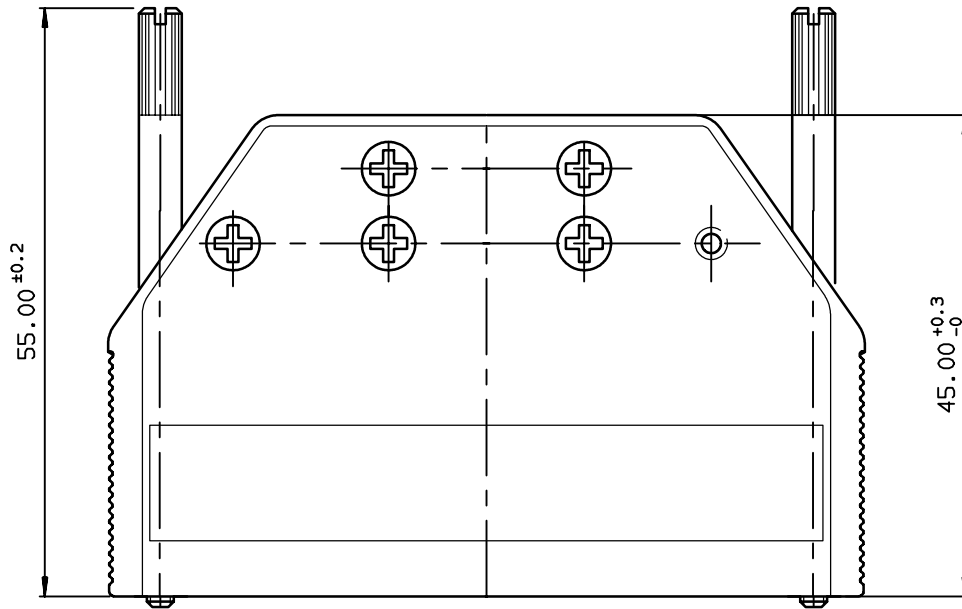
D

A

B

C

D



Pull Parts		
PART NUMBER	8655MH5001	PACKAGING: per 40 pieces

European Views

www.fciconnect.com		surface ISO 1302 ✓	tolerance std ISO 406 ISO 1101	projection mm	size A3	Scale 2
TOLERANCES UNLESS OTHERWISE SPECIFIED						
Dr	JARRY	1992/03/05	ANGULAR	0.X ±0.1	ECN	LS06-0097
Eng	PESSON	1992/03/05	LINEAR	0.XX ±0.1	Spec ref	-
Chr	LEGARE	1992/03/05	0.XX' ±2'	0.XXX ±0.1		
Appr	LEGARE	1992/03/05	Product family	D-SUB		
FCI		SHIELDED HOODS - TWO PARTS HOODS			dwg no	C01-8655-0629-2
		(Shell size 50)			Rev.	F
catalog no		-			CUSTOMER	sheet 2 of 2

rev	ecn no	dr	date
C	-	BAR	2003/04/15
D	LS05-0026	MPE	2005/07/08
E	LS05-0084	MPE	2005/09/29
F	LS06-0097	LGO	2006/07/28
-	-	-	-
-	-	-	-



Copyright FCI.