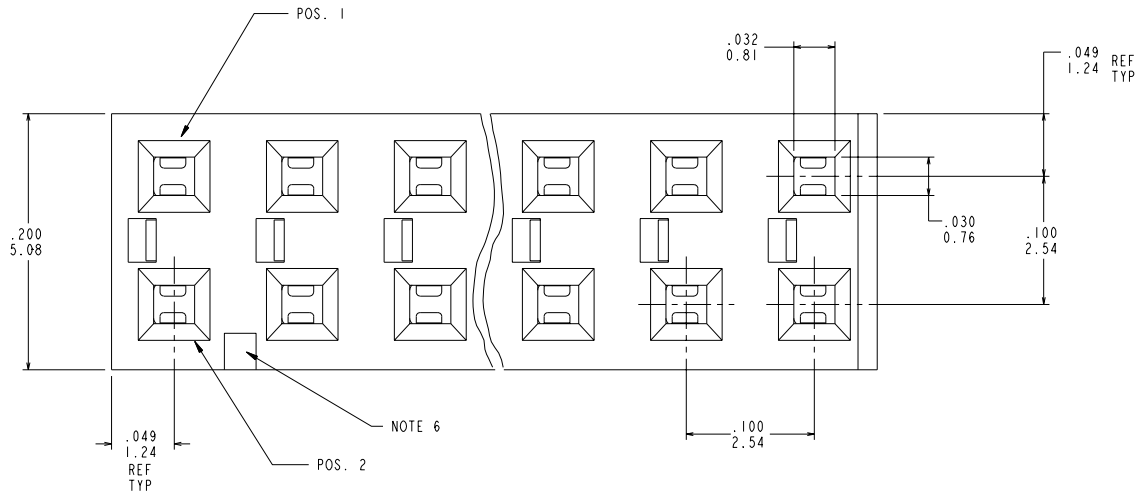
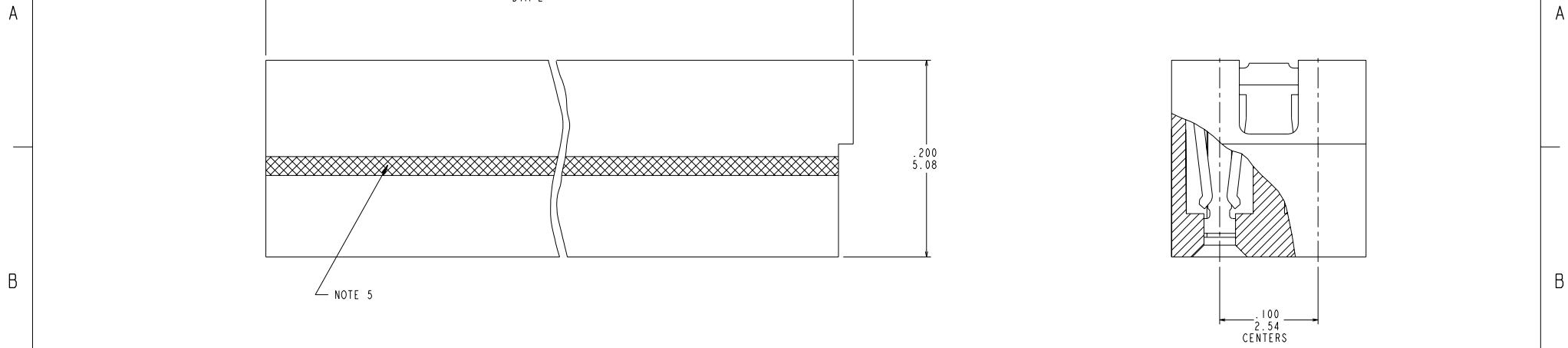


I 2 3 4



Copyright FCJ

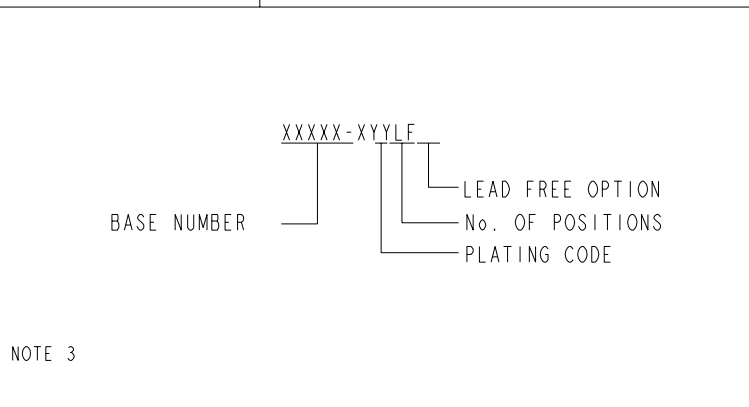
rev	ecn no	dr	date
G	V50245	LSS	2/22/95
H	V61309	EPK	10/1/96
J	V80322	SAR	5/15/98
K	M05-0205	ERE	9/30/05
L	M06-0238	MN	6/17/06
M	M06-0389	AGS	10/4/06
N	N10-0111	David	5/10/10

www.fciconnect.com			surface ISO 1302	<input checked="" type="checkbox"/>	tolerance std ISO 406 ISO 1101	projection 	INCH/MM
TOLERANCES UNLESS OTHERWISE SPECIFIED						size A3	Scale 10:1
Dr	S. RAMP	2/18/91	ANGULAR	0.X	±0.5	ECN N10-0111	
Eng	M. HAHN	2/18/91	LINEAR	0.XX	±0.3	Spec ref	
Chr	M. HAHN	2/18/91	0° ±°	0.XXX	±0.13	Product family	
Appr	M. HAHN	2/18/91	Product family			Spec ref	
FCJ			D.R. MULTI POSITION PROFILE JUMPER ASS'Y			dwg no 69145	Rev. N
catalog no			CUSTOMER			sheet 1 of 2	

REV F - 2006-04-17

I 2 3 4

PRODUCT No.	NO. OF POS.	DIM L	DESC PRODUCT NUMBER ON -8XX SERIES ONLY	SELECT LOADING	LEAD FREE OPTION
69145-X04	2 X 2	.1980/5.029	WWWWW-04	NO	NOTE 5
-X06	2 X 3	.2980/7.569	WWWWW-06	NO	
-X08	2 X 4	.3980/10.109	WWWWW-08	NO	
-X10	2 X 5	.4980/12.649	WWWWW-10	NO	
-X12	2 X 6	.5980/15.189	WWWWW-12	NO	
-X14	2 X 7	.6980/17.729	WWWWW-14	NO	
-X16	2 X 8	.7980/20.269	WWWWW-16	NO	
-X18	2 X 9	.8980/22.809	WWWWW-18	YES	
69145-X20	2 X 10	.9980/25.349	WWWWW-20	NO	
				1-2 9-10 17-18 ONLY FOR 69145-518	

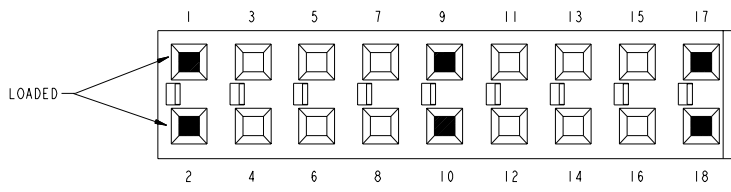


PLATINGS;

- 1XX 15u"/.38u Au CONTACT AREA
- 2XX 30u"/.76u Au CONTACT AREA
- 3XXLF 100u"/2.54u Sn CONTACT AREA
- 4XX-Au-FLASH-OVER-50u"-Ni-CONTACT-AREA----- OBSOLETE

NOTES:

- MATERIAL POLYESTER. FLAME RETARDENT PER UL-94-V0. COLOR - BLACK
- RECOMMENDED APPLICATION DATA
 - A. ALL MATING PINS TO BE .025/.64 SQ. ON TRUE CENTER OF GIVEN TERMINAL SPACING WITHIN .015/.38 DIA.
 - B. SUGGESTED MATING PIN LENGTH .160/4.06 MIN.
- 69145-518 SELECT LOADED WITH 30u"/.76u GOLD CONTACTS.
- .005/0.13 RECESS PERMISSABLE AT THIS LOCATION FOR ASSEMBLY PROCESSING.
- ADD "LF" SUFFIX AT THE END OF PART NUMBER FOR LEAD FREE OPTION.
- THIS PRODUCT MEETS EUROPEAN UNION DIRECTIVES AND OTHER COUNTRY REGULATION AS DESCRIBED IN GS-22-008.
- THIS PRODUCT IS NOT INTENDED TO BE EXPOSED TO A MANUFACTURING SOLDER PROCESS.



LOADED POSITIONS
PIN ENTRANCE
(BOTTOM)

www.fciconnect.com			surface ISO 1302 ✓	tolerance std ISO 406 ISO 1101	projection A3	INCH/MM
TOLERANCES UNLESS OTHERWISE SPECIFIED						
Dr	S. RAMP	2/18/91	ANGULAR	0.X	±0.5	size
Eng	M. HAHN	2/18/91	LINEAR	0.XX	±0.3	Scale
Chr	M. HAHN	2/18/91	0° ±°	0.XXX	±0.13	A3
Appr	M. HAHN	2/18/91	Product family	ECN		N10-0111
FCI			D.R. MULTI POSITION PROFILE JUMPER ASS'Y		Spec ref	
catalog no			69145		Rev.	N
			CUSTOMER		sheet 2 of 2	

Copyright FCI.