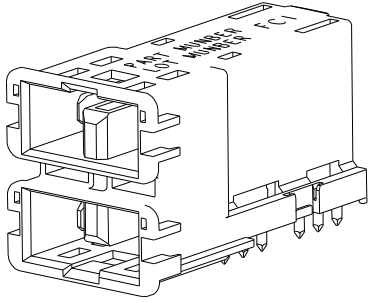
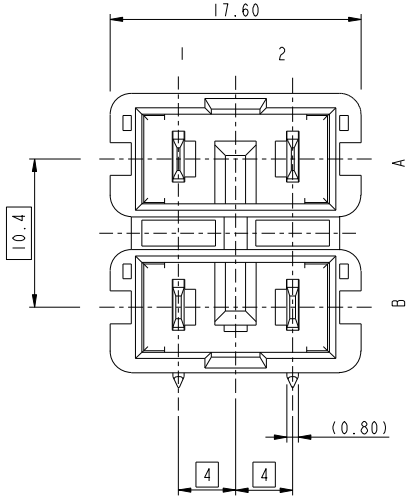
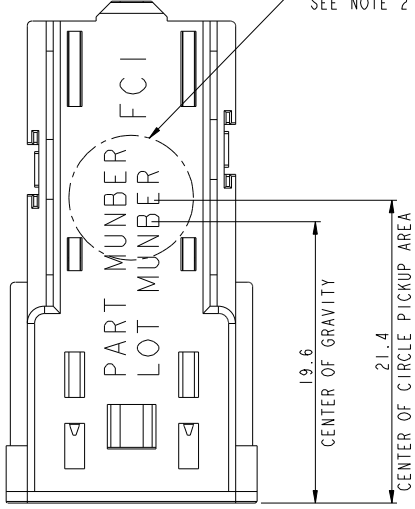


PART NUMBER	DIM "A"	PCB THICKNESS	CONTACT FINISH
10115670-201LF	2.6	1.6-2.4mm ±10%	Sn over Ni

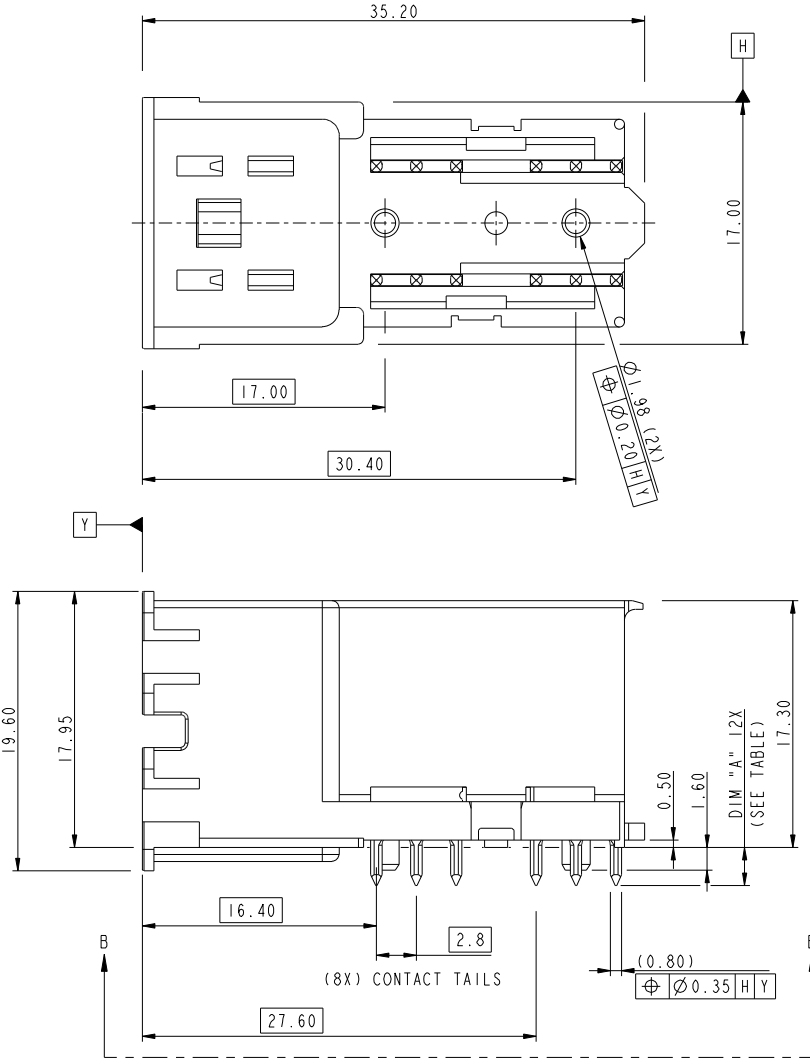
A
B
C
D
E
F



CONNECTOR WITHOUT SHIELDING



- NOTES:
- 1 - HOUSING MATERIAL: HIGH TEMPERATURE GLASS FILLED THERMOPLASTIC, UL 94 V-0
POWER CONTACT MATERIAL: COPPER ALLOY
 - 2 - CONNECTOR CAN BE PICKED UP WITH A VACUUM NOZZLE DIAMETER UP TO 9 MM.
 - 3 - PRODUCT SPECIFICATION: GS-12-589
 - 4 - PRODUCT MARKING, (PART NUMBER & LOT CODE) ON THIS SURFACE.
 - 5 - MATES WITH PWR PROFILE(TM) CABLE ASSEMBLY (P/N:10076440)
 - 6 - HOLE DIAMETER INCLUDES Cu PLATING

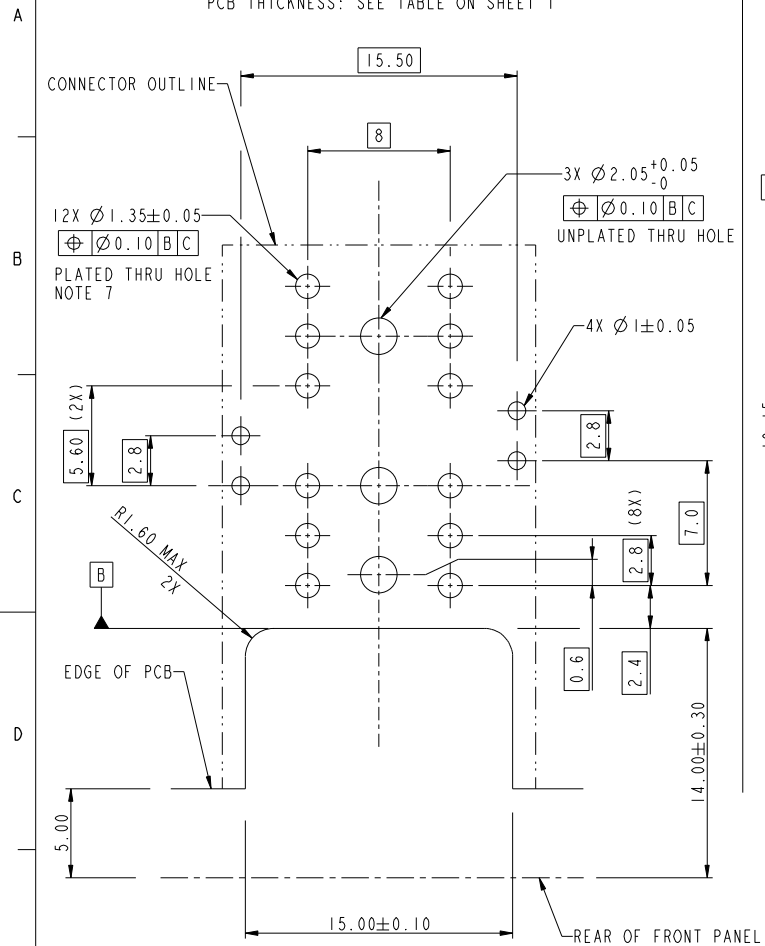


Copyright FCI

www.fciconnect.com				surface	tolerance std	projection	MM
				TOLERANCES UNLESS OTHERWISE SPECIFIED			
Dr	HEAVEN CEN	7/27/10		ANGULAR	LINEAR	size	Scale
Eng	HEAVEN CEN	7/27/10		0.x	± 0.5	A2	1:1
Chr	PM ZHENG	7/27/10		0.xx	± 0.25		
Appr	JOSEPH HSIA	7/27/10		0.xxx	± 0.1	ECN	
				Product family		PROFILE	Spec ref
FCI				DOUBLE DECK PWR PROFILE		10115670	Rev.
				RA HEADER PIP ASSEMBLY			B
catalog no				CUSTOMER		sheet 1 of 3	

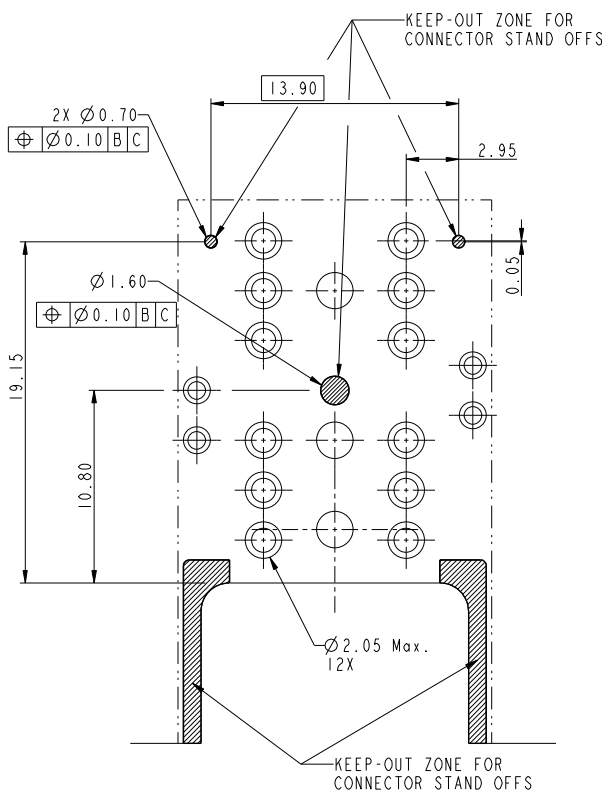
PCB LAYOUT: HOLE PATTERN

PCB THICKNESS: SEE TABLE ON SHEET 1



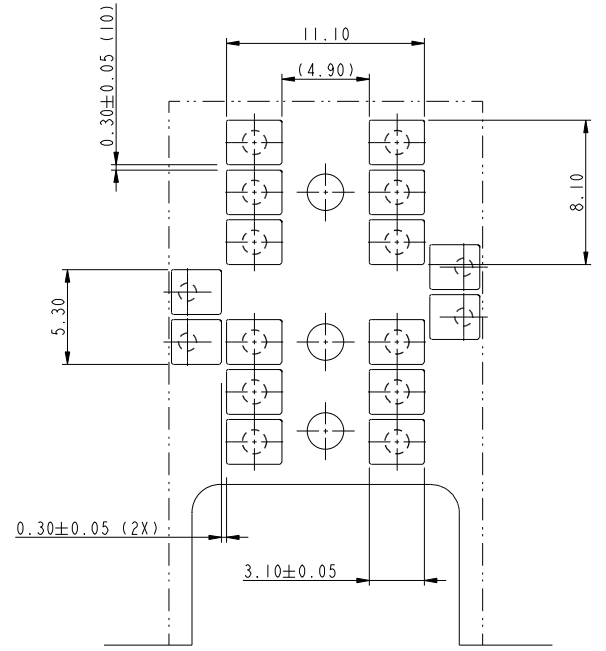
PCB LAYOUT: PLATING

PLATING THICKNESS MUST BE CONSTANT OVER THE CONNECTOR AREA

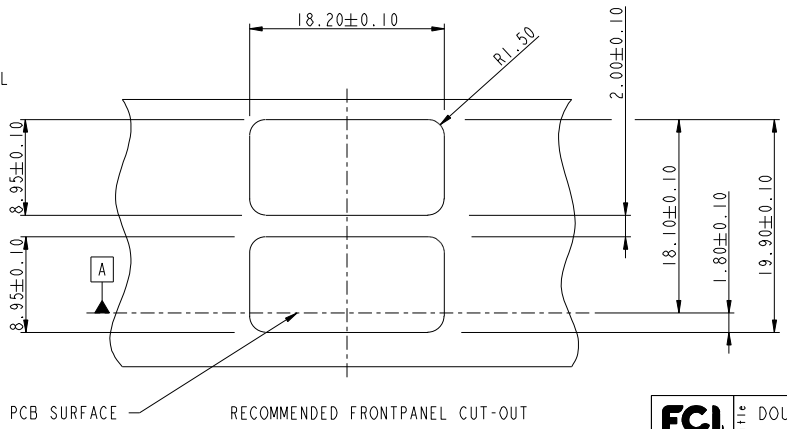
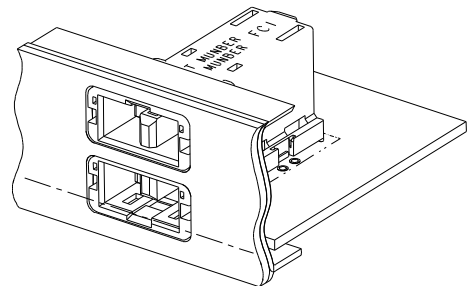


PCB LAYOUT: SOLDER PASTE

RECOMMENDED STENCIL LAYOUT WITH MIN. REQUIRED APERTURES FOR 0.1MM ASSUMED STENCIL THICKNESS (ABOVE COPPER TRACKS) THE SOLDER CONTENT IN THE PASTE SHOULD BE SUFFICIENT, TYPICALLY 50% VOLUME PERCENTAGE. THE SCREEN PRINTING PROCESS (ANGLE, SPEED, PRESSURE, MATERIALS AND NUMBER OF CYCLES) MUST BE OPTIMIZED SO THAT SUFFICIENT SOLDER IS AVAILABLE.



Copyright FCI



TOP OF PCB SURFACE

FCI	TITLE	DOUBLE DECK PWR PROFILE	dra g no	10115670	Rev.	B
		RA HEADER PIP ASSEMBLY	CUSTOMER	sheet 2 of 3		

1

2

3

4

5

6

7

8

A

B

C

D

E

F

A

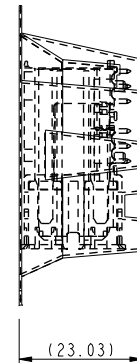
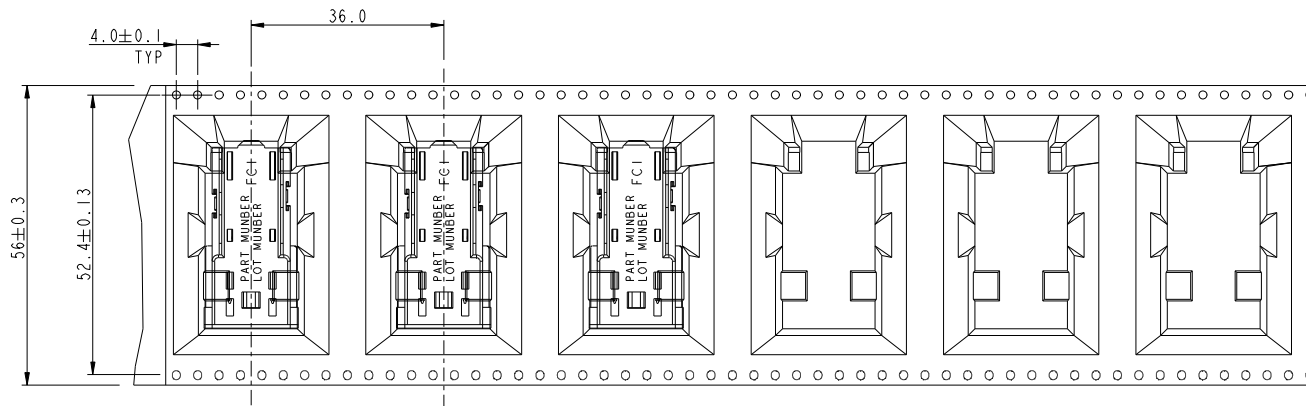
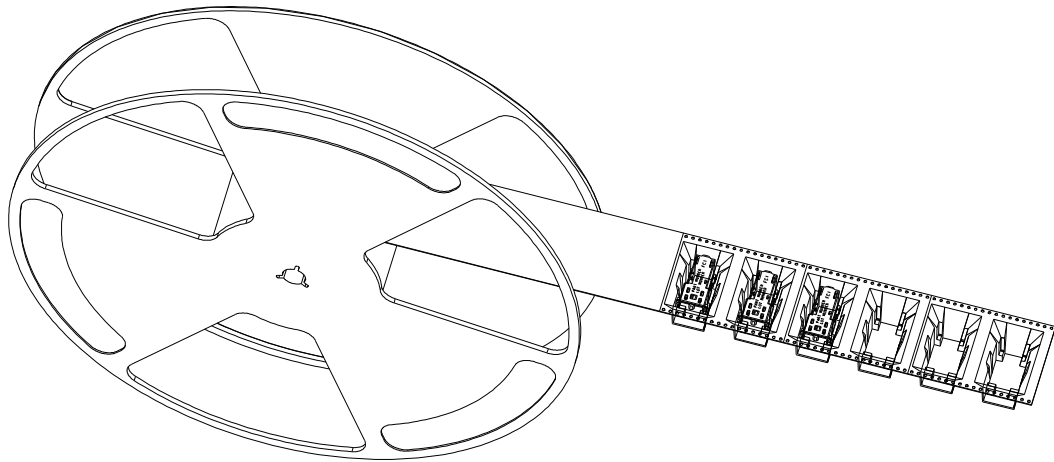
B

C

D

E

F



----->
USER DIRECTION OF FEED

NOTE:
1: MATERIAL CARRIER TAPE: POLYSTYRENE;
2: MATERIAL COVER TAPE: POLYESTER;
3: THE PACKAGING IS ANTISTATIC TREATED.

Copyright FCI.
FCI

FCI	TITLE	DOUBLE DECK PWR PROFILE	Rev.	B
	RA HEADER PIP ASSEMBLY			
CATALOG NO		10115670	CUSTOMER	sheet 3 of 3