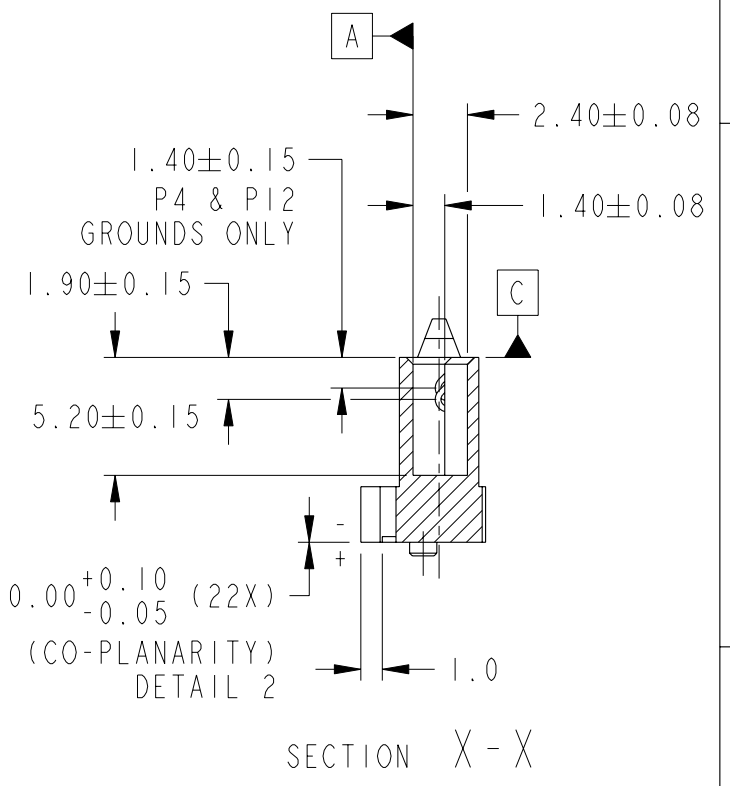
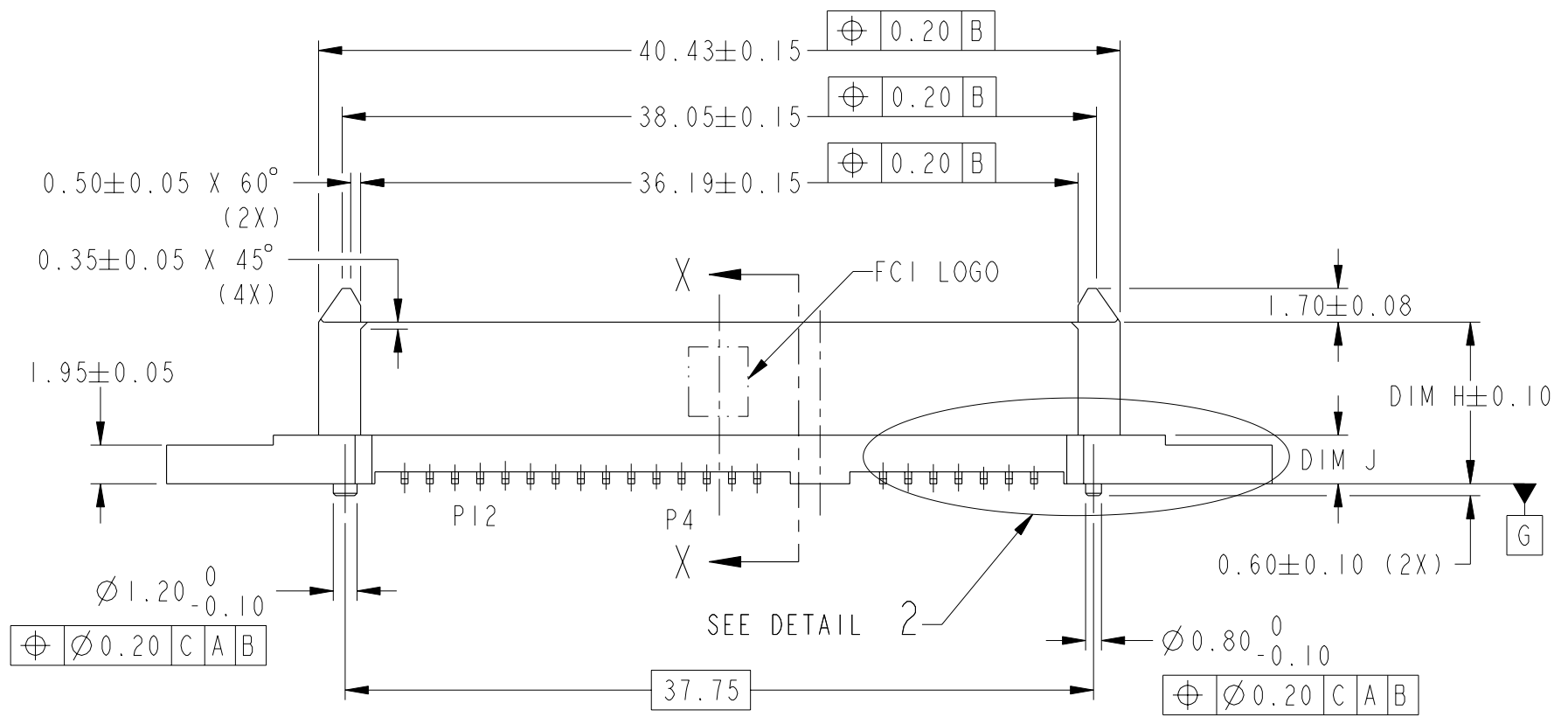
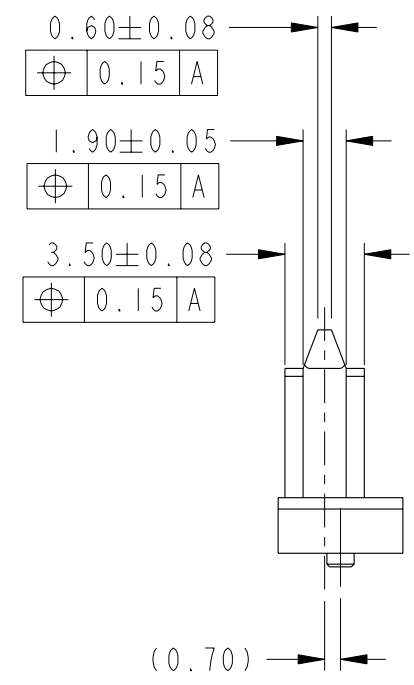
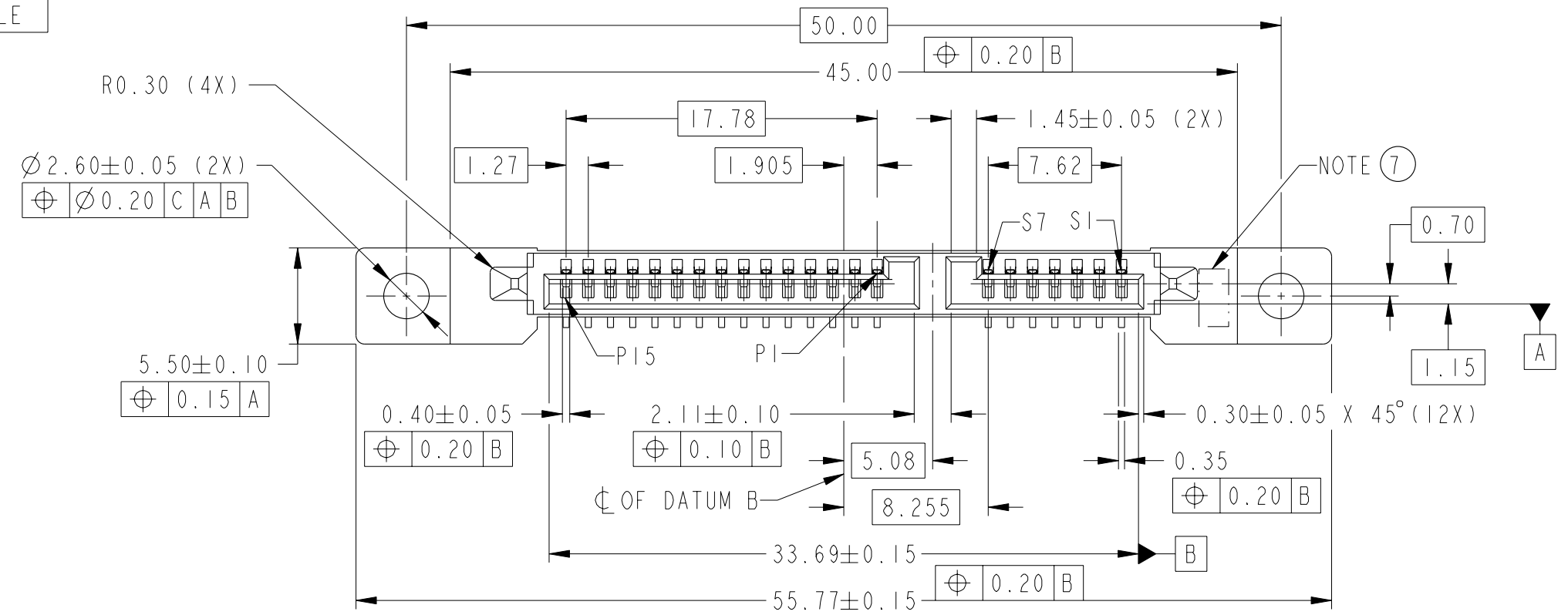


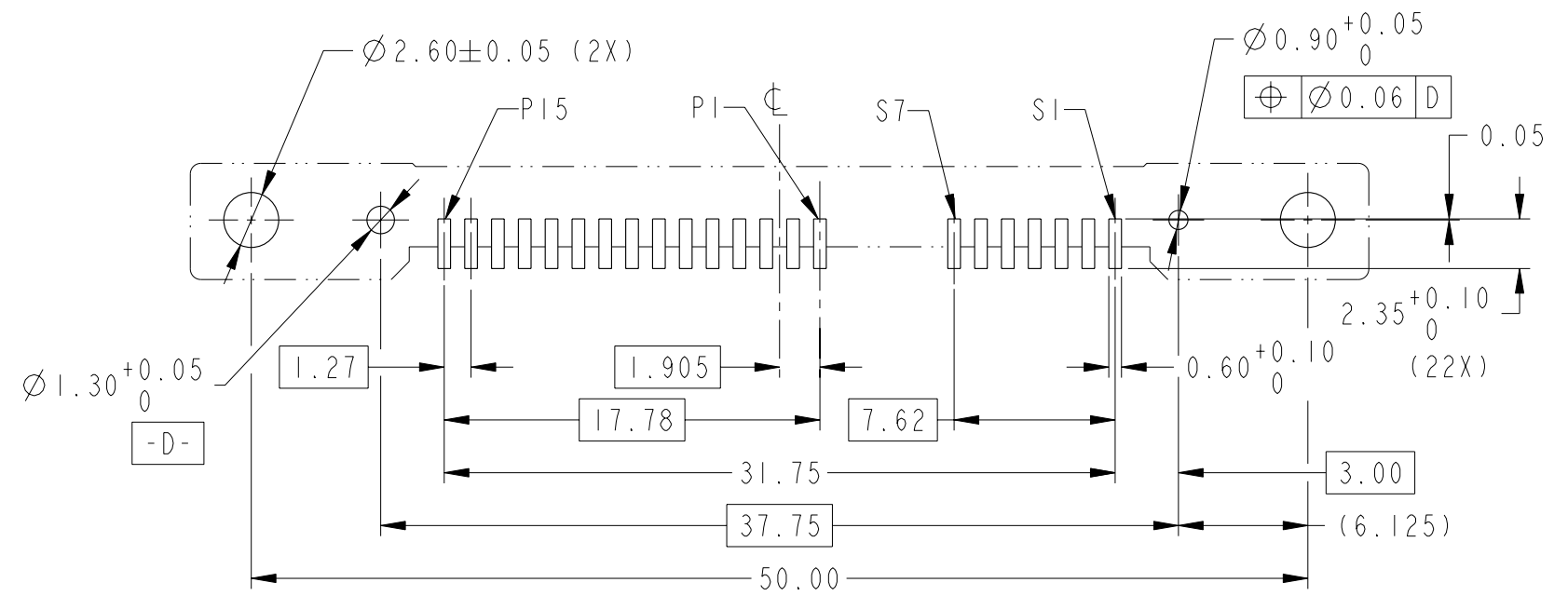
PRODUCT NO
SEE TABLE



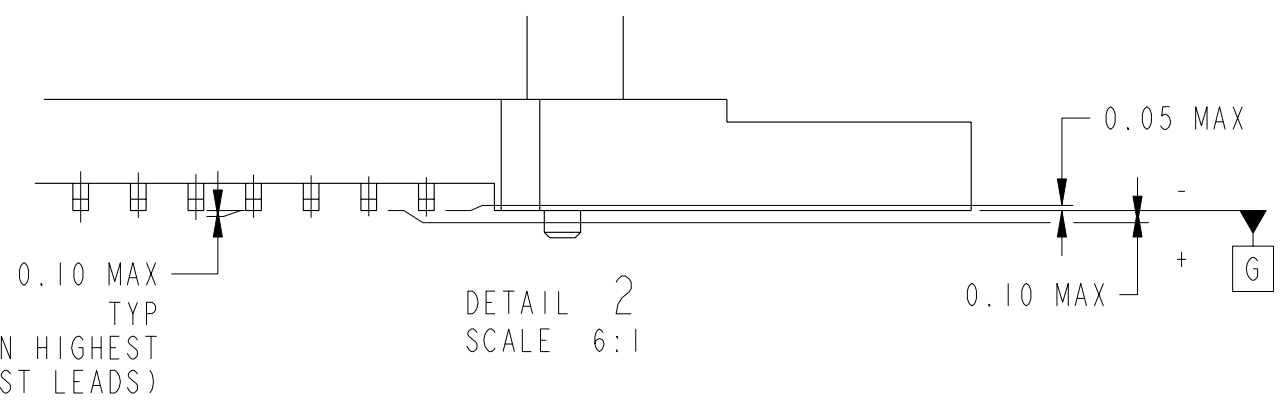
Copyright FCI.

spec ref	-	dr	GL LOO	2005-04-20	projection	MM	size	A3	scale	3:1
tolerance std	ISO 406 ISO 1101	eng	GL LOO	2005-04-20			ecn no	S10-0228	rel level	-
TOLERANCES UNLESS OTHERWISE SPECIFIED		chr	GL LOO	2010-10-28						
surface	ISO 1302	appr	JOEY NG	2010-10-28			rel level	-		
	linear	0.X	\pm				dwg no	10045103	rev	G
		0.XX	± 0.20				Product - Customer Drw		sheet 1 of 2	
	angular	0°	$\pm 3^\circ$				Product - Customer Drw		sheet 1 of 2	

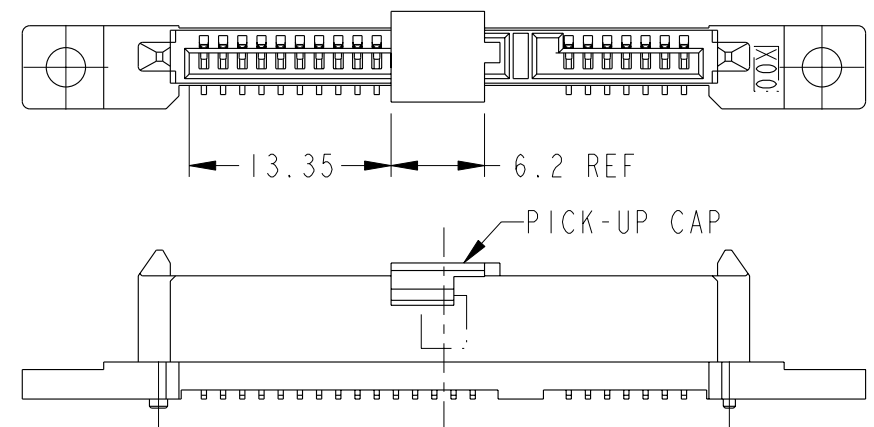
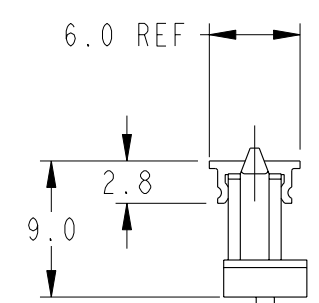
PRODUCT NO	DIM H	DIM J	PICK-UP CAP	PACKAGING
10045103-001LF	8.15	2.45	NO	TRAY
10045103-001CLF			YES	TRAY
10045103-001C-TRLF			YES	TAPE & REEL
10045103-002LF	8.45	2.75	NO	TRAY
10045103-002CLF			YES	TRAY
10045103-002C-TRLF			YES	TAPE & REEL



RECOMMENDED PCB LAYOUT



DETAIL 2
SCALE 6:1



SCALE 2:1
PART WITH PICK-UP CAP, SEE NOTE (8)

NOTES:

- THIS PRODUCT MEETS THE SATA SPEC REV. 1.0a
- MATERIAL :
1) HOUSING : HIGH TEMP THERMOPLASTIC, UL 94V-0
COLOR : BLACK
2) TERMINAL : COPPER ALLOY
3) HOLD DOWN : COPPER ALLOY
- FINISH :
1) TERMINAL : 30μ" Au PLATING (CONTACT POINT) OVER 50μ" NICKEL
2) SOLDER TAIL : 100μ" MIN Sn OVER 50μ" NICKEL
3) HOLD DOWN : 100μ" MIN Sn OVER 50μ" NICKEL
- THE HOUSING WILL WITHSTAND EXPOSURE TO 260° C PEAK TEMPERATURE FOR 10 SECONDS IN A CONVECTION, INFRA-RED OR VAPOR PHASE REFLOW OVEN.
- THIS PRODUCT MEETS EUROPEAN UNION DIRECTIVES AND OTHER COUNTRY REGULATIONS AS DESCRIBED IN GS-22-008.
- THE STD PACKAGING IS IN TRAY UNLESS OTHERWISE SPECIFIED.
- IDENTIFICATION NUMBER FOR CONNECTOR HOUSING.
- PART WITH PICK-UP CAP, P/N XXXXXXXX-XXXC LF
- FOR TAPE & REEL PACKAGING, SUFFIX "-TR" ADDED. P/N XXXXXXXX-XXXC-TR LF
- A $\triangle G$ SYMBOL WILL BE NEXT TO ANY DIMENSION, VIEW, OR NOTE WHICH HAS BEEN MODIFIED WITH THE CURRENT DRAWING REVISION.

spec ref	-	dr	GL LOO	2005-04-20	projection	MM	size	A3	scale	3:1			
tolerance std	ISO 406 ISO 1101	eng	GL LOO	2005-04-20			ecn no	S10-0228	rel level	-			
TOLERANCES UNLESS OTHERWISE SPECIFIED		chr	GL LOO	2010-10-28							product family	S-ATA	
surface	ISO 1302	appr	JOEY NG	2010-10-28					linear 0.X ±- 0.XX ±0.20 0.XXX ±- angular 0° ±3°		title S-ATA COMB RECEP. VERTICAL SMT TYPE ASSY	dwg no 10045103	rev G
		www.fci.com		cat. no.	-		Product - Customer Drw		sheet 2 of 2				

Copyright FCI.