

## Description

Electronic circuit breaker type ESS20-0.. is designed to ensure **selective** disconnection of individual loads in systems which are powered by a DC 24 V switch-mode power supply.

DC 24 V power supplies, which are widely used in industry today, will shut down the output in the event of an overload with the result that one faulty load in the system can lead to complete disconnection of all loads. As well as an unidentified failure this also means stoppage of the whole system.

Through **selective** disconnection the ESS20-0.. responds much faster to overload or short circuit conditions than the switch-mode power supply. This is achieved by a combination of active current limitation and well-proven circuit breaker technology including physical isolation. The ESS20-0.. limits the highest possible current to 1.8 or 1.5 times the selected rated current of the circuit breaker. Thus it is possible to switch on capacitive loads of up to 75,000 µF lamp loads, but they are disconnected only in the event of an overload or short circuit.

For optimal adjustment to the application conditions the current rating of the ESS20-0.. can be selected in fixed values from 0.5 A...10 A and in adjustable variants 1 A/2 A or 3 A/6 A. Failure and status indication are provided by a bicolour LED and an integral signal contact.

The ESS20-0.. features a width of only 12.5 mm and can be plugged into the E-T-A power distribution socket Module 17plus and SVS02/SVS04 (for ESS20-003) ensuring ease of installation and saving space in control cabinets.

## Features

- Selective load protection with physical isolation in the event of a fault.
- All types of loads can be connected (small DC motors etc. on request).
- Active current limitation (1.8 or 1.5 times rated current  $I_N = 8$  A or 10 A) for safe connection of capacitive loads up to 75,000 µF and on overload/short circuit.
- Electronic trip characteristic.
- Reliable overload disconnection with  $1.1 \times I_N$  plus, even with long load lines or small cable cross sections (see table 2).
- Selectable current ratings (fixed values 0.5 A...10 A or two steps: 1 A/2 A or 3 A/6 A).
- Manual ON/OFF button (push-push actuation).
- Clear status and failure indication.
- Width per unit only 12.5 mm.
- Plug-in mounting utilising power distribution system Module 17plus or SVS02/SVS04 (for ESS20-003), see product group 7.

## Approvals

Authority	Voltage ratings	Current ratings
UL 1077	DC 24 V	0.5...10 A

**Attention: the user has to make sure that the cable cross sections of the relevant load circuit are suitable for the current rating of the ESS20 used.**



ESS20-0..

## Technical data ( $T_{\text{ambient}} = 25$ °C, operating voltage $U_S = \text{DC } 24$ V)

### Operating data

Operating voltage $U_S$	DC 24 V (18...32 V)
Current rating $I_N$	fixed current ratings: 0.5 A, 1 A, 2 A, 3 A, 4 A, 6 A, 8 A, 10 A switchable: 1 A/2 A or 3 A/6 A
Power consumption	typically 13 mA
Trip current (bimetal)	typically 0.3 A (only in the event of a failure, before physical isolation)
Status indication by means of	<b>bicolour LED:</b> GREEN: unit is ON, power-MOSFET is switched on ORANGE: in the event of overload or short circuit until physical isolation LED not lighted: push button in OFF position <b>potential-free signal contact</b> (change-over contact) <b>OFF-position of push button</b>

Reverse polarity protection of $U_S$	internal bimetal (fail-safe element) trips, push button moves into OFF position
--------------------------------------	---

### Load circuit

Load output	Power-MOSFET switching output (high side switch)
Max. data of load with side-by-side mounting	see table 1
Voltage drop at $I_N$	see table 1
Overload disconnection	typically $1.1 \times I_N$ ( $1.05...1.35 \times I_N$ )
Short-circuit current $I_K$	typically $1.8 \times I_N$ / active current limitation
Trip time for physical isolation	see time/current characteristics typically 5 sec at $I_{\text{load}} > 1.1 \times I_N$
Trip time for electronic disconnection	typically 5 sec...100 ms at $I_{\text{load}} > 1.8 \times I_N$ or $1.5 \times I_N$

Temperature disconnection	internal temperature monitoring with physical isolation
Low voltage monitoring load output	ON at $U_S > 16$ V OFF at $U_S < 8$ V
Starting delay $t_{\text{start}}$	typically 0.3 sec after every switch-on and after applying $U_S$
Disconnection of load circuit	single pole (switch contact) - by push-push actuation of the blue push button - upon electronic fault disconnection (overload, short circuit) - with reverse polarity
Free-wheeling circuit	external free-wheeling diode recommended with inductive load
Several load outputs must not be connected in parallel.	

## Technical data (T<sub>ambient</sub> = 25 °C, operating voltage U<sub>S</sub> = DC 24 V)

### Fault indication, signal output

Fault indications	potential-free auxiliary contact change-over (SC-SO / SC-SI) simultaneously with physical isolation max. DC 30 V / 0.5 A, min. 10 V / 10 mA
Signal output ESS20-001 (single signalisation N/O)	<b>blue push button in ON position:</b> signal contact SC-SI is closed <b>blue push button in OFF position:</b> signal contact SC-SI is open
Signal output ESS20-003 (group signalisation N/C)	<b>blue push button in ON position:</b> signal contact SC-SO is closed (SC-SI is open) <b>blue push button in OFF position:</b> signal contact SC-SO is open (SC-SI is closed)
Visual indication	LED lighted in ORANGE (until physical isolation)

### General data

Backup fuse for ESS20-0..	<b>not required</b> because of the integral redundant fail-safe element (thermal E-T-A circuit breaker) push button in OFF position when fail-safe element has tripped.
Blade terminals	6.3 mm to DIN 46244-A6.3-0.8
Housing material	plastics material
Mounting of housing	plug-in mounting utilising power distribution system Module 17plus or SVS02
Ambient temperature	0...+50 °C (without condensation, see EN 60204-1)
Storage temperature	-20...+70 °C
Humidity	96 hrs/95 % RH/40 °C to IEC 60068-2-78, test Cab. climate class 3K3 to EN 60721
Vibration	3 g, test to IEC 60068-2-6 test Fc
Degree of protection	housing: IP30 DIN 40050 terminals: IP00 DIN 40050
EMC (EMC directive, CE logo)	emission: EN 50081-1 susceptibility: EN 61000-6-2
Insulation co-ordination (IEC 60934)	0.5 kV/2 pollution degree 2 re-reinforced insulation in operating area
Dielectric strength operating area installation area load circuit-signal contact	(see dimensions) test voltage AC 1000 V test voltage AC 500 V test voltage AC 500 V
Insulation resistance (OFF condition)	> 100 MΩ (DC 500 V) [LINE (+) - LOAD (+)]
Approvals	UL 1077, File E67320 Supplementary Protectors for use in Electrical Equipment CE logo
Dimensions (W x H x D)	12.5 x 105 x 60 mm
Mass	approx. 65 g

Table 1: voltage drop, current limitation, max. load current

current rating I <sub>N</sub>	typically voltage drop U <sub>ON</sub> at I <sub>N</sub>	active current limitation (typically)	max. load current at 100 % ON duty	
			T <sub>U</sub> = 40 °C	T <sub>U</sub> = 50 °C
0.5 A	100 mV	1.8 x I <sub>N</sub>	0.5 A	0.5 A
1 A	140 mV	1.8 x I <sub>N</sub>	1 A	1 A
2 A	180 mV	1.8 x I <sub>N</sub>	2 A	2 A
3 A	140 mV	1.8 x I <sub>N</sub>	3 A	3 A
4 A	190 mV	1.8 x I <sub>N</sub>	4 A	4 A
6 A	280 mV	1.8 x I <sub>N</sub>	6 A	5 A
8 A	220 mV	1.5 x I <sub>N</sub>	8 A	7 A
10 A	280 mV	1.5 x I <sub>N</sub>	10 A	9 A
1 A/2 A	140 mV/280 mV	1.8 x I <sub>N</sub>	1 A/2 A	1 A/2 A
3 A/6 A	140 mV/280 mV	1.8 x I <sub>N</sub>	3 A/6 A	3 A/5 A

Attention: when mounted side-by-side without convection the ESS20-0.. should not carry more than 80 % of its rated load with 100 % ON duty because of the integral thermal circuit breaker.

## Ordering information

### Type No.

**ESS20** Electronic Circuit Breaker with current limitation (e.g. typically 1.8 times rated current or 1.5 x I<sub>N</sub>, see table 1)

<b>Version</b>	<b>0</b> with physical isolation in the event of a failure
<b>Control input</b>	<b>0</b> without control input
<b>Signal output</b>	<b>1</b> signal contact N/O (single signalisation) <b>2</b> signal contact N/C (single signalisation) <b>3</b> signal contact changeover (group signalisation)
<b>Operating voltage</b>	<b>DC 24 V</b> rated voltage DC 24 V
<b>Current rating</b>	<b>0.5 A</b> <b>1 A</b> <b>2 A</b> <b>3 A</b> <b>4 A</b> <b>6 A</b> <b>8 A</b> <b>10 A</b> <b>1 A/2 A</b> (selectable) <b>3 A/6 A</b> (selectable)

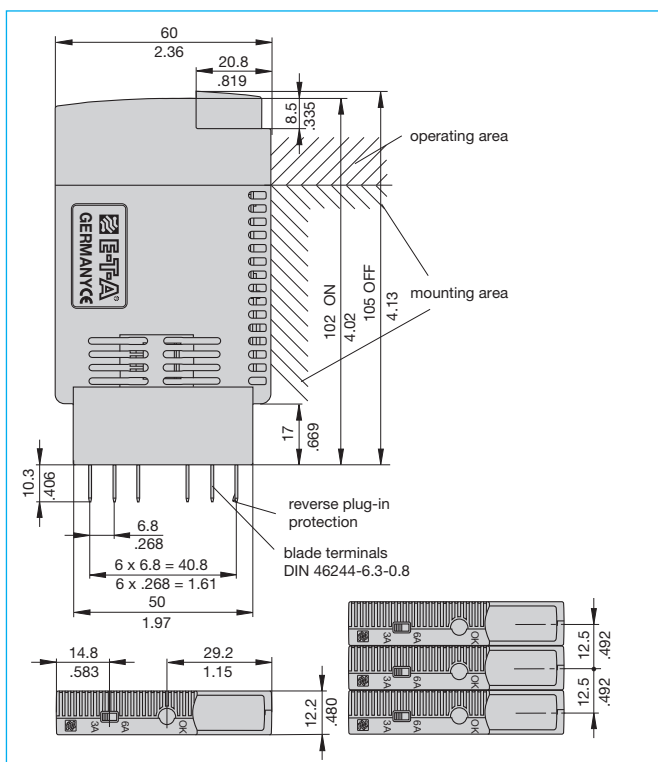
ESS20 - 0 0 3 - DC 24 V - 3 A/6 A ordering example (recommended type)

**Attention: the user has to make sure that the cable cross sections of the relevant load circuit are suitable for the current rating of the ESS20 used.**

## Preferred types

Preferred types	Standard current ratings (A)									
	0.5	1	2	3	4	6	8	10	1/2/3/6	
ESS20-003-DC24V	x	x	x	x	x	x	x	x	x	x
ESS20-001-DC24V	x	x	x	x	x	x	x	x	x	x

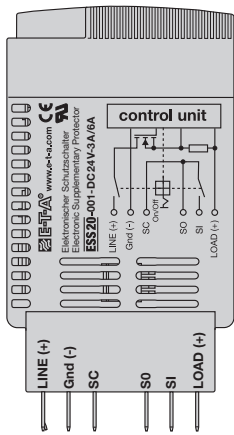
## Dimensions



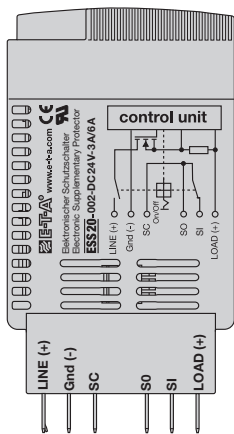
This is a metric design and millimeter dimensions take precedence (mm / inch)

**Terminal wiring diagrams (e. g. adjustable 3 A/6 A)**

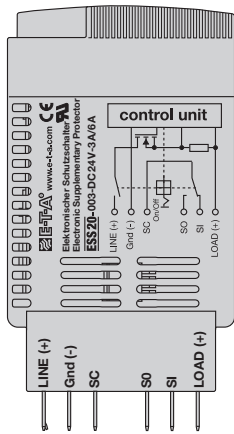
**ESS20-001-...**



**ESS20-002-...**

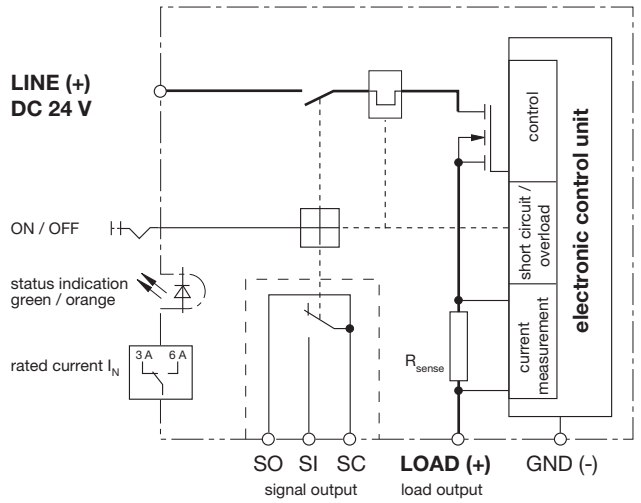


**ESS20-003- ...**

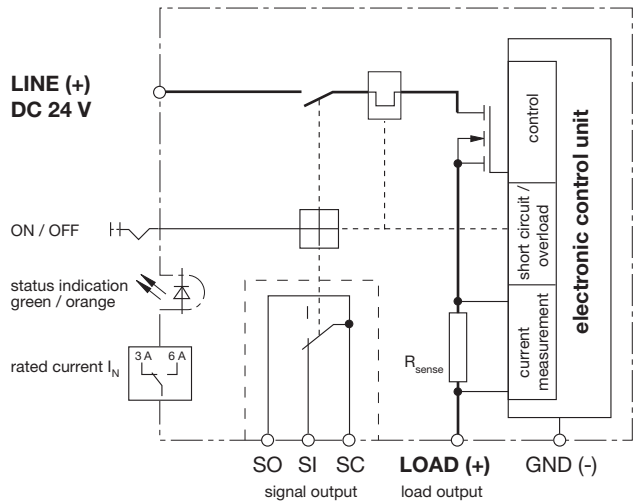


**Basic circuit diagrams (e. g. adjustable 3 A/6 A)**

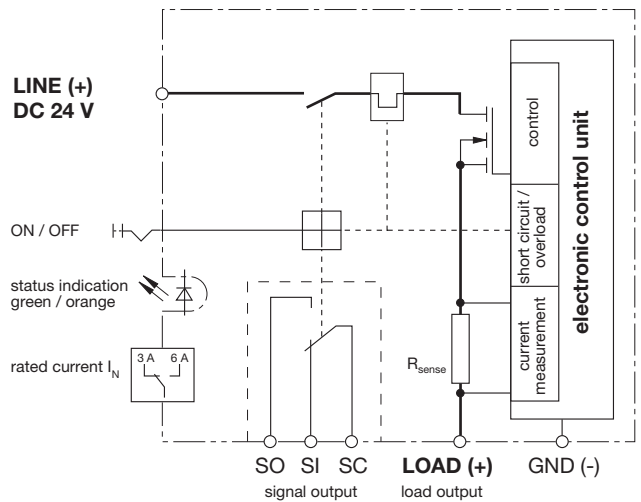
**ESS20-001-... (single signalisation N/O)**



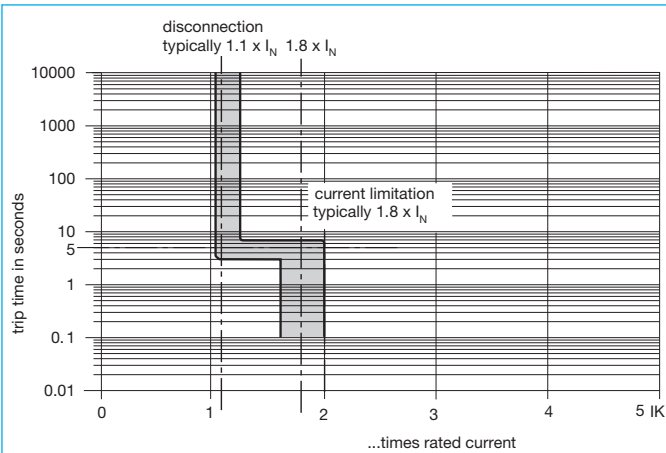
**ESS20-002-... (single signalisation N/C)**



**ESS20-003- ... (group signalisation with change over)**



**Time/Current characteristic curve (T<sub>A</sub> = 25 °C)**



- The trip time is typically 5 s in the range between 1.1 and 1.8 x I<sub>N</sub><sup>\*)</sup>.
- Electronic current limitation starts at typically 1.8 x I<sub>N</sub><sup>\*)</sup> which means that under all overload conditions (independent of the power supply and the resistance of the load circuit) the max. overload until disconnection will not exceed 1.8 x I<sub>N</sub><sup>\*)</sup> times the current rating. Trip time is between 100 ms (short circuit current I<sub>k</sub>) and 5 sec (at overload with high line attenuation).
- Without the current limitation activated at typically 1.8 x I<sub>N</sub><sup>\*)</sup> a considerably higher overload current would flow in the event of an overload or short circuit.
- After detection of an overload or short circuit the LED changes colour from GREEN to ORANGE. The LED will no longer be lighted after the circuit breaker has tripped.
- Resetting the circuit breaker is not possible before the integral bimetal has cooled down (approx. 10 sec).

<sup>\*)</sup> current limitation typically 1.8 x I<sub>N</sub> times rated current at I<sub>N</sub> = 0.5 A...6 A  
current limitation typically 1.5 x I<sub>N</sub> times rated current at I<sub>N</sub> = 8 A...10 A

**Table 2: Reliable trip of ESS20**

**Reliable trip of ESS20 with different cable lengths and cross sections**

Resistivity of copper ρ<sub>0</sub> = 0.0178 (Ohm x mm<sup>2</sup>) / m

U<sub>S</sub> = DC 19.2 V (= 80 % v. 24 V)

voltage drop of ESS20 and tolerance of trip point (typically 1.1 x I<sub>N</sub> = 1.05...1.35 x I<sub>N</sub>) have been taken into account.

ESS20-selected rating I<sub>N</sub> (in A) →

**3**                      **6**

e. g. trip current I<sub>ab</sub> = 1.25 x I<sub>N</sub> (in A) →

3.75                      7.5

→ **ESS20 trips after 3...5 s**

R<sub>max</sub> in Ohm = (U<sub>S</sub> / I<sub>ab</sub>) - 0.050 →

**5.07**                      **2.51**

**The ESS20 reliably trips from 0 Ohm to max. circuitry resistance R<sub>max</sub>**

Cable cross section A in mm <sup>2</sup> →	0.14	0.25	0.34	0.5	0.75	1	1.5
cable length L in meter (= single length)	<b>cable resistance in Ohm = (R<sub>0</sub> x 2 x L) / A</b>						
5	1.27	0.71	0.52	0.36	0.24	0.18	0.12
10	2.54	1.42	1.05	0.71	0.47	0.36	0.24
15	3.81	2.14	1.57	1.07	0.71	0.53	0.36
20	5.09	2.85	2.09	1.42	0.95	0.71	0.47
25	6.36	3.56	2.62	1.78	1.19	0.89	0.59
30	7.63	4.27	3.14	2.14	1.42	1.07	0.71
35	8.90	4.98	3.66	2.49	1.66	1.25	0.83
40	10.17	5.70	4.19	2.85	1.90	1.42	0.95
45	11.44	6.41	4.71	3.20	2.14	1.60	1.07
50	12.71	7.12	5.24	3.56	2.37	1.78	1.19
75	19.07	10.68	7.85	5.34	3.56	2.67	1.78
100	25.34	14.24	10.47	7.12	4.75	3.56	2.37
125	31.79	17.80	13.09	8.90	5.93	4.45	2.97
150	38.14	21.36	15.71	10.68	7.12	5.34	3.56
175	44.50	24.92	18.32	12.46	8.31	6.23	4.15
200	50.86	28.48	20.94	14.24	9.49	7.12	4.75
225	57.21	32.04	23.56	16.02	10.68	8.01	5.34
250	63.57	35.60	26.18	17.80	11.87	8.90	5.93

**Example 1:** max. length at 1.5 mm<sup>2</sup> and 3 A → **214 m**

**Example 2:** max. length at 1.5 mm<sup>2</sup> and 6 A → **106 m**

**Example 3:** mixed wiring:  
R1 = 40 m in 1.5 mm<sup>2</sup> and R2 = 5 m in 0.25 mm<sup>2</sup>:  
(Control cabinet – sensor/actuator level) R1 = 0.95 Ohm, R2 = 0.71 Ohm  
**Total (R1 + R2) = 1.66 Ohm**

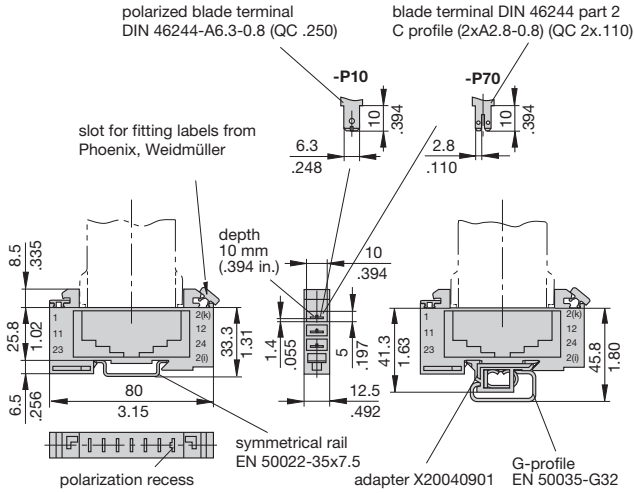
Accessories for ESS20-0..

**Single mounting sockets**  
(up to 16 A max. load)

**17-P10-Si**  
**17-P70-Si**

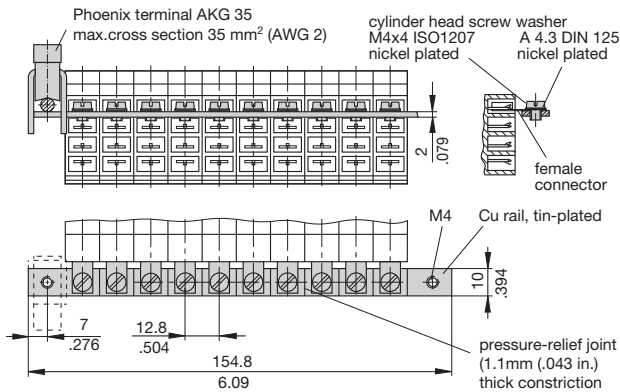
(with adapter)

**17-P10-Si-20025**  
**17-P70-Si-20025**

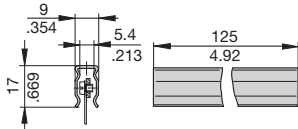


**Busbar (10-way)** (supplied as a complete package)  
**for type 17 socket**

(for max. 100 A continuous load),  
more positions available on request  
**X 211 157 01** with terminal  
**X 211 157 02** without terminal



**Insulating sleeving for busbar (10-way)**  
**Y 303 824 01**



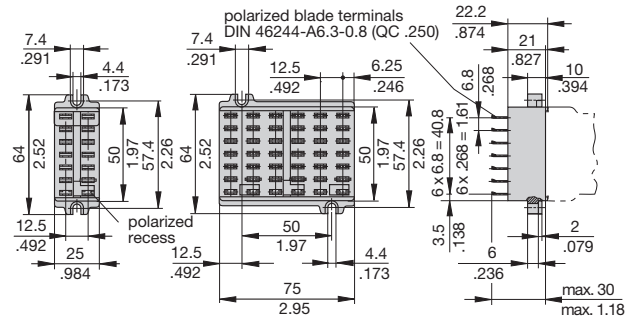
This is a metric design and millimeter dimensions take precedence ( $\frac{\text{mm}}{\text{inch}}$ )

All dimensions without tolerances are for reference only. In the interest of improved design, performance and cost effectiveness the right to make changes in these specifications without notice is reserved. Product markings may not be exactly as the ordering codes. Errors and omissions excepted.

**2-way mounting socket**  
**23-P10-Si**

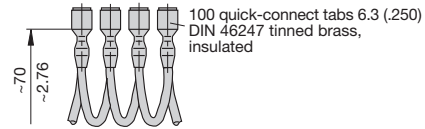
(retaining clip Y 300 581 03 available on request)

**6-way mounting socket**  
**63-P10-Si**



**Connector bus links -P10**

- X 210 588 01/ 1.5 mm<sup>2</sup>**, (AWG 16), brown (up to 13 A max. load)
- X 210 588 02/ 2.5 mm<sup>2</sup>**, (AWG 14), black (up to 20 A max. load)
- X 210 588 03/ 2.5 mm<sup>2</sup>**, (AWG 14), red (up to 20 A max. load)
- X 210 588 04/ 2.5 mm<sup>2</sup>**, (AWG 14), blue (up to 20 A max. load)



Dimensions

**Module 17plus**

For technical data see section Power Distribution Systems

