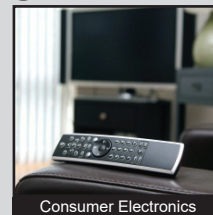
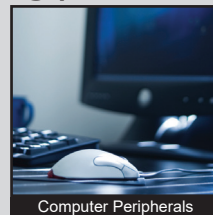
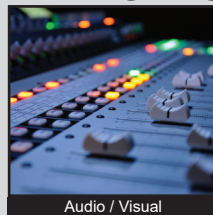


# TL1220 SERIES TACT SWITCH

ANTI-VANDAL SWITCHES  
 DETECTOR SWITCHES  
 DIP SWITCHES  
 KEYLOCK SWITCHES  
 NAVIGATION SWITCHES  
 PUSHBUTTON SWITCHES  
 ROCKER SWITCHES  
 ROTARY SWITCHES  
 SLIDE SWITCHES  
 SNAP ACTION SWITCHES  
**TACTILE SWITCHES**  
 TOGGLE SWITCHES  
 CAP OPTIONS



## APPLICATIONS / MARKETS



**RoHS**

## SPECIFICATIONS

**Electrical Rating:** 50mA @ 12VDC  
**Life Expectancy:** 500,000 cycles  
**Contact Resistance:** 100mΩ @ 1.5 VDC Max. Initial  
**Insulation Resistance:** 100 MΩ Min. at 500VAC  
**Dielectric Strength:** 500VAC for 1 min.  
**Operating Temperature:** -20°C to 70°C  
**Operating Force:** 180 gf ± 50gf  
**Travel:** 0.20mm ± 0.1mm  
**Contact Arrangement:** SPST

## FEATURES & BENEFITS

- Multiple illuminated cap options
- Single color and bi-color LED options
- Sharp tactile response

## PART NUMBER CONFIGURATOR

Series	Button	Bezel	Bezel Color	Button Color	LED Color	Graphic
<input type="checkbox"/> <input type="checkbox"/> <input type="checkbox"/> <input type="checkbox"/> <input type="checkbox"/> <input type="checkbox"/> TL1220	<input type="checkbox"/> <input type="checkbox"/> N - No Button S1 - 7.5mm sq. short S2 - 7.5mm sq. tall S3 - 10x14 rect.* S4 - 10x19 rect.* S5 - 12mm sq. * (W-tran. white only) S6 - 9.6x13.7 rect.* (T-tran. green only) R1 - 7.0mm dia. R2 - 8.0mm dia. R3 - 10.0mm dia. R4 - 13.0mm dia. w/ I/O* R5 - 8.0mm dia. (W-tran. white only)****	<input type="checkbox"/> N - No Bezel B - With Bezel	<input type="checkbox"/> N - No Bezel B - Black G - Gray	<input type="checkbox"/> N - No Button B - Black G - Gray R - Red S - Silver W - Translucent White** T - Translucent Green***	<input type="checkbox"/> N - No LED R - Red G - Green Y - Yellow B - Blue W - White RG - Red-Green RY - Red-Yellow RB - Red-Blue YG - Yellow-Green YB - Yellow-Blue GB - Green-Blue	<input type="checkbox"/> N - No Graphic

\* The S3, S4, S5, S6 and R4 buttons are not available with bezel options.

\*\* W-Translucent white is only available with R5 and S5 buttons

\*\*\* T-Translucent green is only available with S6 button

\*\*\*\* R5 is only available with bezel option

Specifications subject to change without notice 9.27.2018



**E-SWITCH®**

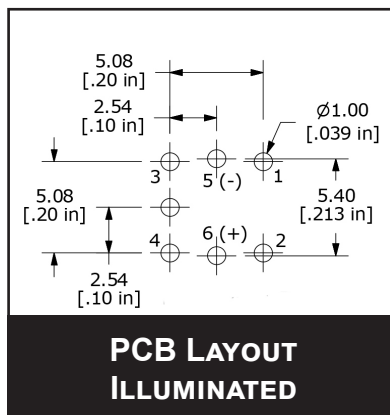
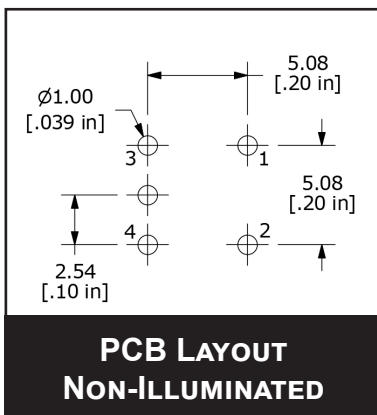
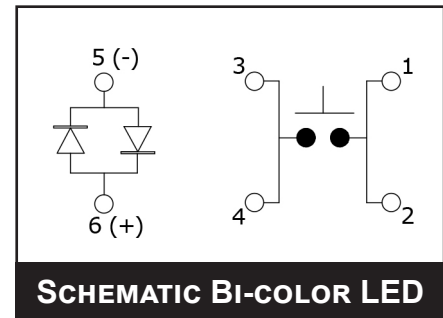
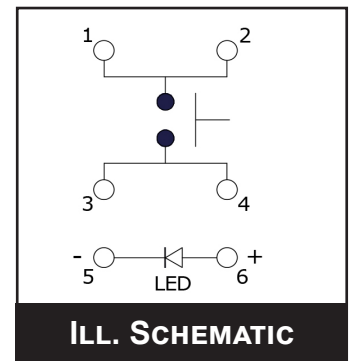
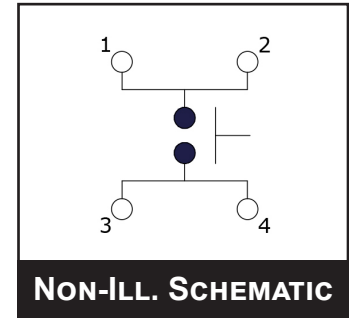
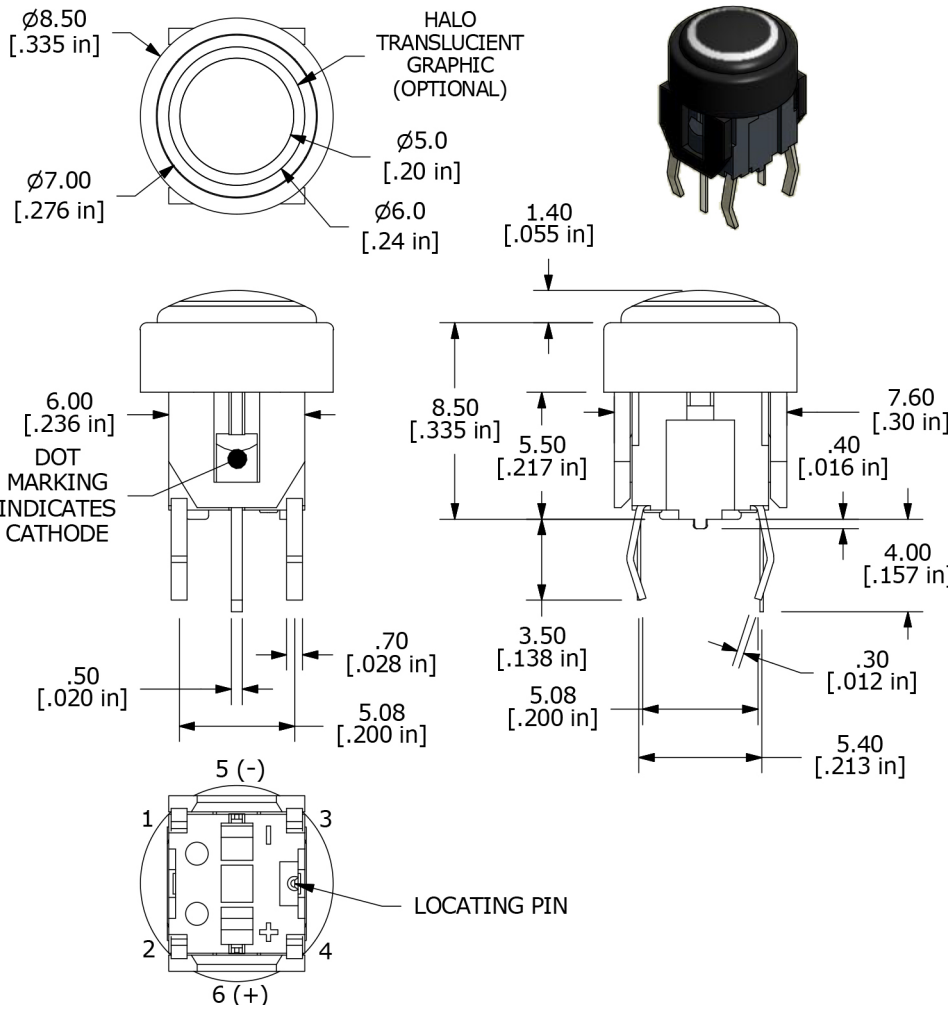
www.e-switch.com

800.867.2717

1

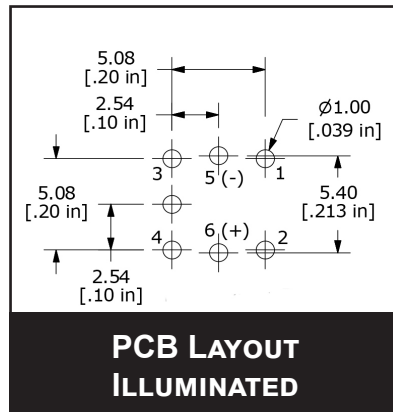
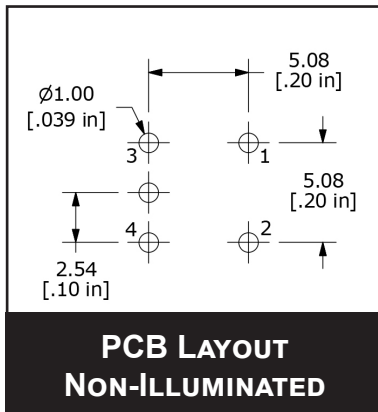
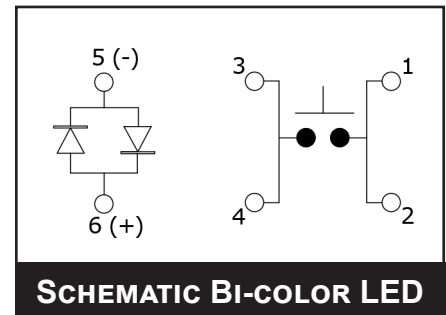
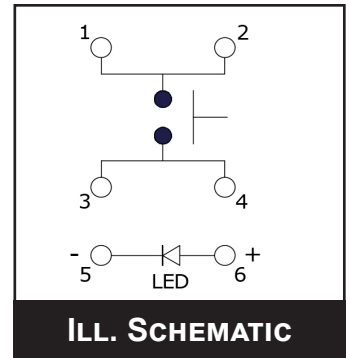
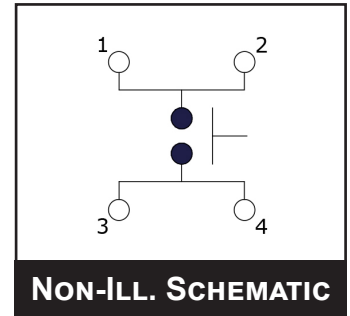
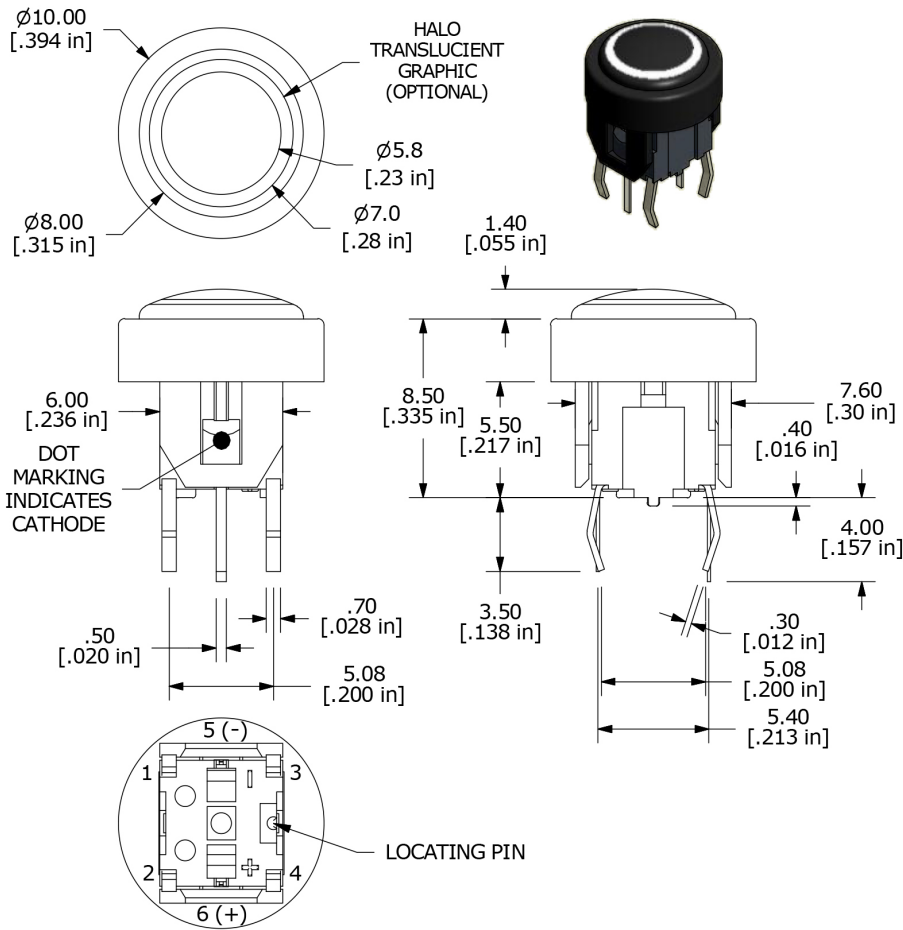
# TL1220 SERIES TACT SWITCH

## R1 BUTTON - 7MM DIA.

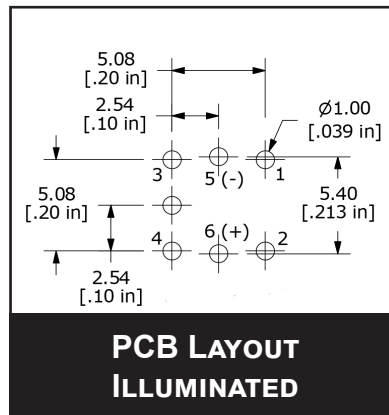
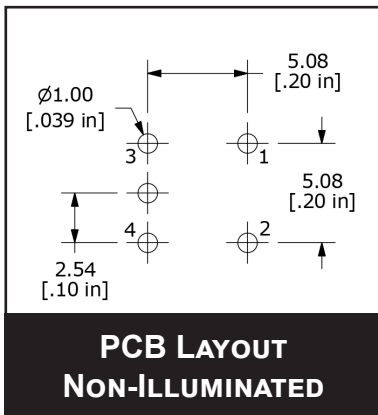
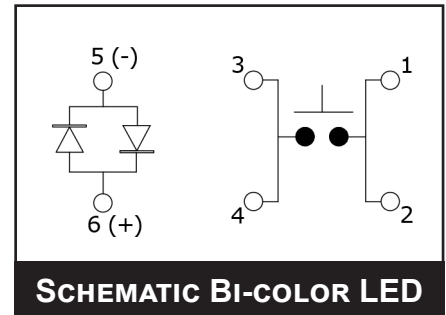
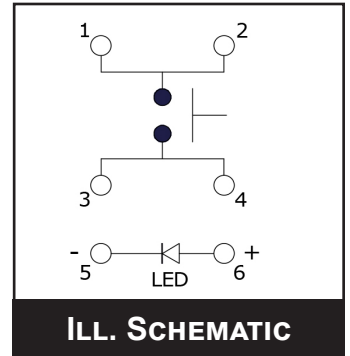
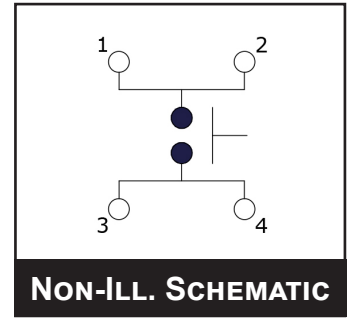
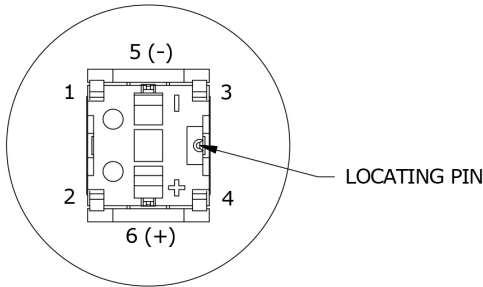
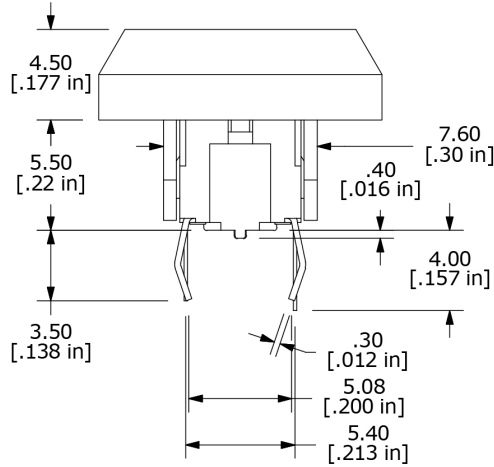
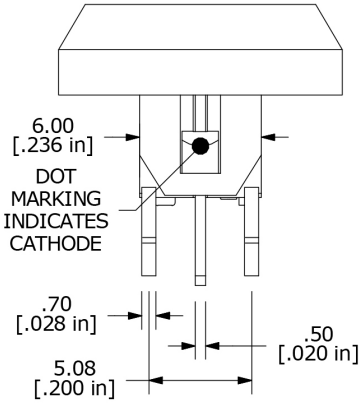
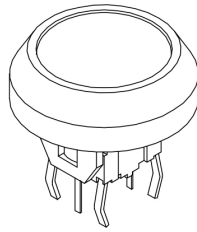
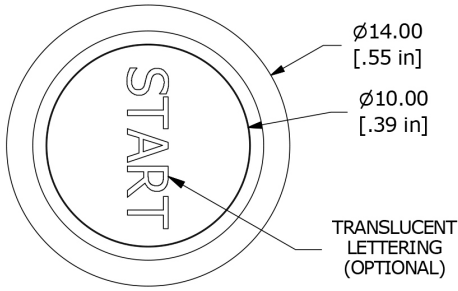


ANTI-VANDAL  
 DETECTOR SWITCHES  
 DIP SWITCHES  
 KEYLOCK SWITCHES  
 NAVIGATION SWITCHES  
 PUSHBUTTON SWITCHES  
 ROTARY SWITCHES  
 SLIDE SWITCHES  
 SNAP ACTION SWITCHES  
 TACTILE SWITCHES  
 TOGGLE SWITCHES  
 CAP OPTIONS

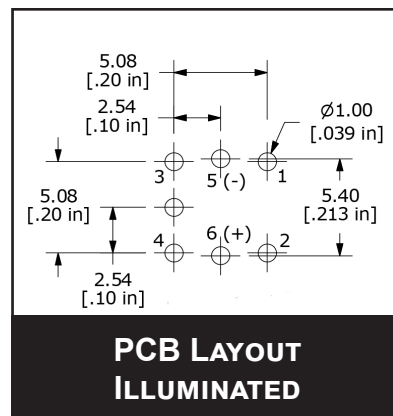
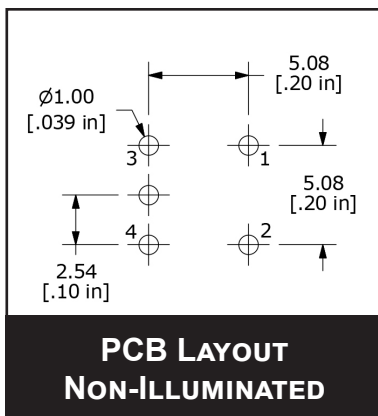
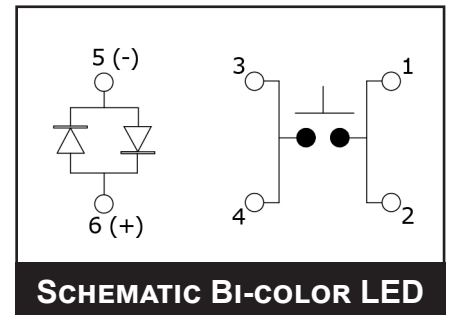
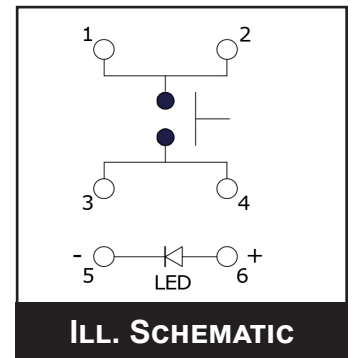
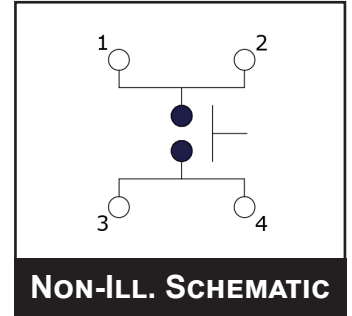
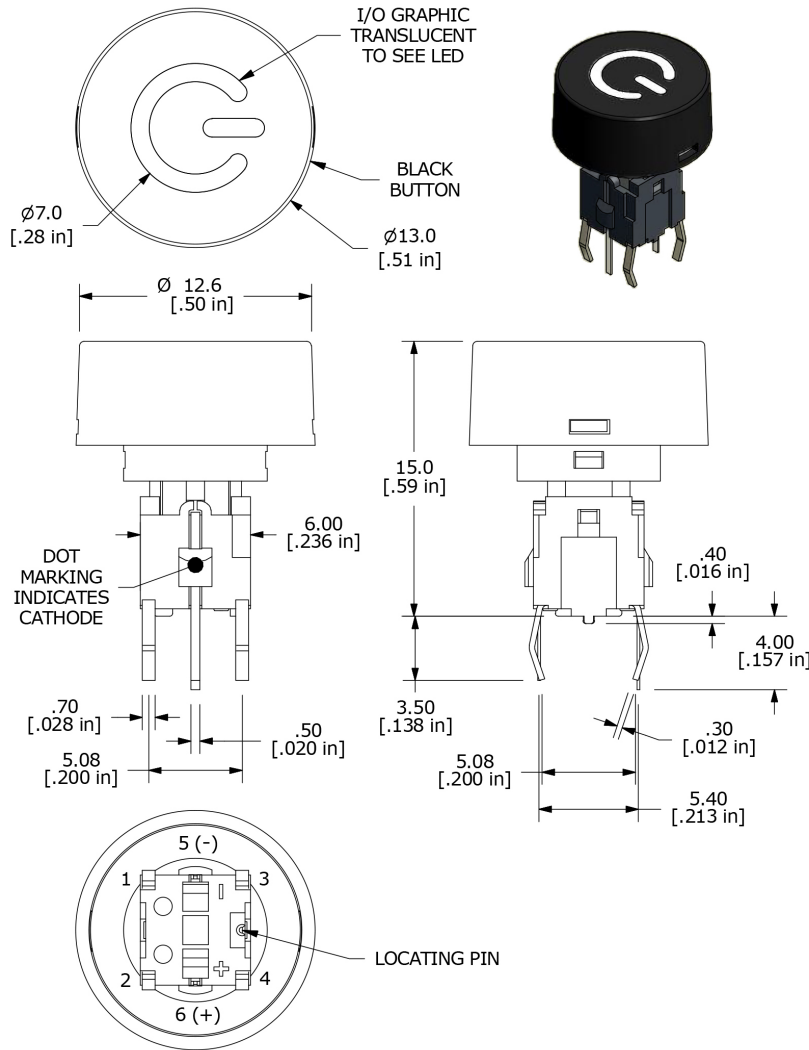
## R2 BUTTON - 8MM DIA.



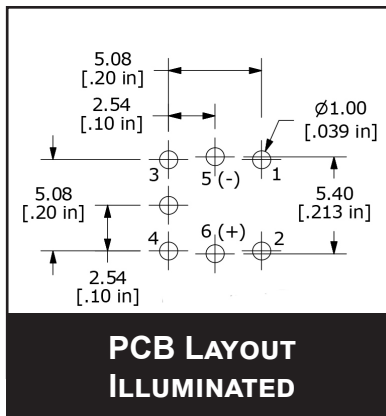
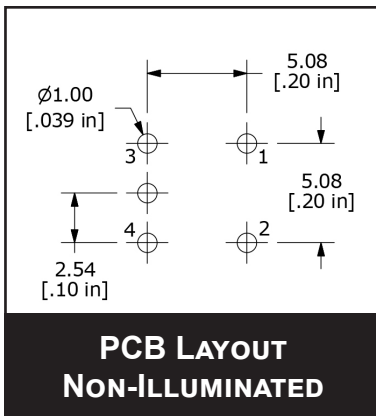
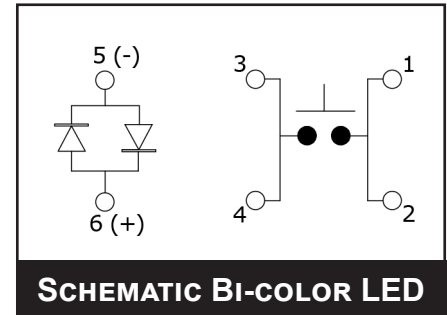
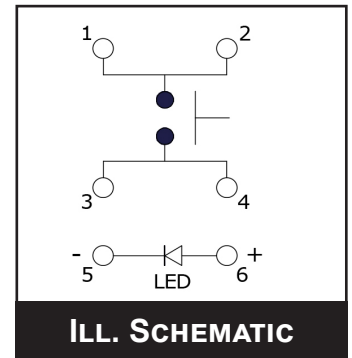
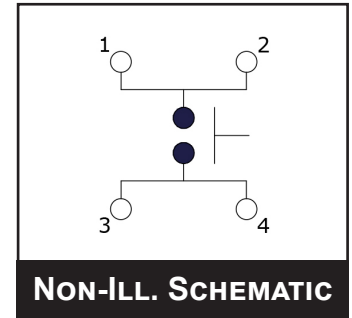
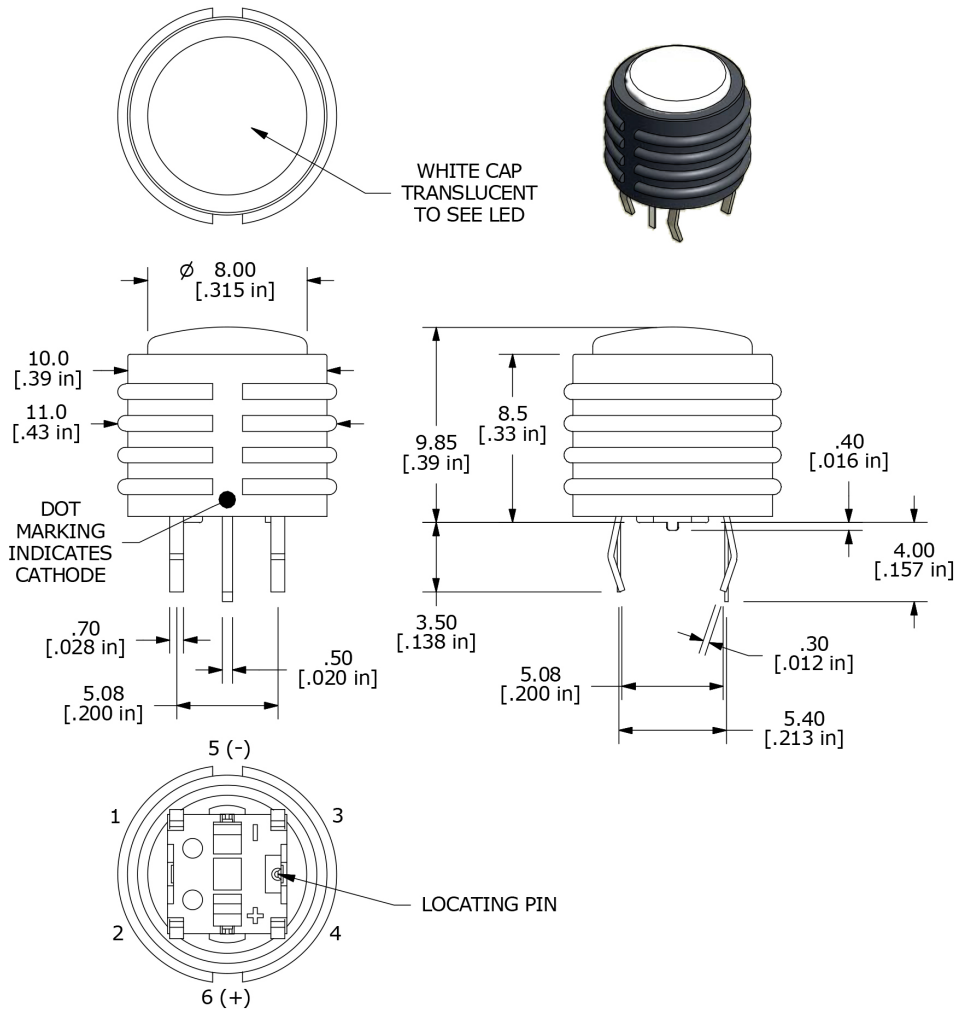
## R3 BUTTON - 10MM DIA.



## R4 BUTTON - 13MM DIA. W/ ILLUMINATED I/O



## R5 BUTTON - 8MM DIA. TRANSLUCENT

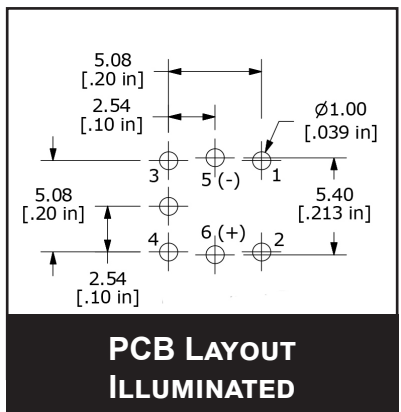
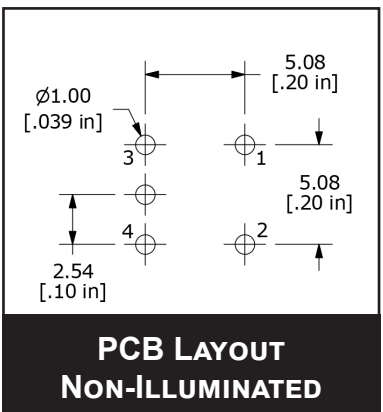
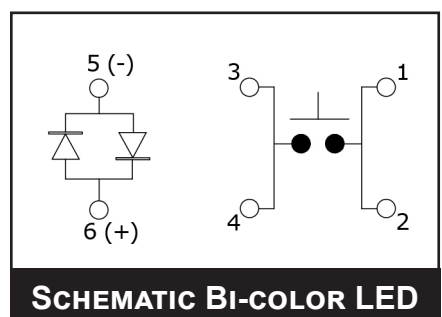
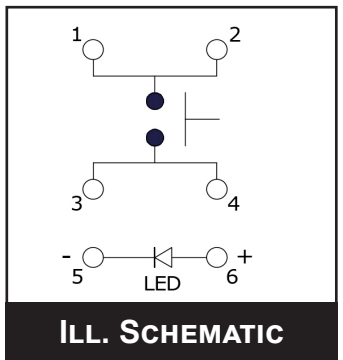
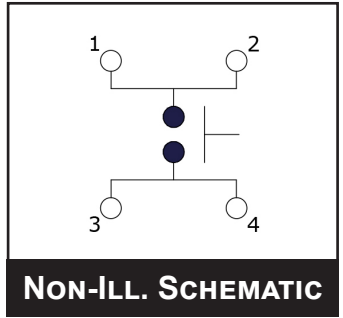
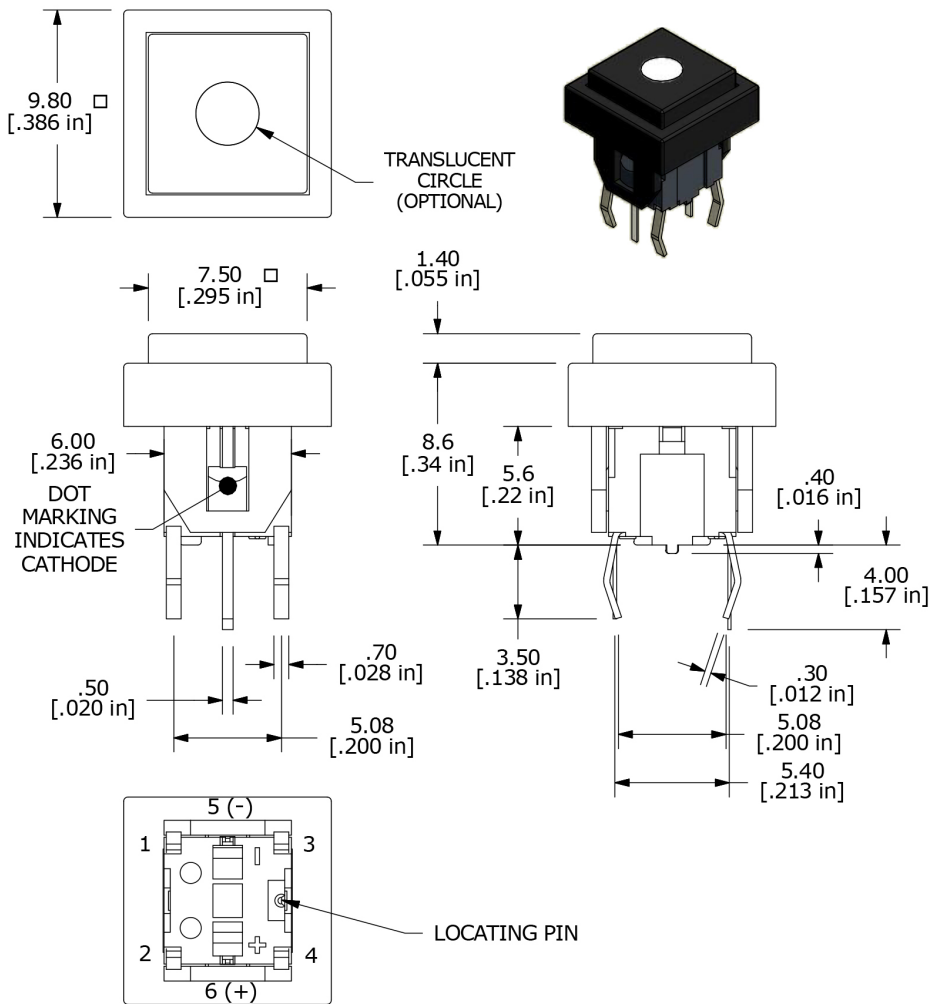


- ANTI-VANDAL SWITCHES
- DETECTOR SWITCHES
- DIP SWITCHES
- KEYLOCK SWITCHES
- NAVIGATION SWITCHES
- PUSHBUTTON SWITCHES
- ROCKER SWITCHES
- ROTARY SWITCHES
- SLIDE SWITCHES
- SNAP ACTION SWITCHES
- TACTILE SWITCHES
- TOGGLE SWITCHES
- CAP OPTIONS



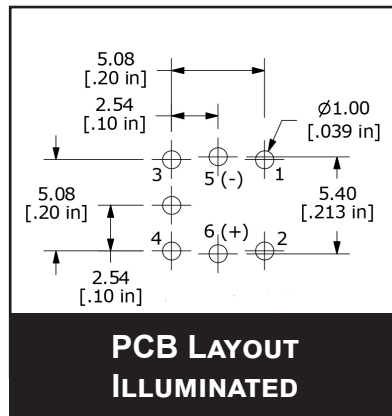
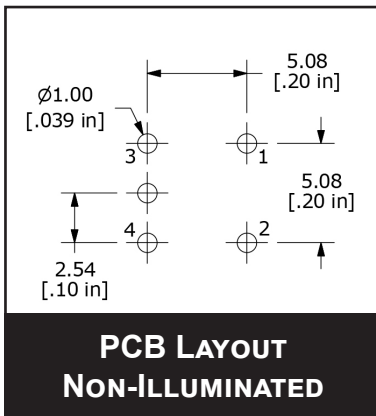
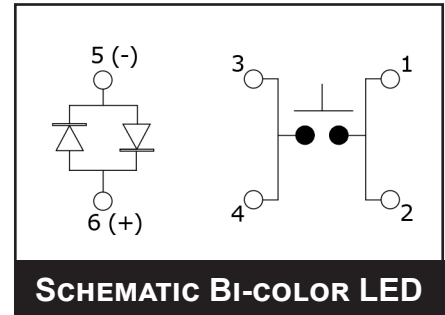
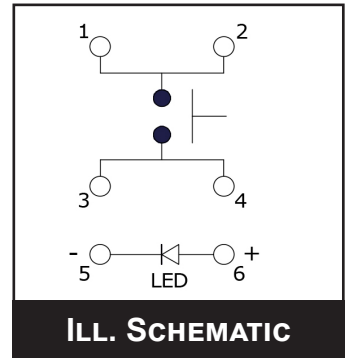
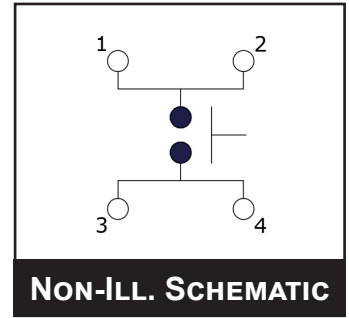
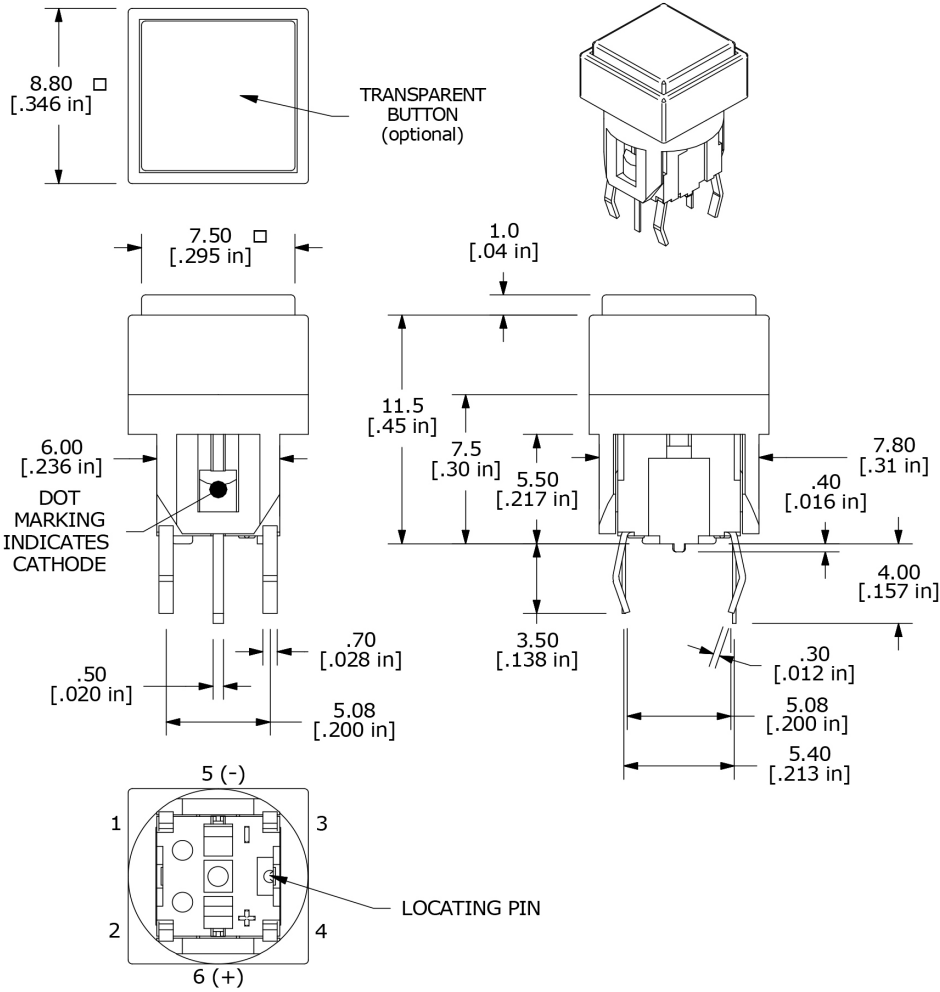
# TL1220 SERIES

## S1 BUTTON - 7.5MM SQUARE SHORT



# TL1220 SERIES

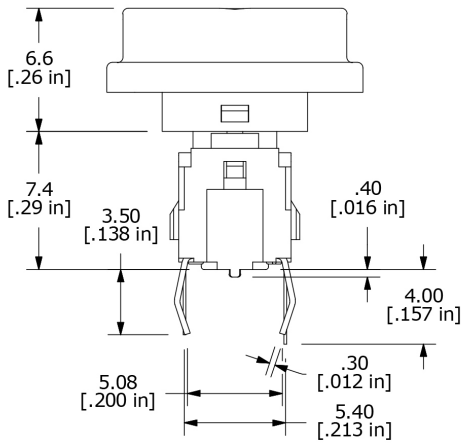
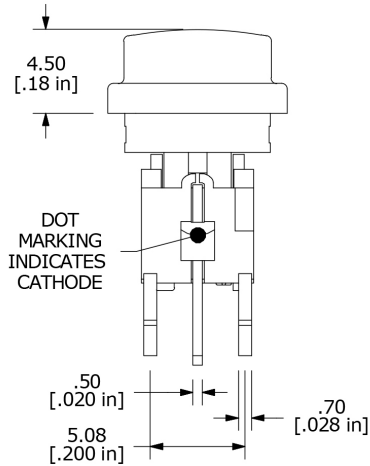
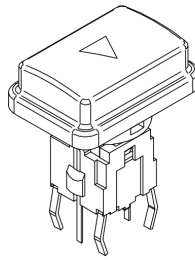
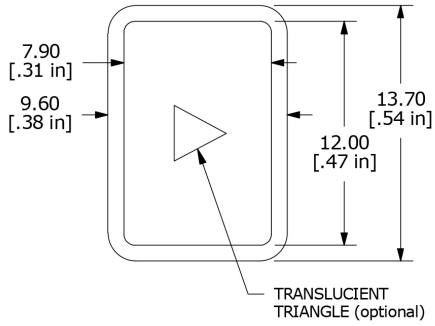
## S2 BUTTON - 7.5 MM SQUARE TALL



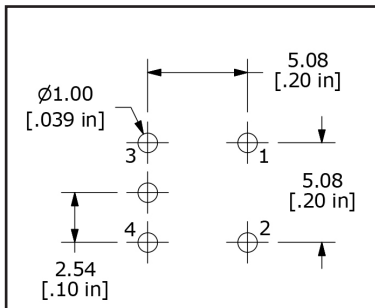
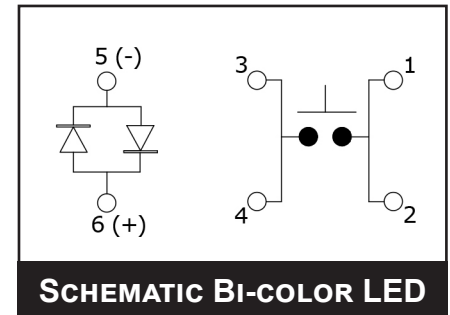
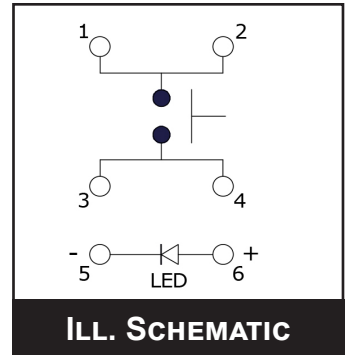
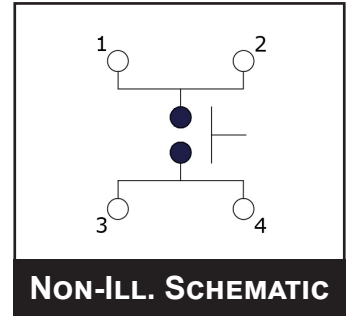
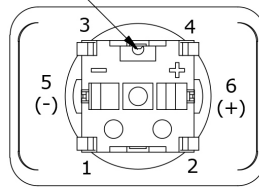
ANTI-VANDAL  
DETECTOR  
SWITCHES  
DIP  
SWITCHES  
KEYLOCK  
SWITCHES  
NAVIGATION  
SWITCHES  
PUSHBUTTON  
SWITCHES  
ROCKER  
SWITCHES  
ROTARY  
SWITCHES  
SLIDE  
SWITCHES  
SNAP ACTION  
SWITCHES  
TACTILE  
SWITCHES  
TOGGLE  
SWITCHES  
CAP  
OPTIONS



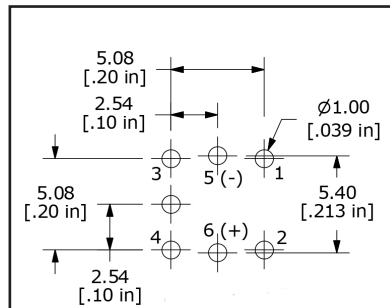
## S3 BUTTON - 10x14MM RECTANGLE



LOCATING PIN



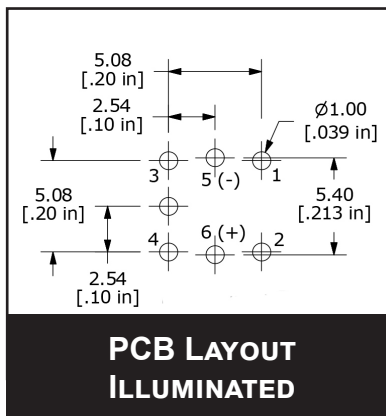
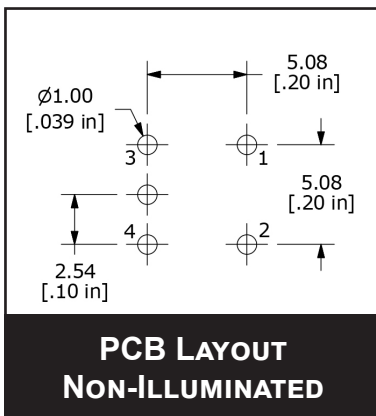
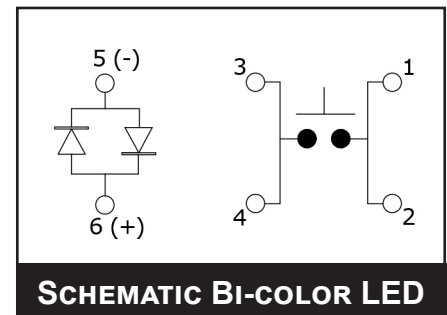
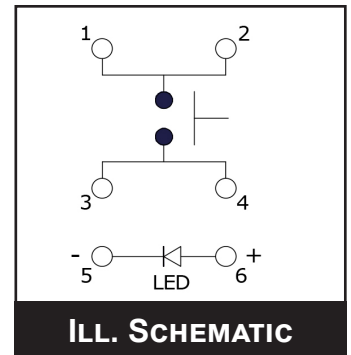
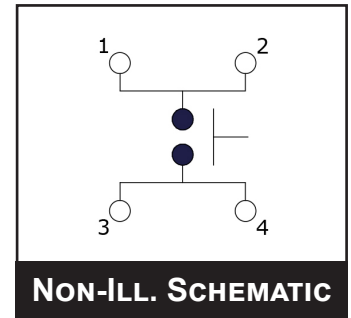
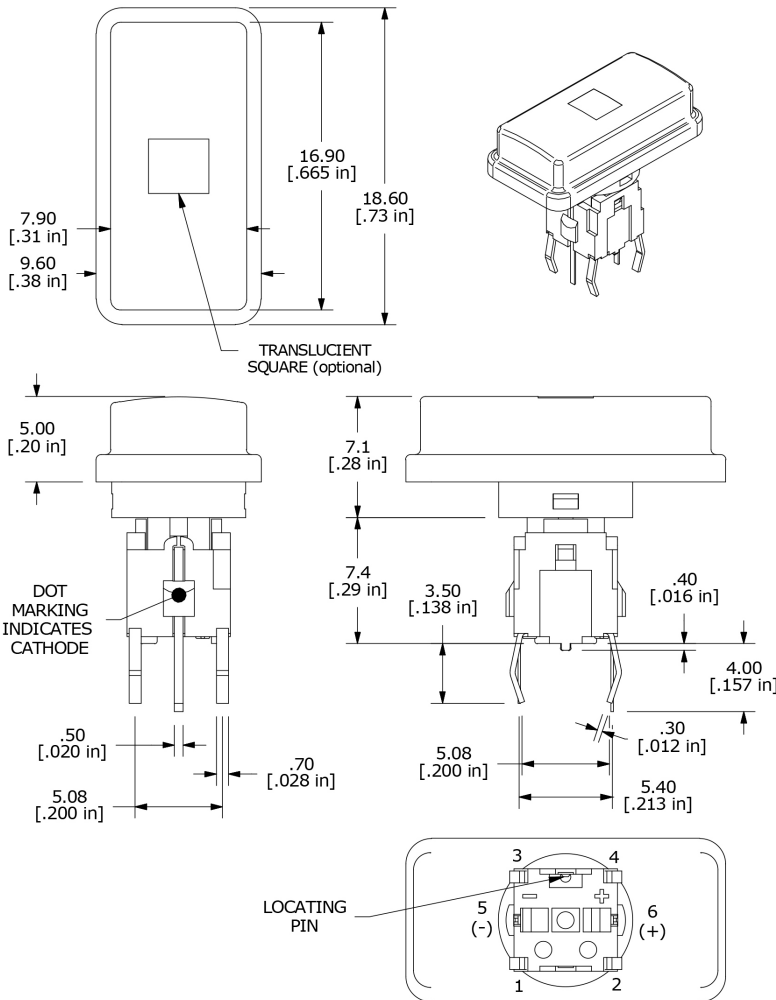
**PCB LAYOUT  
NON-ILLUMINATED**



**PCB LAYOUT  
ILLUMINATED**



## S4 BUTTON - 10x19MM RECTANGLE

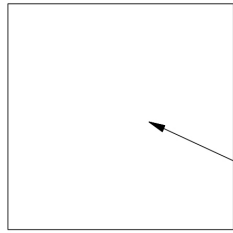


- ANTI-VANDAL SWITCHES
- DETECTOR SWITCHES
- DIP SWITCHES
- KEYLOCK SWITCHES
- NAVIGATION SWITCHES
- PUSHBUTTON SWITCHES
- ROCKER SWITCHES
- ROTARY SWITCHES
- SLIDE SWITCHES
- SNAP ACTION SWITCHES
- TACTILE SWITCHES
- TOGGLE SWITCHES
- CAP OPTIONS

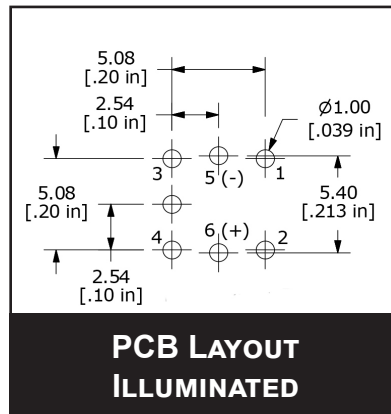
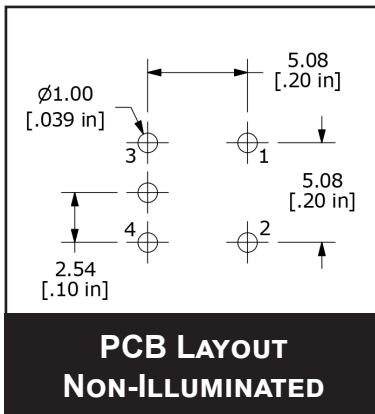
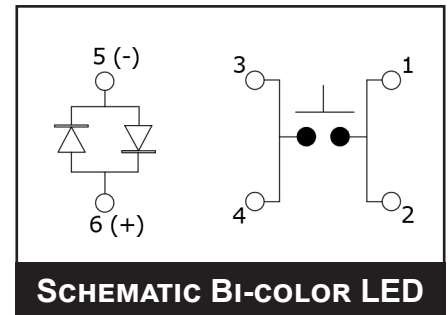
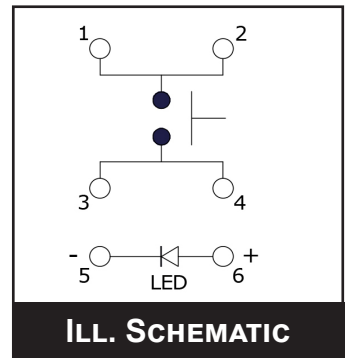
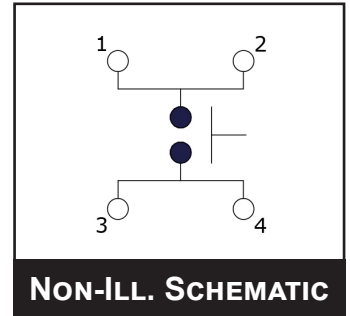
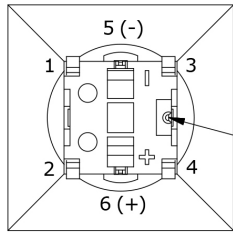
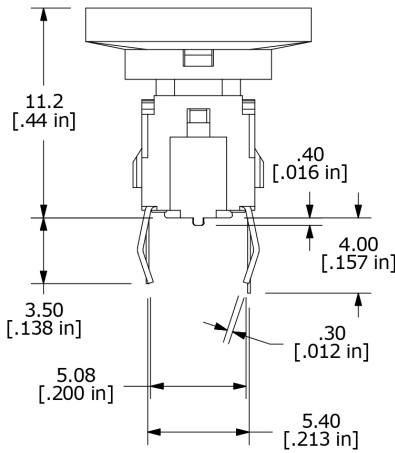
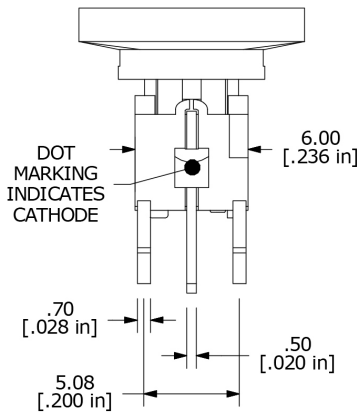
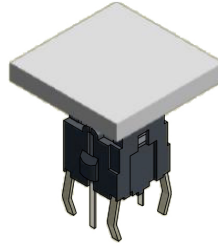


## S5 BUTTON - 12MM SQUARE

□ 12.00  
[.472 in]



WHITE CAP  
TRANSLUCENT  
TO SEE LED



## S6 BUTTON - 9.6x13.7MM RECTANGLE GREEN TRANSLUCENT

