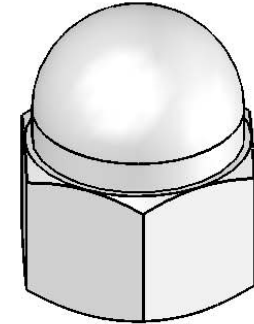
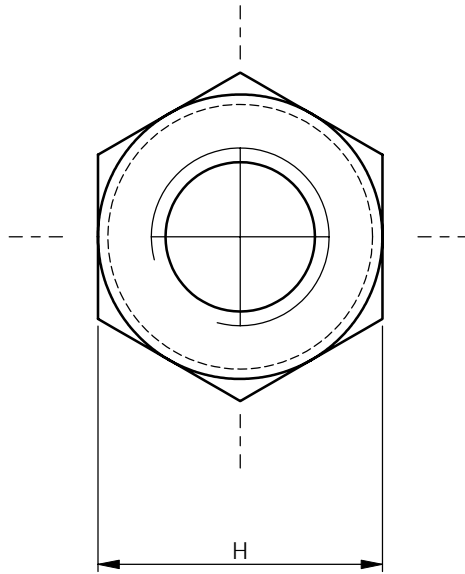
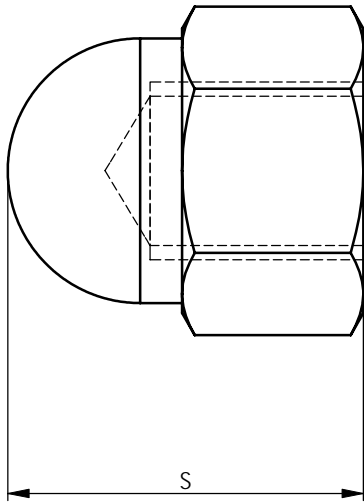


AVAILABLE BY SPECIAL ORDER ONLY

REV.	MODIFICATION.	DATE	DRN
01	NEW DRAWING	19/10/04	NJB
02	ECN 2005-033	03/03/05	NJB
03	ECN 2006-050	17/03/06	OW
04	ECN 2007-056	30/03/07	SF
05	CO2010634	23/04/09	SF
06	CO2010817	15/09/09	OW



ALTERNATE DIMS FOR REFERENCE ONLY

INFORMATION CONTAINED IN THIS DOCUMENT IS CONFIDENTIAL TO RICHCO INTERNATIONAL Co. Ltd. AND MAY NOT BE DISCLOSED OR REPRODUCED IN WHOLE OR PART WITHOUT THEIR WRITTEN CONSENT

**RICHCO, INC.**  
WWW.RICHCO-INC.COM

METRIC GENERAL TOLERANCES  $\pm 0.25$   
ARE PRIMARY UNLESS OTHERWISE STATED  
1 DECIMAL PLACE  $\pm$   
2 DECIMAL PLACES  $\pm$   
ANGULAR  $\pm 1^\circ$

IMPERIAL GENERAL TOLERANCES  $\pm 0.010$   
ARE FOR REFERENCE UNLESS OTHERWISE STATED  
1 DECIMAL PLACE  $\pm$   
2 DECIMAL PLACES  $\pm$   
ANGULAR  $\pm 1^\circ$

PART REF	S	H
NNE-1587-M3	6[.237]	5.5[.217]
NNE-1587-M4	8[.315]	7[.276]
NNE-1587-M5	10[.394]	8[.315]
NNE-1587-M6	12[.473]	10[.394]

MATERIAL: NYLON 6/6 (RMS-174)		COLOUR: NATURAL	
TITLE: DOMED HEX NUT		PART No: NNE-1587-MX	
DRG No: 04-120	NPR REF:		SIZE A4
DRN NJB	DATE 19/10/04	CHKD I.C	DATE 19/10/04
SCALE NTS	SHEET No 1 OF 1		